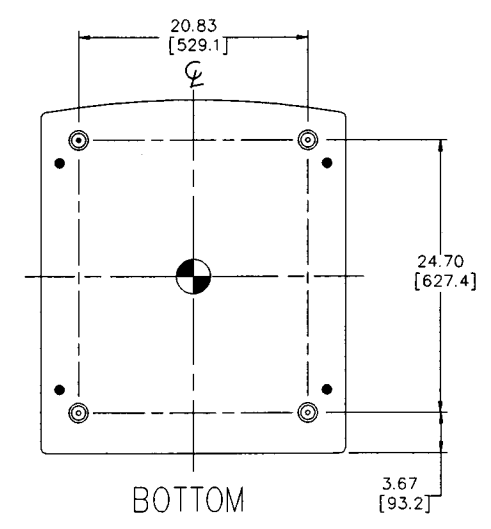
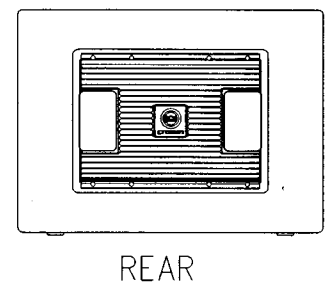
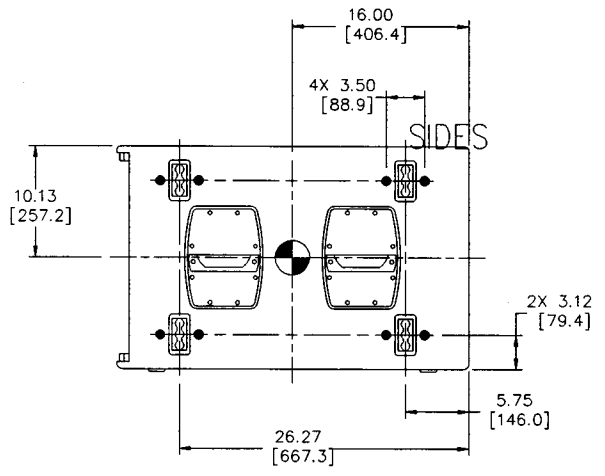
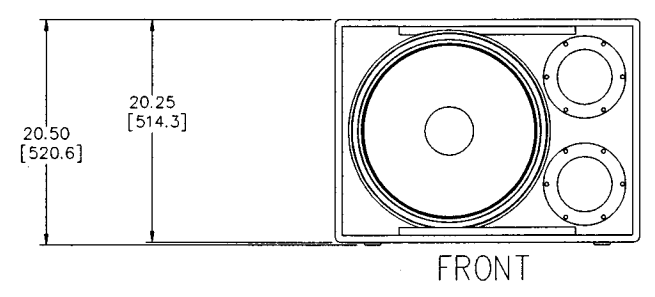
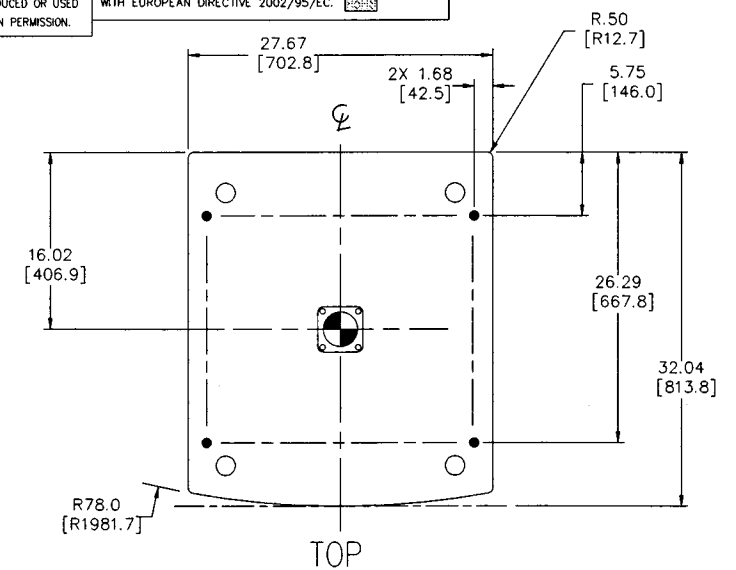


THESE DRAWINGS AND SPECIFICATIONS ARE THE PROPERTY OF JBL INCORPORATED. THEY ARE ISSUED IN STRICT CONFIDENCE AND SHALL NOT BE REPRODUCED OR USED AS THE BASIS FOR MANUFACTURE OR APPARATUS WITHOUT WRITTEN PERMISSION.

ALL MATERIAL SPECIFIED ON THIS DRAWING SHALL COMPLY WITH EUROPEAN DIRECTIVE 2002/95/EC.

REVISIONS						
CHG	LTR	DESCRIPTION	DRFT	DC	DATE	APPR
31291	A	RELEASE TO MARKETING	TH	3-27		BY 1/10/06



1. COMPONENTS: LF - 1X 2268G
2. INPUT CONNECTORS: XLR WITH LOOP THROUGH.
3. GRILL: 14 GA. PERFORATED CRS, POWDERCOATED BLACK, BLACK FOAM BACKING.
4. MATERIALS: 16MM (5/8") FINNISH BIRCH PLYWOOD.
5. FINISH: BLACK DURAFLEX
6. SUSPENSION POINTS: "•" 18 TOTAL; 6 EA TOP AND BOTTOM, 2 EA SIDE, 2 REAR; (12 EA -M10 THREAD PATTERN, 6 EA - 3-POS FLY TRACK)
7. WEIGHT: 34.0 kg (75 LBS)
8. CENTER OF GRAVITY (CG) ●

NOTES: (UNLESS OTHERWISE SPECIFIED)

TOLERANCES
(UNLESS OTHERWISE SPECIFIED)
 X.XX ± .063 INCH
 X.X ± .125 INCH
 ANGULAR TOLERANCE OF 0°±30'
 FRACTIONAL DIMENSIONS ± 1/32
 • DIMENSIONS ARE INCHES
 • ALL DIMENSIONS ARE FINISHED DIMENSIONS
 • DO NOT SCALE DRAWING

		JBL PROFESSIONAL A Harman International Company Northridge, California 91329 U.S.A.	
		TITLE CUSTOMER DRAWING: VPSB7118	
SIZE A	DRAWING NO. 362336	REV A	
SCALE NTS		SHEET 1 OF 1	