

# Control® 14C/T

## Professional Series – Two-Way 4" Coaxial Ceiling Loudspeaker



### Key Features:

- Components:
  - 100 mm (4.0 in) high output driver with polypropylene cone and butyl rubber surround
  - 19 mm (0.75 in) [liquid cooled soft-dome](#) tweeter
- Blind-mount backcan for quick and easy install
- Dual conduit/cable clamps
- Combined 70V/100V and low impedance direct operation:
  - 30W at 8Ω nominal setting
  - 25W multi-tap at 70V/100V
- 74 Hz – 20 kHz bandwidth with wide 120° coverage
- White or black (-BK)



Included grille not shown

### Description:

Control 14C/T is a full-range ceiling speaker consisting of a 100 mm (4 inch) [high-tech](#) cone driver and a 19 mm [liquid cooled soft-dome](#) tweeter mounted in a vented, paintable baffle made of UV resistant UL94-V0 and UL94-5HB material, with a pre-attached blind-mount backcan for quick and easy installation. The speaker is designed to provide excellent sound quality for a wide variety of medium volume applications such as music cafes, business music systems, retail stores, music/paging systems, airports, reception/waiting rooms, lounges, courtrooms, convention centers, hotels, educational facilities, and more.

The 120° coverage delivers consistent sound quality for listeners located both off and on axis.

The [high-technology](#) 100 mm (4.0 in) low-frequency driver is designed with a lightweight, [high-temperature](#) anodized aluminum voice coil former and [high-temperature-grade](#) voice coil for stable performance and reliability under long-term/[high-power](#) working conditions. The butyl rubber surround provides long-term durability and excellent sonic damping while the polypropylene cone is water and humidity resistant. The FEA-optimized motor construction and cone geometry, along with

linear suspension spider design, allows for a smooth frequency response and more consistent off-axis performance. The 19 mm (3/4 in) high frequency driver features a highly damped [and](#) treated silk dome for clear and warm sound, a lightweight Kapton™ voice coil for better high frequency response and excellent reliability, low viscosity liquid cooling for power handling and reliability, and a wide dispersion waveguide design to produce wide coverage and smooth frequency response.

The removable locking connector has screw terminals for secure wire termination and “loop through” terminals. A dual strain relief assembly provides clamping for use with cable or flex conduit.

Ideal for a wide variety of projects, the Control 14C/T is switchable for use as either an 8 ohm low-impedance speaker or as part of a 70V or 100V distributed loudspeaker system with a [25W](#) multi-tap transformer. The speaker comes complete with two tile rail supports, one C-ring support backing plate, cutout template, paint shield, and grille. A safety seismic attachment ring is provided on the top surface. Available in white or black (-BK).

### Preliminary Specifications:

System	
Frequency Range (-10 dB) <sup>1</sup>	74 Hz – 20 kHz
Frequency Response (±3 dB) <sup>1</sup>	100 Hz – 20 kHz
Power Capacity (at low-Z) <sup>2</sup>	60W Continuous Program Power 30W Continuous Pink Noise
Nominal Sensitivity <sup>3</sup>	87 dB
Nominal Coverage Angle <sup>3</sup>	120° conical coverage
Directivity Factor (Q) <sup>3</sup>	7.6
Directivity Index (DI) <sup>3</sup>	8.1 dB
Rated Maximum SPL	102 dB @ 1 m (3.3 ft) average, 108 dB peak
Nominal Impedance	8 ohms (in direct/bypass 8Ω setting)
Transformer Taps	25 W, 12.5 W, 6.3 W @ 70V or 100V (plus 3.2 W @ 70V only)
Crossover Network	12 dB/oct (2nd order) low-pass to LF driver, 12 dB/oct (2nd order) high-pass to HF driver

Transducers	
LF Driver	100 mm (4.0 inch) with polypropylene cone, butyl rubber surround, anodized aluminum voice coil former, <a href="#">high-temperature</a> voice coil
HF Driver	19 mm (3/4 in), <a href="#">highly damped and treated silk dome</a> , Kapton™ voice coil, liquid cooling, wide dispersion waveguide
Enclosure	
Input Connector	Removable locking 4-pin connector with screw-down terminals. Max wire size 12 AWG (2.5 mm <sup>2</sup> ).
Connector Wiring	Pin 1 = + In Pin 2 = - In Pin 3 = + Loop Thru Pin 4 = - Loop Thru
Strain Reliefs:	Strain relief for two cables or two flex conduits via coupled clamping mechanism

# Control® 14C/T

Professional Series – Two-Way 4" Coaxial Ceiling Loudspeaker



## Specifications (Continued):

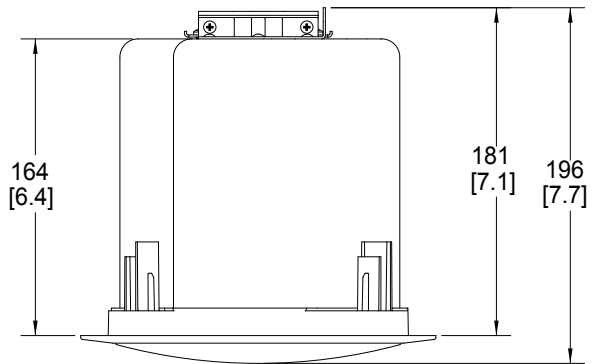
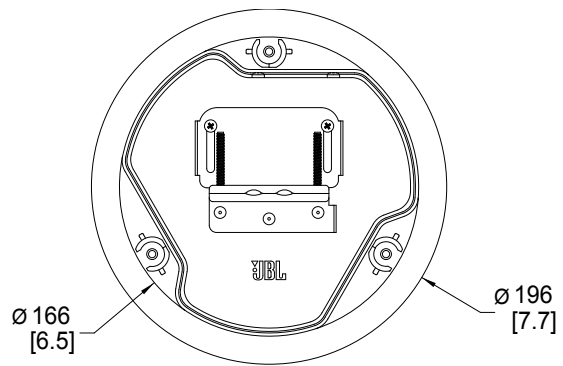
Materials	ABS baffle with UL94-V0 and UL94-5VB flame class fire rating; zinc-plated steel backcan
Safety Agency	UL1480, UL2043, NFPA90 & NFPA70; S7232/UL listed; suitable for use in air handling spaces, signaling speaker; transformer UL registered per UL1876; ROHS, C-tick N108, CE compliant; baffle meets UL94-V0 and UL94-5VB flammability rating; in accordance with IEC60849/EN60849 systems
Dimensions	196 mm diameter x 181 mm depth from back of baffle (7.7 in diameter x 7.1 in depth)
Ceiling Cutout Size	Circular cutout with 170 mm (6.7 in) diameter (cardboard cutout template included)
Ceiling Thickness Range	Up to 35 mm (1.4 in) with stock dogears; MTC-TCD thick-ceiling dogears available for up to 55 mm (2.2 in) ceiling thicknesses
Safety Seismic Attachment	One point, top surface
Net Weight	2.2 kg (4.8 lbs, one speaker)
Shipping Weight	8.2 kg (17.9 lbs, pair in master carton)

Included Accessories	<ul style="list-style-type: none"> <li>» C-ring support backing plate</li> <li>» 2 tile support rails (for 2 ft or 600 mm tile spans; optional MTC-48TR extension available for larger 4 ft or 1200 mm tile spans)</li> <li>» Cutout template</li> <li>» Paint shield</li> <li>» Removable locking multi-pin connector</li> <li>» Grille</li> </ul>
Optional Accessories	<ul style="list-style-type: none"> <li>» MTC-24NC new construction bracket</li> <li>» MTC-24MR mud-ring construction bracket</li> <li>» MTC-TCD thick-ceiling dogears for ceiling thicknesses up to 55 mm (2.2 in, ordering one set = 24 dogears for 8 speakers)</li> <li>» MTC-48TR tile rail for 1200 mm (4 ft) tile spans</li> <li>» MTC-14WG (&amp; 14WG-BK) high-humidity grille</li> </ul>

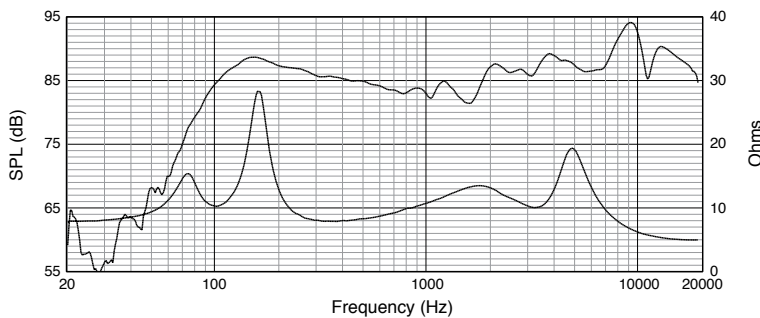
<sup>1</sup> Half-space (flush mounted in ceiling)  
<sup>2</sup> Continuous Pink Noise Rating is IEC-shaped pink noise with a 6 dB crest factor for 100 hours continuously. Continuous Program Power is a conservative expression of the system's ability to handle normal speech and music program material, and is defined as 3 dB above the Continuous Pink Noise Rating.  
<sup>3</sup> Half-space (in ceiling) average 1 kHz to 16 kHz  
 JBL continually engages in research related to product improvement. Changes introduced into existing products without notice are an expression of that philosophy.

## Mounting Dimensions:

Dimensions in mm (inches)



## Frequency Response, Impedance:



Frequency response in half-space (2pi, mounted in ceiling), impedance at 8Ω (low-impedance) setting