

5628

Ultra-Long-Excursion, High Power, Dual 460 mm (18 in) Cinema Subwoofer



Key Features:

- 2 x 2269H 18" Differential Drive® dual voice coil, dual gap, neodymium magnet transducers
- 2000 W AES 2-hour power rating at 4 ohms
- Ultra-long excursion capability
- Large vent area for high output with low distortion



Description:

The 5628 is a high power, lightweight, front-loaded, vented subwoofer enclosure housing two of JBL's exclusive 2269H ultra-long excursion 18" Differential Drive® woofers. The 2269H woofer features a neodymium magnet, dual voice coils, JBL's exclusive Vented Gap Cooling™ and an ultra-robust composite cone for high excursion and extra-long life. The woofer is capable of a peak-to-peak maximum excursion of 89 mm (3.5"). The enclosure is constructed of dense stock and is extensively braced on all panels.

Specifications:

System	
Frequency Range (-10 dB)	2 pi: 18 Hz – 1.63 kHz 4 pi: 19 Hz – 1.75 kHz
Frequency Response (± 3 dB)	2 pi: 24 Hz – 155 Hz 4 pi: 27 Hz – 1.5 kHz
Input Modes	Drivers, Discrete
Power Handling ² (AES 100-Hour Rating)	800 W @ 8 ohms, 1600 W @ 4 ohms (80 Vrms), IEC/pink
Power Handling ² (AES 2-Hour Rating)	1000 W @ 8 ohms, 2000 W @ 4 ohms (89 Vrms), IEC/pink
Maximum Continuous Output ³	134.5 dB SPL (1m)
Free-Field Sensitivity	95 dB (1 W/1m), ref 2.0 V
Half-Field Sensitivity	101 dB (1 W/1m), ref 2.0 V
Maximum Peak Output	140.5 dB SPL (1m)
Nominal Impedance	4 ohms (in parallel) (2x) 8 ohms in (discrete drive)
Minimum Impedance	3 ohms (in parallel) @ 27.4Hz (2x) 6 ohms (discrete drive)
Transducers	
Low Frequency Transducers	2 x 2269H; 460 mm (18 in) diameter; 100 mm (4 in) dual-coil, dual-gap neodymium Differential Drive® VGC™ drivers

Physical	
Enclosure	19 mm (0.75 in) particle board with 25 mm (1 in) baffle and back panel; extensive bracing on all panels
Input Connector	(2x) +/-Push Terminals for up to 12 AWG wire
Dimensions (H x W x D) (Vertical Cabinet Orientation)	762 x 1219 x 610 mm (30.0 x 48.0 x 24.0 in)
Net Weight	90.5 kg (199 lb)
Shipping Weight	99.5 kg (219 lb)

¹AES standard, one decade pink noise with 6 dB crest factor within device's operational band, free air. Standard AES 2-hr rating plus long-term 100-hr rating are specified for low-frequency transducers.

²Calculated based on power rating and sensitivity, exclusive of power compression. JBL continually engages in research related to product improvement. Some materials, production methods and design refinements are introduced into existing products without notice as a routine expression of that philosophy. For this reason, any current JBL product may differ in some respect from its published description, but will always equal or exceed the original design specifications unless otherwise stated.

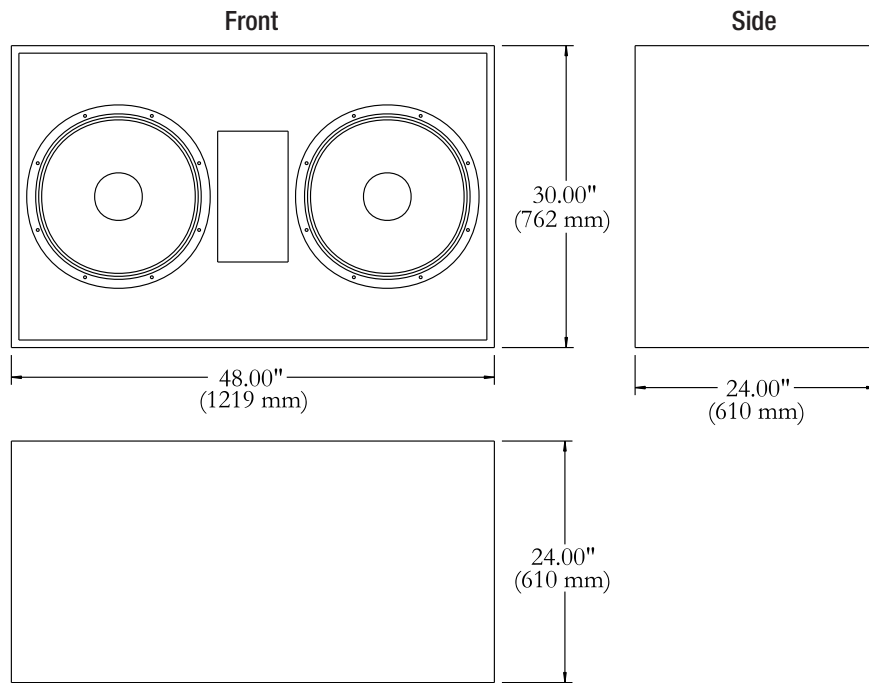
5628

Ultra-Long-Excursion, High Power, Dual 460 mm (18 in) Cinema Subwoofer



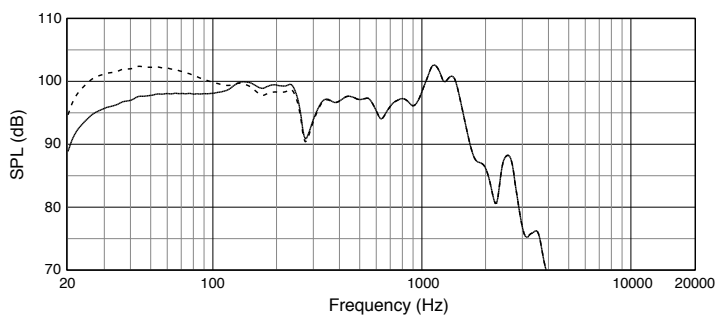
Dimensions:

Dimensions inches (mm)



Graphs:

Frequency response is measured on-axis at a distance referenced to 1 watt (2.0 Vrms) input @ 1 m; measured in half-space (2 π, dotted line) and full-space (4 π, solid line) environments.



Electrical Input Impedance (parallel mode)

