



SB210 Input Modules

Optional input modules allow the JBL Control SB210 Subwoofer to be used in a wide variety of applications.

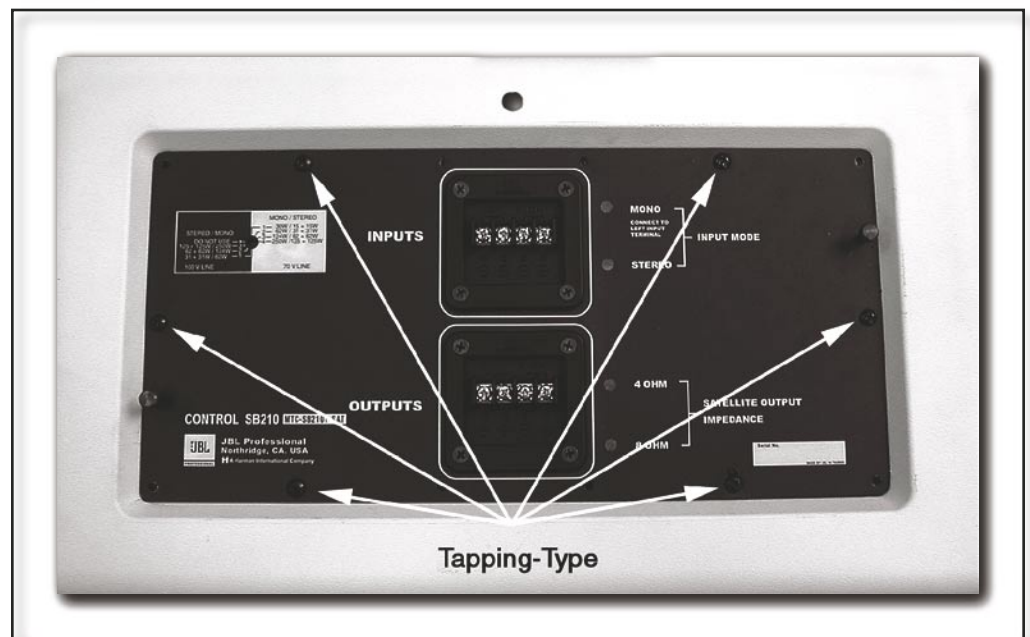
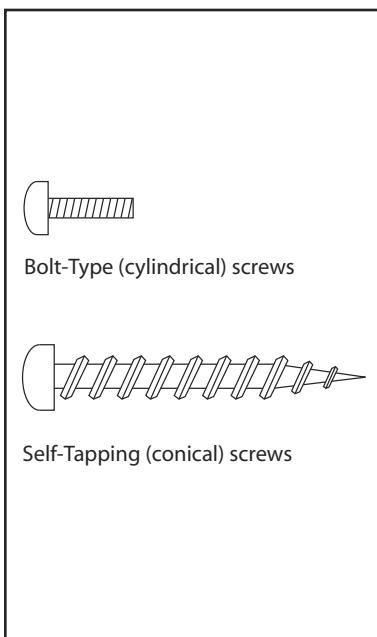
INSTALLATION INSTRUCTIONS

- 1) Remove all the screws surrounding the perimeter of the stock input module.

IMPORTANT

Most of the screws are bolt - type (cylindrical shaped). Note the positions of the SIX tapping - type (conical-shaped) screws. The bolts need to go back into these exact hole locations - See diagram.

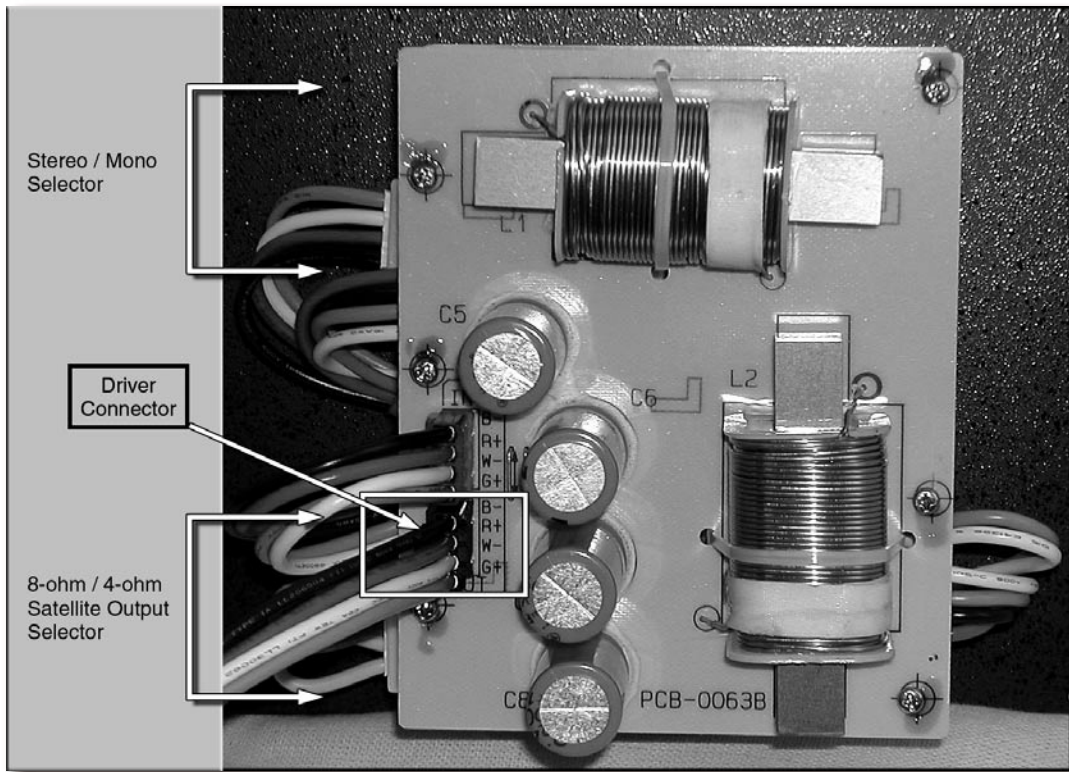
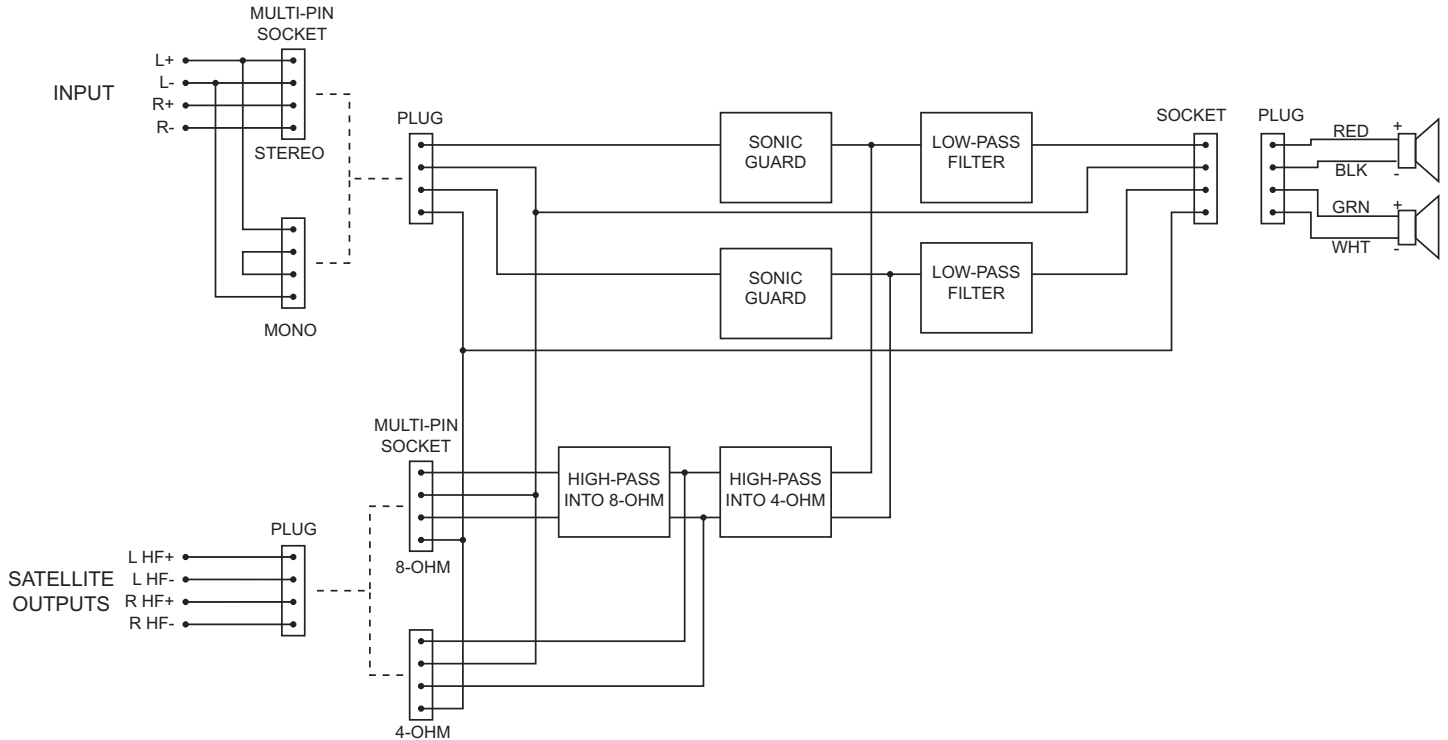
- 2) Using the center pull points, pull out the stock input module. This stock module will be discarded.
- 3) Disconnect the multi-pin connector going to the loudspeaker drivers.
- 4) Connect the multi-pin connector to the marked location on the new input module's circuit board.
- 5) Set the yellow mono/stereo connector into the desired setting for either mono or stereo operation.
- 6) Move the new input module into place.
- 7) Reattach using the screws and bolts around the perimeter of the input module. Be sure that the tapping screws (the conical shaped screws) go into the same locations they came out of, as indicated on the diagram.



MTC-SB210T-SAT Shown

MTC-SB210-SAT

MTC-SB210-SAT adds an internal subwoofer crossover. This module accepts either mono or stereo input. The crossover network routes low-frequency signals to the SB210 drivers and routes mid-frequency and high-frequency signals to two (in stereo mode) or to one (in mono mode) "Satellite Output" jacks for connection to satellite loudspeakers.

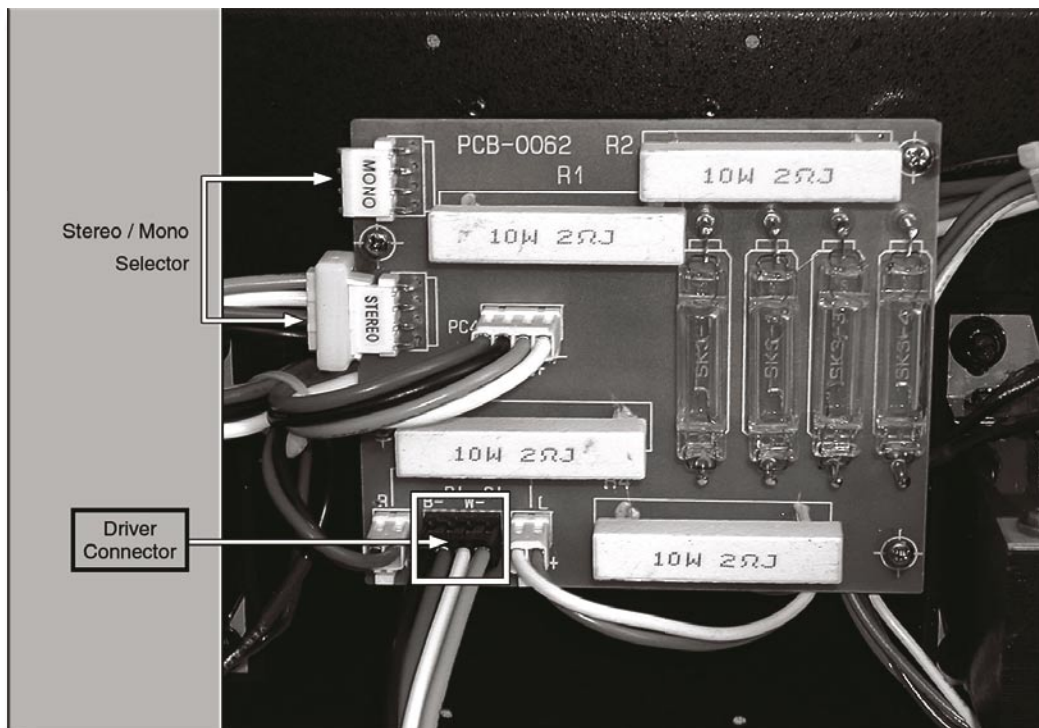
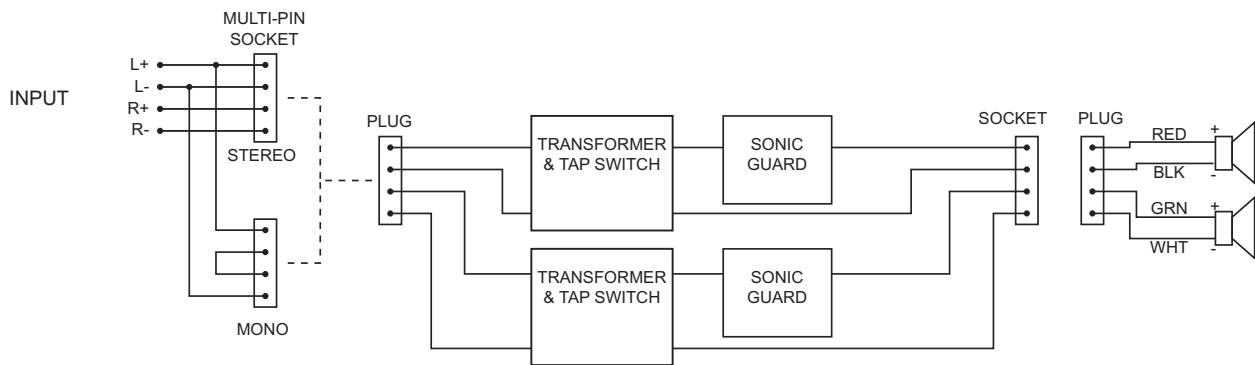


Multi-pin connector location of MTC-SB210-SAT

MTC-SB210T

MTC-SB210T allows the SB210 to be driven from a 70V or 100V distributed loudspeaker line. This module accepts either a mono or stereo input, with a total maximum power capability of 250 Watts. The tap selector switch has the following tap settings:

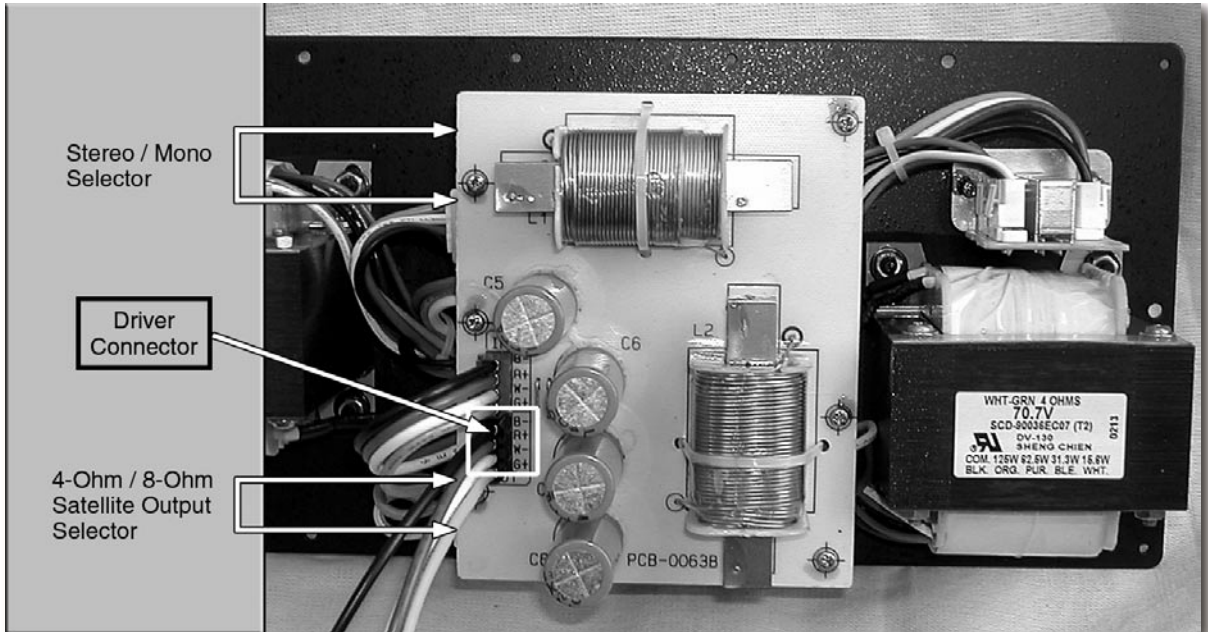
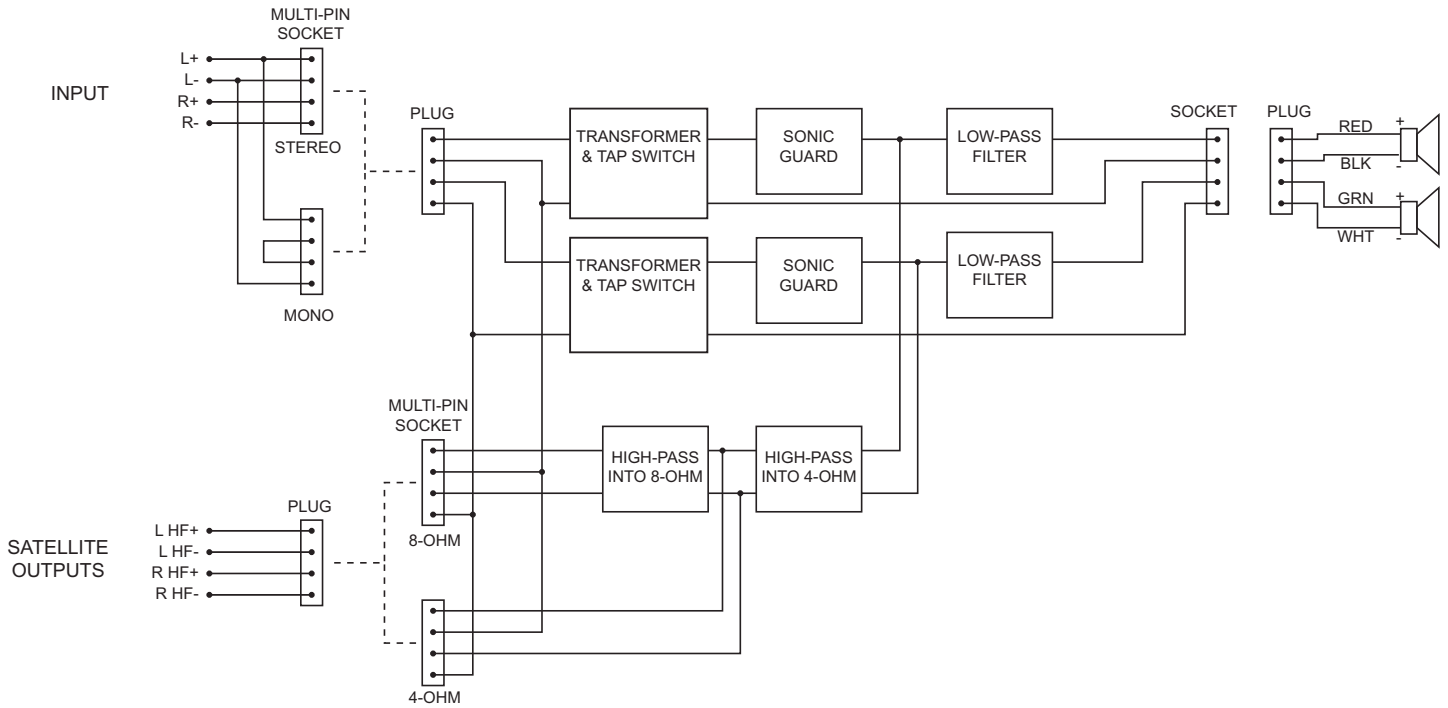
	On 70 V Line	On 100 V Line
Tap 1	250 W mono 125 W left & 125 W right stereo	Do Not Use
Tap 2	125 W mono 78 W left & 78 W right stereo	250 W mono 125 W left & 125 W right stereo
Tap 3	78 W mono 39 W left & 39 W right stereo	125 W mono 78 W left & 78 W right stereo



Multi-pin connector location of MTC-SB210T

MTC-SB210T-SAT

MTC-SB210T-SAT combines the above two modules, allowing the SB210 to be driven from a 70V or 100V distributed loudspeaker line AND containing an internal crossover that routes the low-frequency signals to the SB210 drivers and routes the mids and highs to “Satellite Output” jack(s) for connection of external low impedance satellite speakers.



Multi-pin connector location of MTC-SB210T-SAT