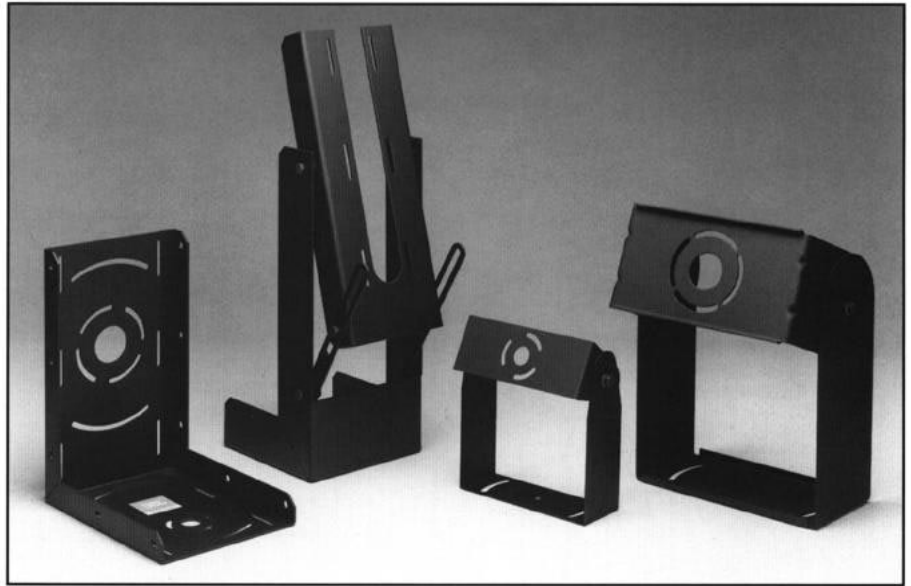


Professional Series

The 2500 Series Professional Mounting Brackets are designed to facilitate easy installation and quick adjustability in a variety of applications. Each model in the 2500 Series is manufactured of rugged $\frac{1}{8}$ " steel ($\frac{1}{16}$ " for the 2507) and finished in matte black.



2506B Adjustable-Position Mounting Bracket. The 2506B is designed for use with the 2360A and 2465A Constant-Coverage Bi-Radial Horns in JBL theater systems, as well as in other applications requiring horn mounting on a flat surface.

2507 Three-Way Adjustable-Position Mounting Bracket. The 2507 is a two-piece system designed for use with the 2344 Bi-Radial and 2370A Flat-Front Bi-Radial Horns in applications requiring horn mounting to a flat surface. Multiple slots in both the outer and inner frames of the bracket allow horn aiming and rotation in three planes.

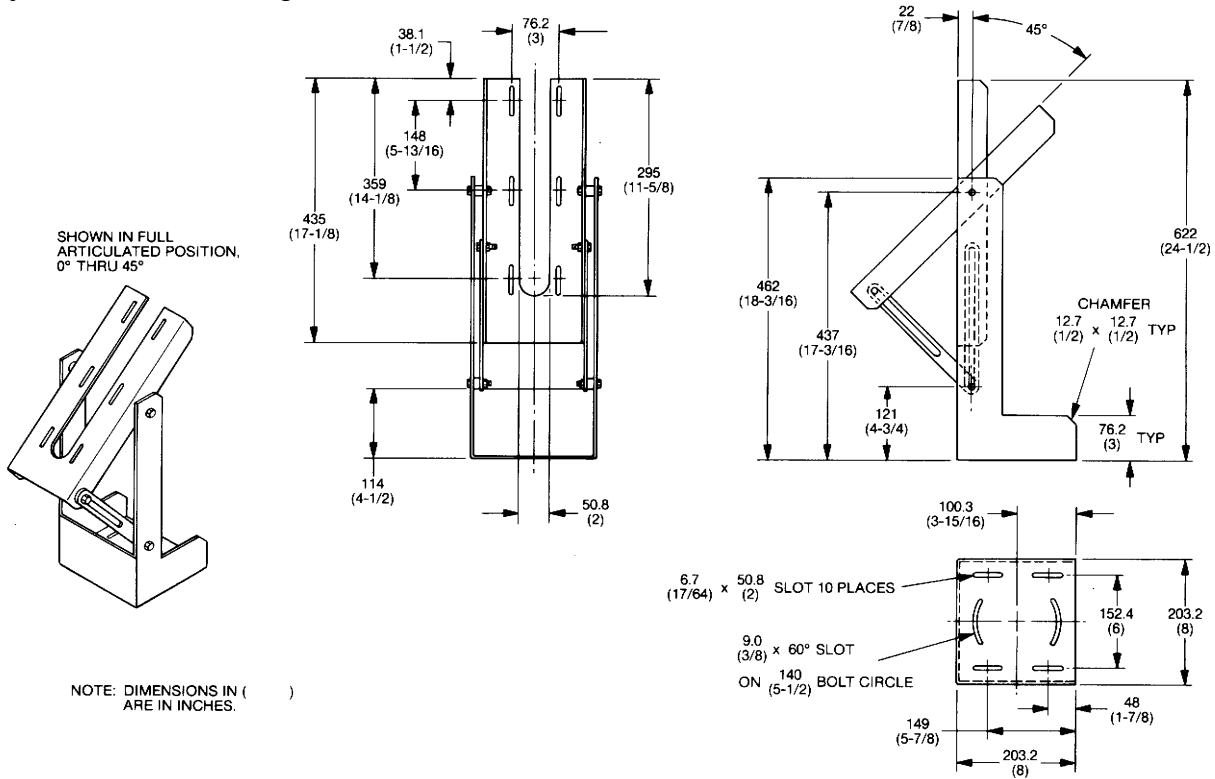
2508A Fixed-Position Mounting Bracket. The 2508A is designed for use with the 2344A, the 2370A, and the 2380 Series Bi-Radial Horns in applications requiring horn mounting on a flat surface. Multiple mounting holes permit horn rotation about the throat axis in 15° increments.

2509 Three-Way Adjustable-Position Mounting Bracket. The 2509 is a two-piece system designed for use with the 2360 and 2380 Series Bi-Radial Horns in applications requiring horn mounting to a flat surface. Multiple slots in both the outer and inner frames of the bracket allow horn aiming and rotation in three planes.

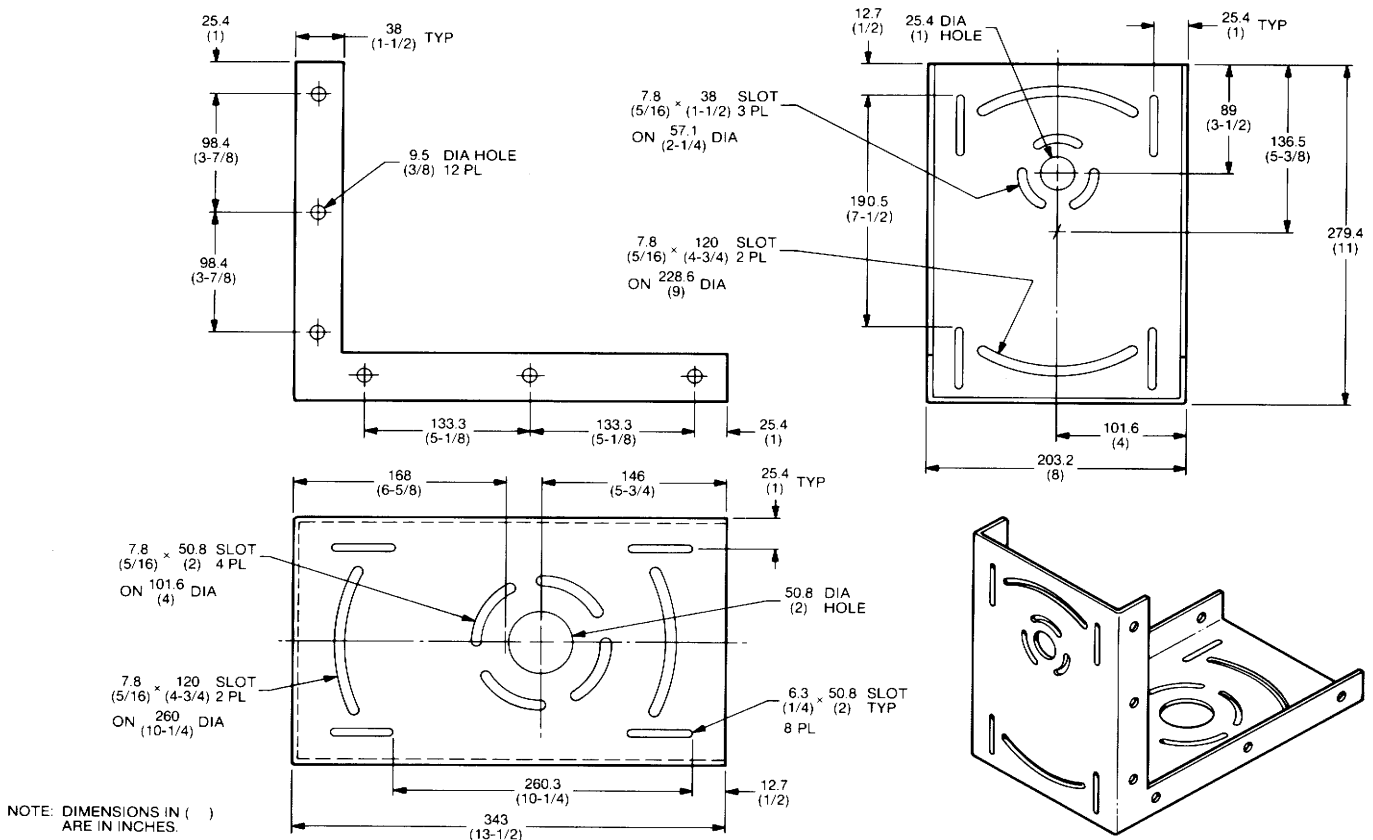
All JBL Professional Series Mounting Brackets are supplied with SAE Grade 5 hardware for driver attachment and bracket installation. The Models 2506A, 2507 and 2509 are additionally supplied with set screws for locking the elevation setting.

► 2506B, 2507, 2508A, 2509 Horn/Compression Driver Mounting Systems

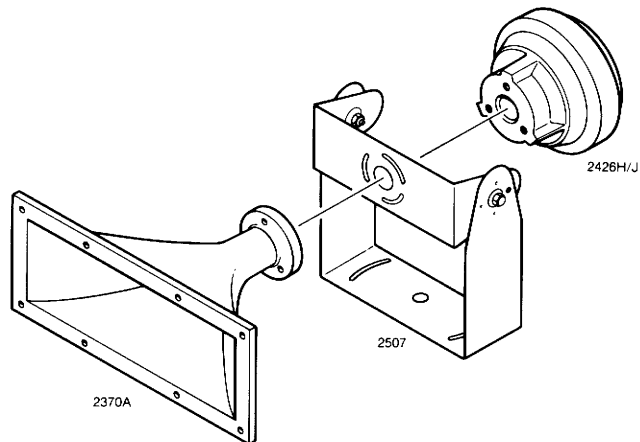
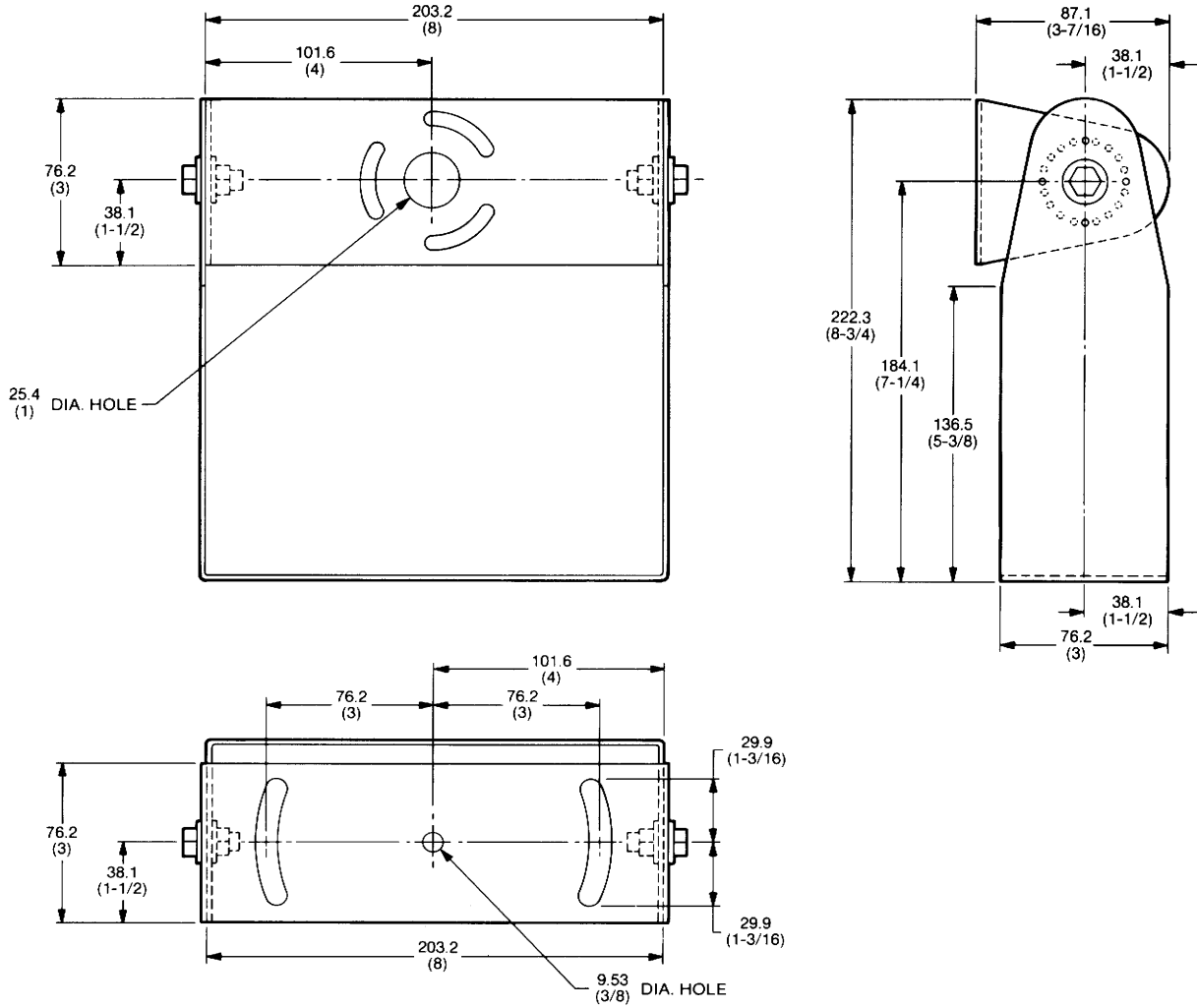
2506B Adjustable-Position Mounting Bracket.



2508A Fixed-Position Mounting Bracket.



2507 Three-Way Adjustable-Position Mounting Bracket

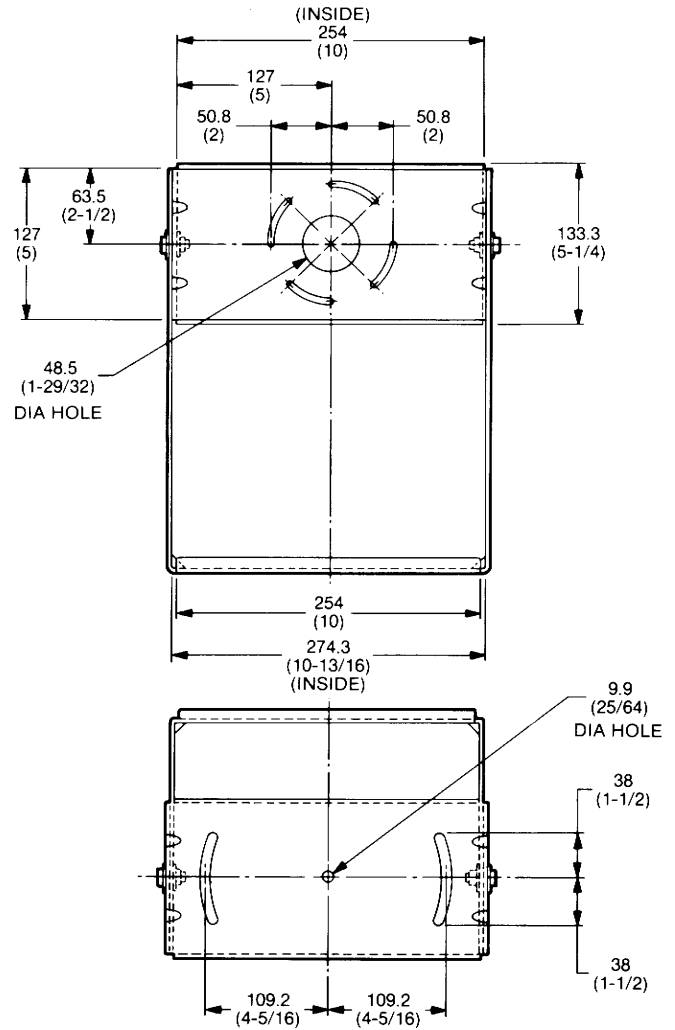
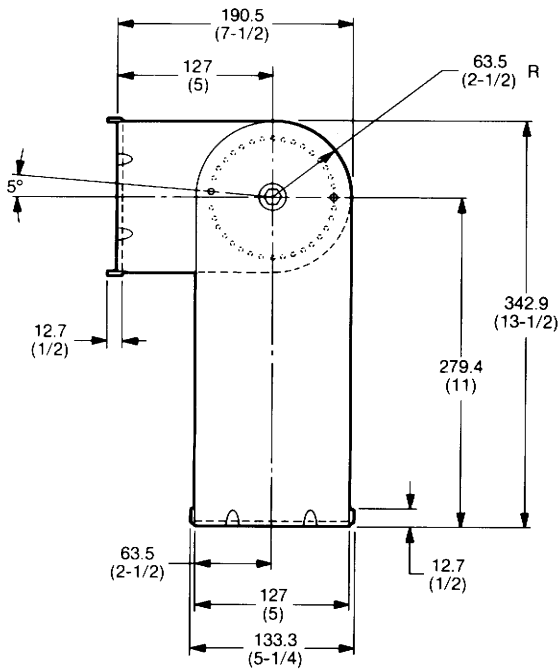


NOTE: DIMENSIONS IN () ARE IN INCHES.

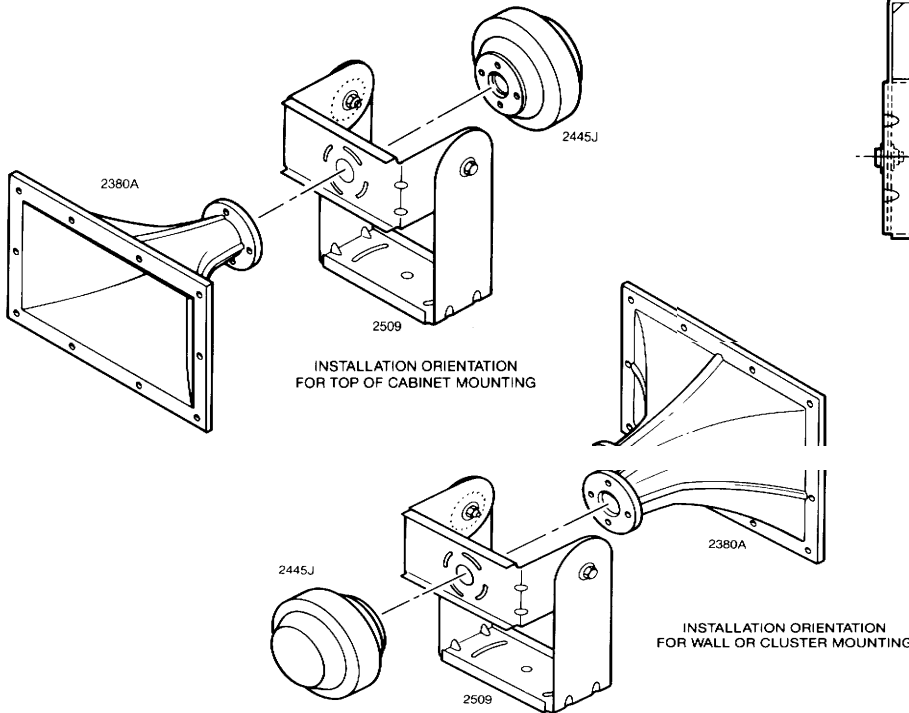
INSTALLATION ORIENTATION

► 2506B, 2507, 2508A, 2509 Horn/Compression Driver Mounting Systems

2509 Three-Way Adjustable-Position Mounting Bracket



NOTE: DIMENSIONS IN () ARE IN INCHES.



JBL Professional
 8500 Balboa Boulevard, P.O. Box 2200
 Northridge, California 91329 U.S.A.
 H A Harman International Company