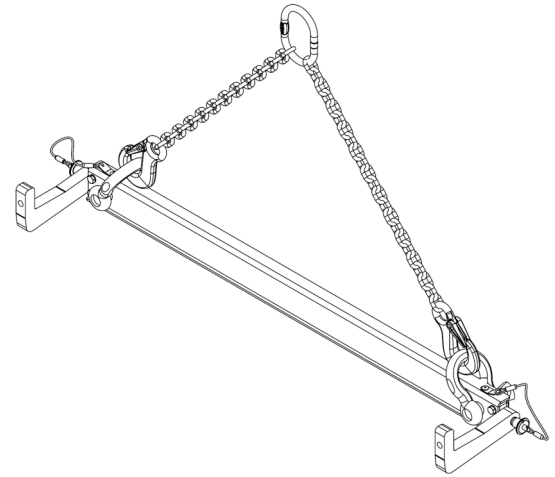


## VTX-V20-PB | Pull Back Accessory

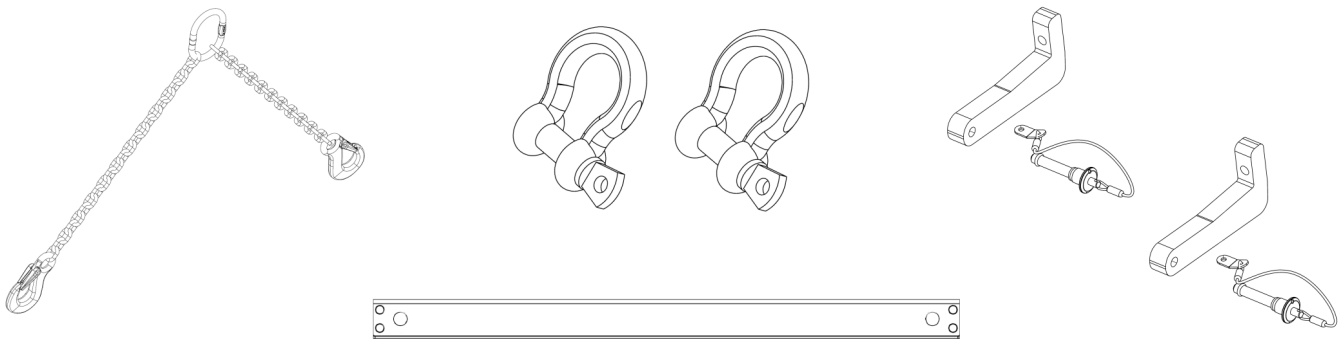
### Features:

- Complete integrated solution
- Can be used with VTX V20 LH or separate fly point
- Supports up to 1000 lbs of pull back force



### Description:

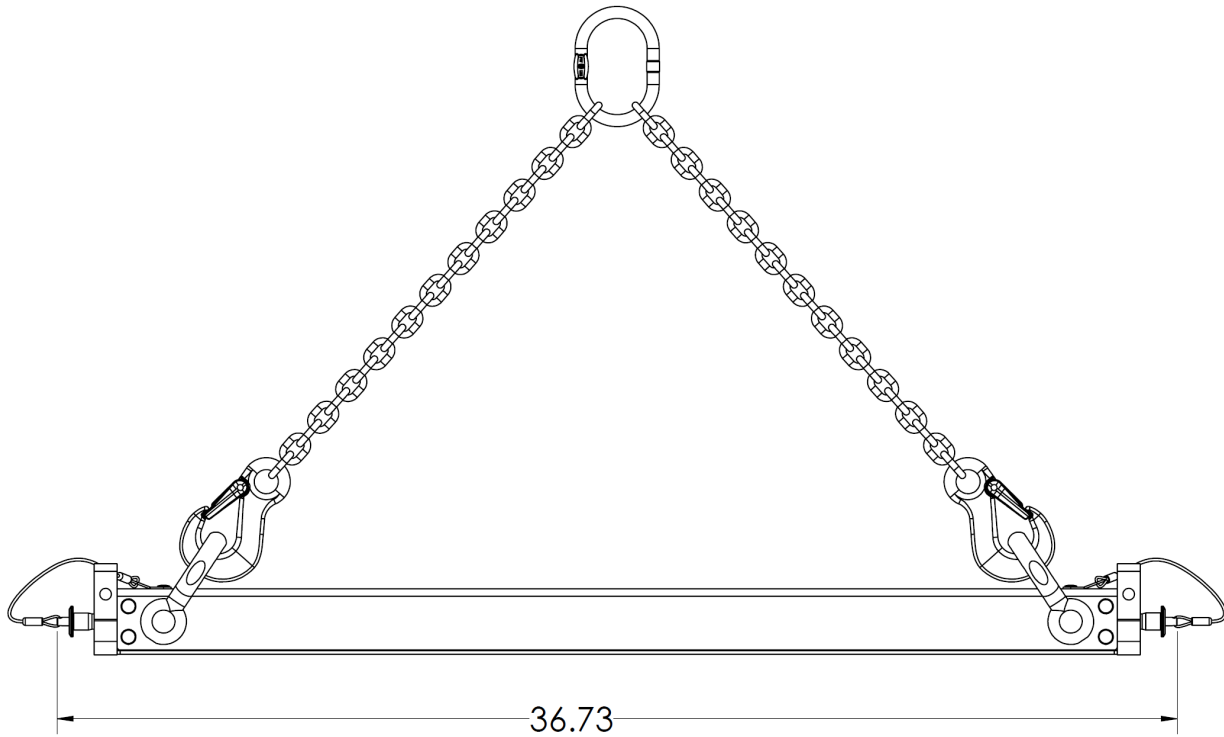
Pull Back accessory for attachment to bottom V20 enclosure to facilitate compression suspension of VTX V20 arrays. Compression can be implemented using a separate chain motor and suspension point (Rear Motor Pullback) or by using an optional VTX-V20-LH chain lever hoist or chain motor that is attached to the VTX-V20-AF-EB extension bar (Extension Bar Pullback).



### Included:

- Central pullback bar including two captive Quick Release Pins (QRPs) on lanyards
- Two left/right adapter brackets for connection to the bottom VTX V20 cabinet and the central spreader bar
- 2 x 5/8" shackles for attaching spreader bar to chain bridle
- 1 x 18" dual leg chain bridle with locking safety hooks and upper master link for attachment of compression device

## Dimensions:



## Specifications:

Specifications:	
Material	Steel
Weight	
Finish	Black Powdercoat