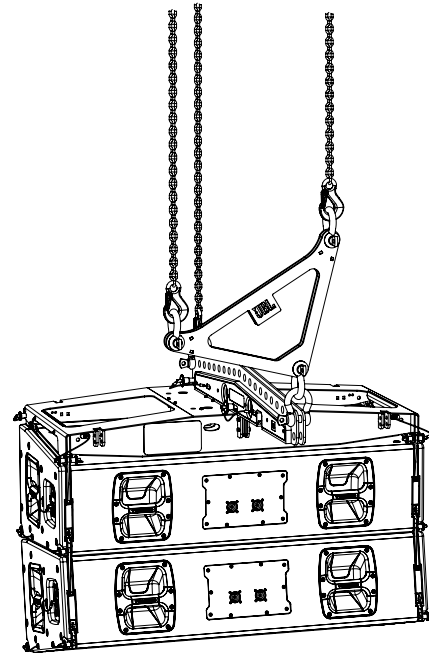
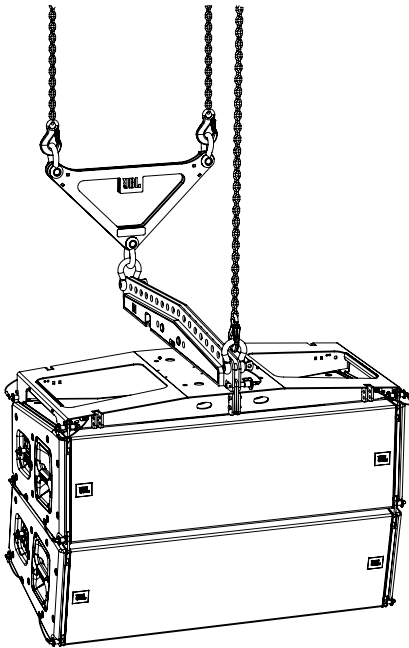


HIGHLIGHTS

- Universal delta plate accessory for VTX systems
- Support for up to (24) VTX enclosures
- Allows for +/- 10-degree horizontal adjustments
- Includes three 5/8-inch shackles
- Working Load Limit: 2,177 kg (4,800 lbs)
- Recommended point spacing: 1 meter (3.3 feet)

DESCRIPTION

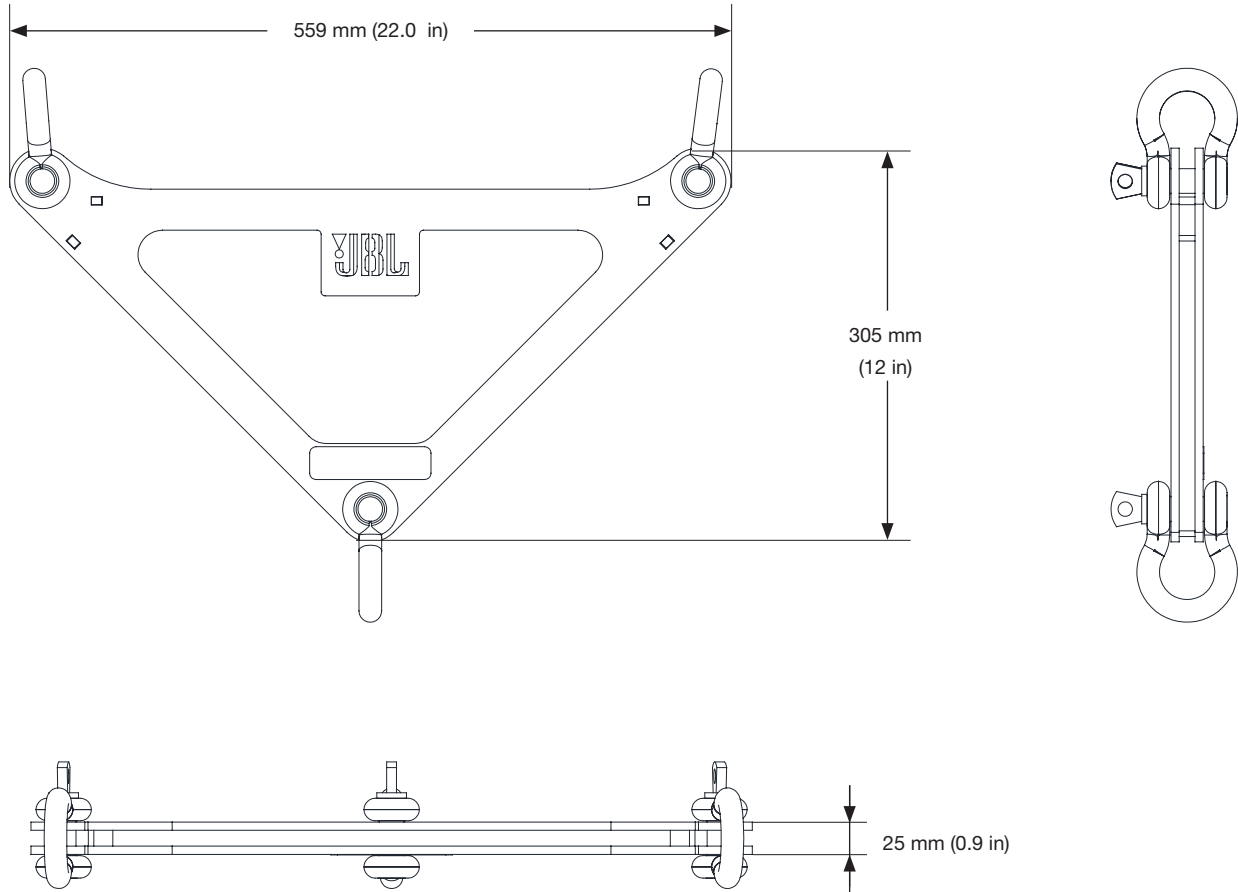
The VTX Delta Plate is a rigging accessory used for controlling the horizontal aiming of an array. Two chain motors are attached to the Delta Plate, allowing for adjustments of up to +/- 10 degrees. The VTX Delta Plate can be also used to distribute the weight of an array to two points, and the recommended space between the two pick points is 1 meter (3.3 feet). The VTX Delta Plate is compatible with all JBL line array products and it can support the weight of up to (24) enclosures. The VTX Delta Plate is made out of high-grade steel and comes with three 5/8-inch shackles.



INCLUDED

- (1) VTX DELTA
- (3) 5/8-inch Shackles (Part Number: 5044448)

DIMENSIONS



TECHNICAL SPECIFICATIONS

Construction: Steel with anti-corrosion coating

Finish: Black powder coat

Compatible Shackle Size: 5/8-inch

Working Load Limit 2000 kg (4410 lbs)

Dimensions (H x W x D)²: 305 mm x 559 mm x 25 mm
(12.0 in x 22.0 in x 0.9 in)

Net Weight²: 5.2 kg (11.5 lbs)

Footnotes:

- 1: Refer to the 2D and 3D Customer Drawings for more detailed dimensions
- 2: Shackles and other rigging parts not included

JBL continually engages in research related to product improvement. Some materials, production methods and design refinements are introduced into existing products without notice as a routine expression of that philosophy. For this reason, any current JBL product may differ in some respect from its published description, but will always equal or exceed the original design specifications unless otherwise stated.