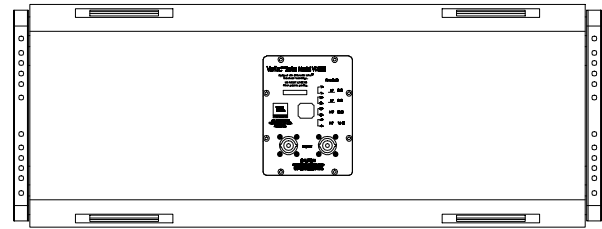
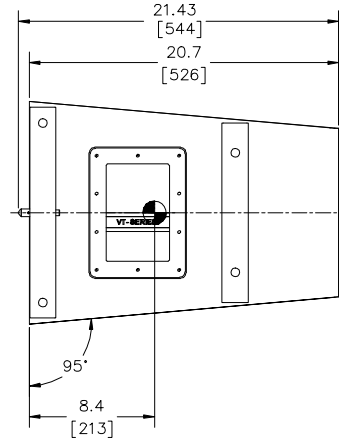
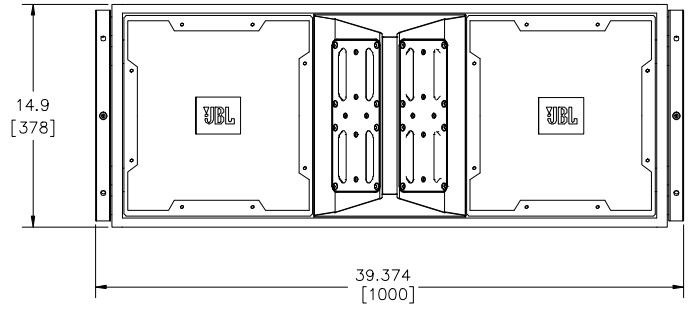
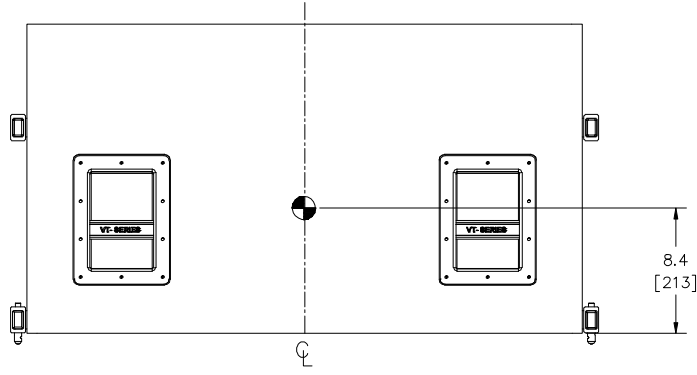


8 7 6 5 4 3 2 1

THESE DRAWINGS AND SPECIFICATIONS ARE THE PROPERTY OF JBL INCORPORATED THEY ARE ISSUED IN STRICT CONFIDENCE, AND SHALL NOT BE REPRODUCED, COPIED, OR USED AS THE BASIS FOR MANUFACTURING OR SALE OF APPARATUS WITHOUT WRITTEN PERMISSION.

ALL MATERIAL SPECIFIED ON THIS DRAWING SHALL COMPLY WITH EUROPEAN DIRECTIVE 2002/95/EC. **RoHS**

REVISIONS		DRFT	CHK	DATE	APPR
CHG	LTR	DESCRIPTION			
36232	A	RELEASE FOR MARKETING			



- COMPONENTS: LF - 2X 2262H; MF - 4X 2106H; HF - 2X 2431H
- INPUT/OUTPUT CONNECTORS: 2X SPEAKON NL-8 (ELECTRICALLY IN PARALLEL)
- GRILLE 16GA PERFORATED CRS, POWDERCOATED BLACK, BLACK FOAM BACKING.
- MATERIALS: 15MM LITE-PLY, 15MM BIRCH PLYWOOD AND 18MM BIRCH PLYWOOD.
- FINISH: BLACK DURAFLEX.
- SUSPENSION SYSTEM: JBL PROPRIETARY HINGE-BARS, BALL LOCK PINS AND RIGGING FRAMES.
- WEIGHT: 52KG (115 LBS)
- CENTER OF GRAVITY (CG)

NOTES: (UNLESS OTHERWISE SPECIFIED)

TOLERANCES
(UNLESS OTHERWISE SPECIFIED)
 XXXX ± 0.031 INCH
 XXX ± 0.063 INCH
 XX ± 0.125 INCH
 ANGULAR ± 30°
 • DIMENSIONS ARE INCHES (MM)
 • ALL DIMENSIONS ARE FINISHED DIMENSIONS
 • DO NOT SCALE DRAWING

JBL Professional
 A Harman International Company
 Northridge, California 91329, U.S.A.

TITLE
CUSTOMER DWG - VT4888

SCALE: 1:4

SIZE: D DRAWING NO. 365256 REV A

SHEET 1 of 1