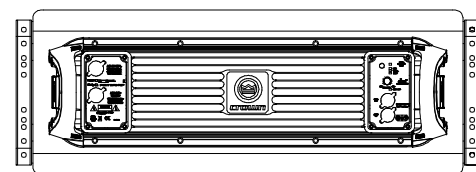
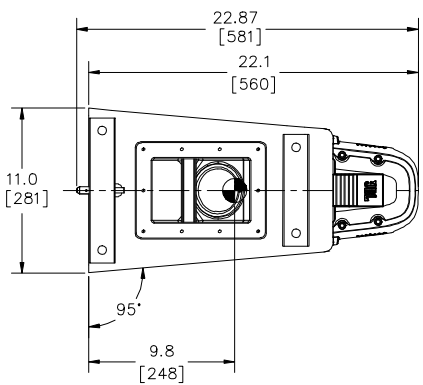
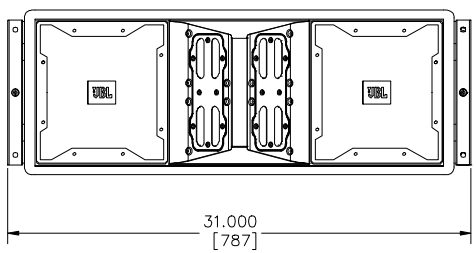
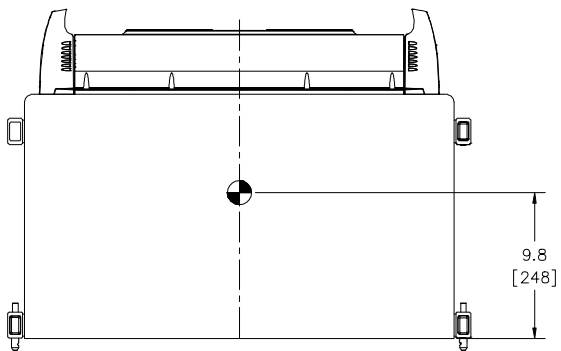


8 7 6 5 4 3 2 1

THESE DRAWINGS AND SPECIFICATIONS ARE THE PROPERTY OF JBL INCORPORATED THEY ARE ISSUED IN STRICT CONFIDENCE, AND SHALL NOT BE REPRODUCED, COPIED, OR USED AS THE BASIS FOR MANUFACTURING OR SALE OF APPARATUS WITHOUT WRITTEN PERMISSION.

ALL MATERIAL SPECIFIED ON THIS DRAWING SHALL COMPLY WITH EUROPEAN DIRECTIVE 2002/95/EC. **RoHS**

		REVISIONS				
CHG	LTR	DESCRIPTION	DRFT	CHK	DATE	APPR
31871	A	RELEASE FOR MARKETING	YT		4/12/06	BW
36232	B	REV CG LOCATION				



- COMPONENTS: LF - 2X 2168H-1; MF - 4X 2104H; HF - 2X 2408H
- INPUT CONNECTORS: MALE-XLR / FEMALE-XLR (ELECTRICALLY IN PARALLEL)
- GRILLE 16GA PERFORATED CRS, POWDERCOATED BLACK, BLACK FOAM BACKING.
- MATERIALS: 15MM LITE-PLY, 15MM BIRCH PLYWOOD AND 18MM BIRCH PLYWOOD.
- FINISH: BLACK DURAFLEX.
- SUSPENSION SYSTEM: JBL PROPRIETARY, HINGE-BARS, BALL LOCK PINS AND RIGGING FRAMES
- WEIGHT: 39 Kg (87 LBS)
- CENTER OF GRAVITY (CG)

NOTES: (UNLESS OTHERWISE SPECIFIED)

TOLERANCES <small>(UNLESS OTHERWISE SPECIFIED)</small> XXXX ± 0.031 INCH XXX ± 0.063 INCH XX ± 0.125 INCH ANGULAR ± 30°		JBL Professional <small>A Harman International Company</small> <small>Norridge, California 91329, U.S.A.</small>	
TITLE CUSTOMER DWG-VT4887ADP		DRAWING NO. 362893	
REV D	SCALE 1:4	SHEET 1 OF 1	REV B