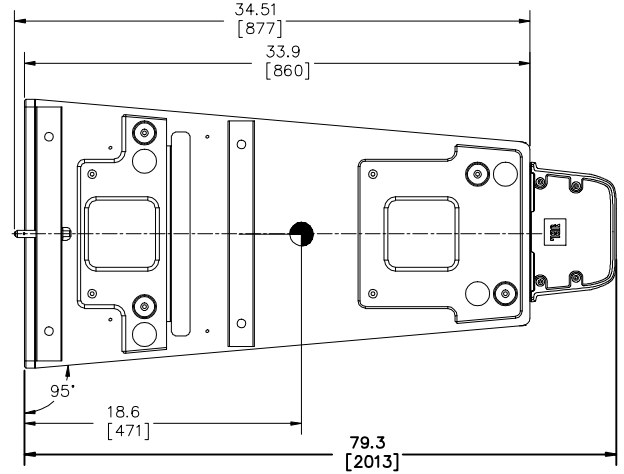
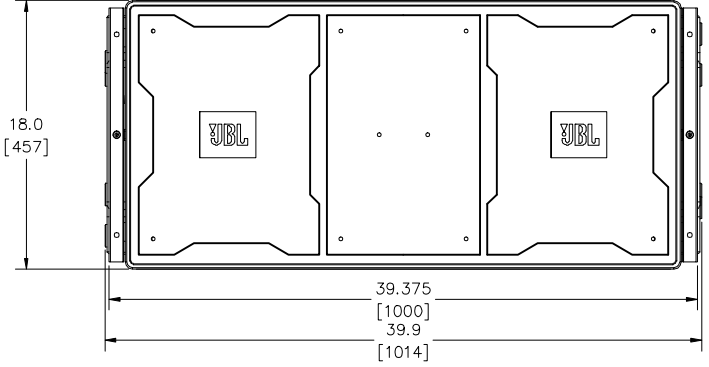
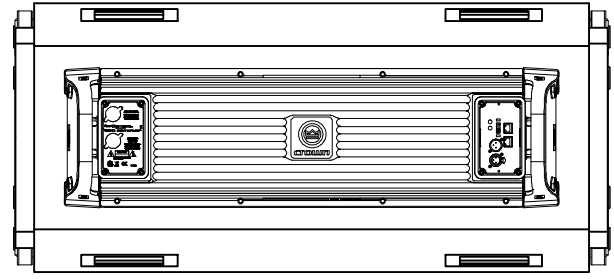
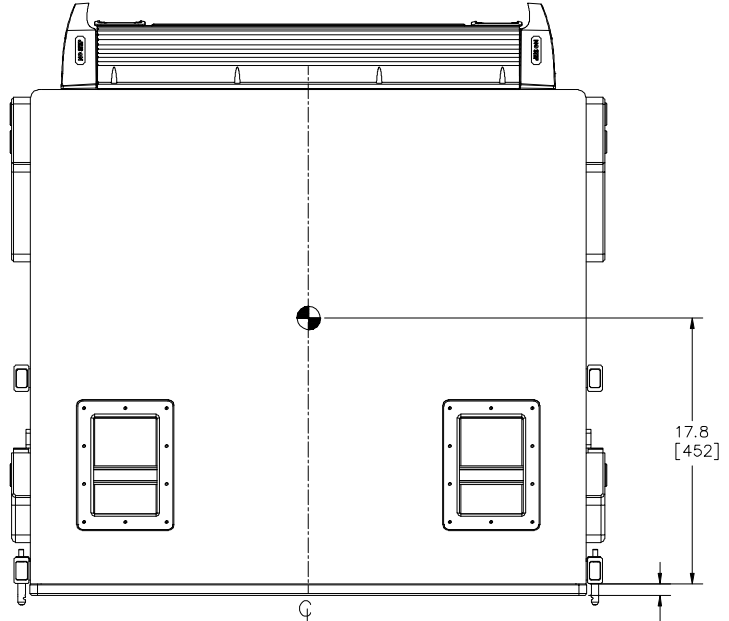


8 7 6 5 4 3 2 1

THESE DRAWINGS AND SPECIFICATIONS ARE THE PROPERTY OF JBL INCORPORATED THEY ARE ISSUED IN STRICT CONFIDENCE, AND SHALL NOT BE REPRODUCED, COPIED, OR USED AS THE BASIS FOR MANUFACTURING OR SALE OF APPARATUS WITHOUT WRITTEN PERMISSION.

ALL MATERIAL SPECIFIED ON THIS DRAWING SHALL COMPLY WITH EUROPEAN DIRECTIVE 2002/95/EC. **RoHS**

		REVISIONS				
CHG	LTR	DESCRIPTION	DRFT	CHK	DATE	APPR
31871	A	RELEASE FOR MARKETING	YT		4/12/06	BW
36232	B	REV VIEW	YT			



- COMPONENTS: LF - 2X 2266H
 - INPUT/OUTPUT CONNECTORS: MALE-XLR / FEMALE-XLR (ELECTRICALLY IN PARALLEL)
 - GRILLE 16GA PERFORATED CRS, POWDERCOATED BLACK, BLACK FOAM BACKING.
 - MATERIALS: 18MM ALL BIRCH PLYWOOD AND 18MM LITE-PLY.
- NOTES: (UNLESS OTHERWISE SPECIFIED)

- FINISH: BLACK DURAFLEX.
- SUSPENSION SYSTEM: JBL PROPRIETARY HINGE-BARS, BALL LOCK PINS AND RIGGING FRAMES.
- WEIGHT: 74 KG (163 LBS)
- CENTER OF GRAVITY (CG)

TOLERANCES
(UNLESS OTHERWISE SPECIFIED)
X.XXX ± 0.031 INCH
X.XX ± 0.063 INCH
X.X ± 0.125 INCH
ANGULAR ± 30°

• ALL DIMENSIONS ARE FINISHED DIMENSIONS
• DO NOT SCALE DRAWING

JBL Professional A Harman International Company Northridge, California 91328, U.S.A.	
TITLE CUSTOMER DWG - VT4882DP	
REV D	DRAWING NO. 362947
	REV B
SCALE 1:10	
SHEET 1 of 1	