
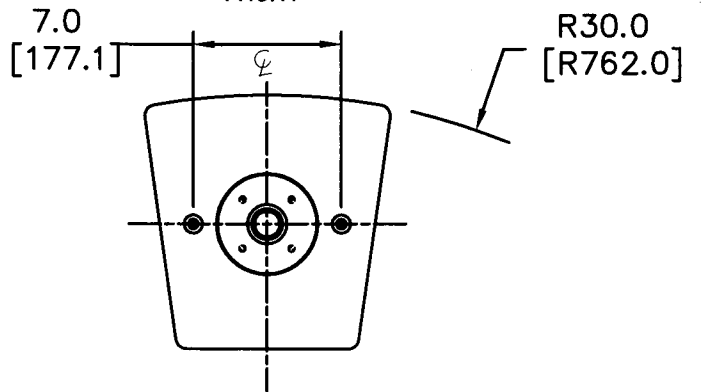
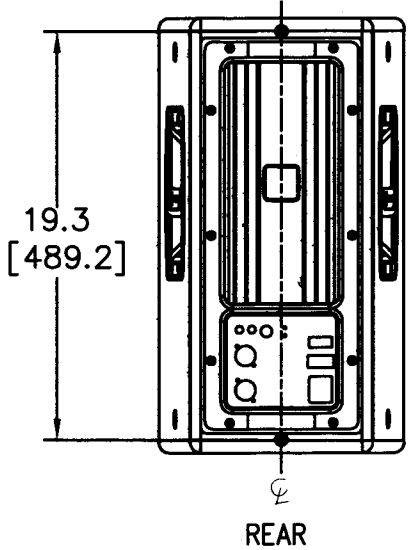
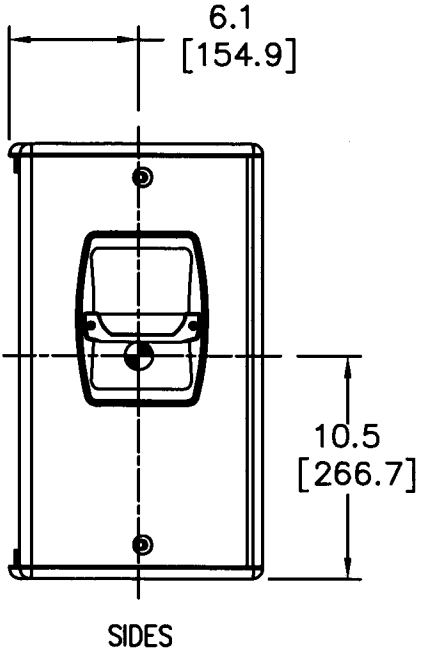
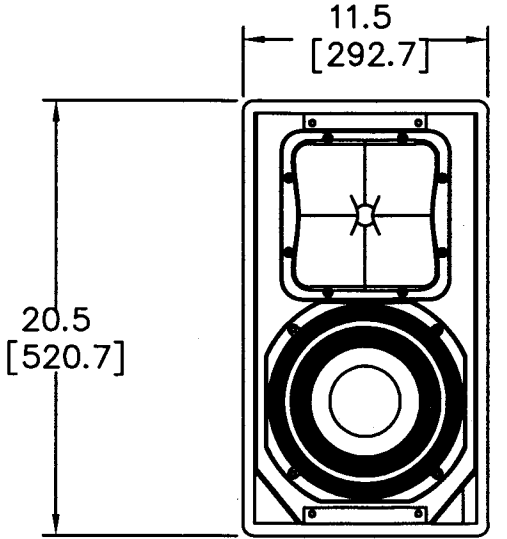
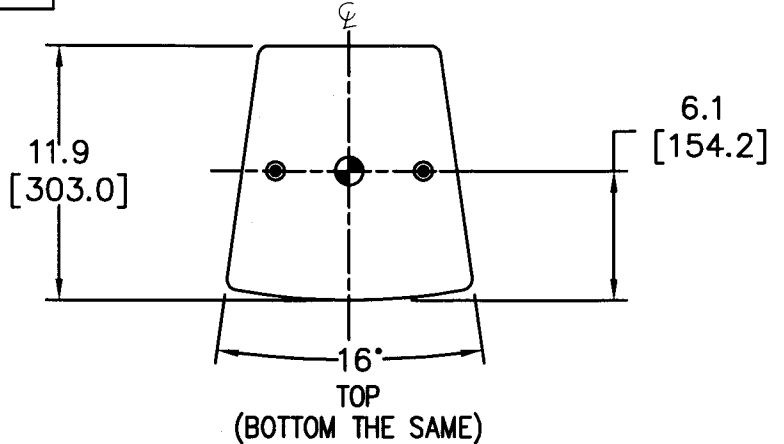



THESE DRAWINGS AND SPECIFICATIONS ARE THE PROPERTY OF JBL INCORPORATED. THEY ARE ISSUED IN STRICT CONFIDENCE AND SHALL NOT BE REPRODUCED OR USED AS THE BASIS FOR MANUFACTURE OR APPARATUS WITHOUT WRITTEN PERMISSION.

ALL MATERIAL SPECIFIED ON THIS DRAWING SHALL COMPLY WITH EUROPEAN DIRECTIVE 2002/95/EC. 


REVISIONS						
CHG	LTR	DESCRIPTION	DRFT	D.C	DATE	APPR
33098	T1	PRELIMINARY RELEASE	TH	TH	11/6/06	BW
33229	T2	ADDED REAR SUSP. POINT DIM.	TH	---	---	---
36824	A	RELEASED TO MARKETING AND ADDED POLEMOUNT	TH		11/1/08	BW



1. COMPONENTS: LF - 1X 2261FF; HF - 1X 2452H-SL
2. INPUT CONNECTORS: XLR WITH LOOP THROUGH.
3. GRILL: 14 GA. PERFORATED CRS, POWDERCOATED BLACK, BLACK FOAM BACKING.
4. MATERIALS: 15MM (5/8") FINNISH BIRCH PLYWOOD.
5. FINISH: BLACK DURAFLEX
6. SUSPENSION POINTS: "•" 9 (M10 THREAD); 3 EA TOP, 2 EA BOTTOM, 2 EA SIDE PANELS
2 (M6 THREAD) ON REAR SIDE OF THE ENCLOSURE.
POLE MOUNT: 35mm (1-3/8") STEEL FEMALE SOCKET,
7. WEIGHT: 18.6 kg (41.0 LBS)
8. CENTER OF GRAVITY (CG) 

NOTES: (UNLESS OTHERWISE SPECIFIED)

TOLERANCES (UNLESS OTHERWISE SPECIFIED)	
XXX	± .003 INCH
XX	± .125 INCH
ANGULAR TOLERANCE OF 0°±30'	
FRACTIONAL DIMENSIONS ± 1/32	
• DIMENSIONS ARE INCHES	
• ALL DIMENSIONS ARE FINISHED DIMENSIONS	
• DO NOT SCALE DRAWING	

 JBL PROFESSIONAL A Harman International Company Northridge, California 91329 U.S.A.		
TITLE CUSTOMER DRAWING: VP7210/95DP		
SIZE A	DRAWING NO. 363898	REV A
SCALE NTS	SHEET 1 OF 1	