

TECHNICAL SPECIFICATIONS

SYSTEM

Frequency Range (-10 dB) ¹ :	39 - 19.2kHz
Frequency Range (-6 dB) ¹ :	43 - 19kHz
Frequency Range(-3 dB) ¹ :	48 - 17.4kHz

Coverage Pattern

Horizontal:	30° Nominal (900 - 16kHz)
Vertical:	Varies with Array size and configuration

System Sensitivity (2.83V @ 1m)

LF (2.83V @ 1m / 1W @ 1m) ² :	99dB/96dB
MF (2.83V @ 1m / 1W @ 1m) ² :	105dB/105dB
HF (2.83V @ 1m / 1W @ 1m) ² :	115db/112dB

System Impedance

LF:	4 ohms
MF:	8 ohms
HF:	4 ohms

System Power Rating

LF (100hrs/2hrs) ³ :	1000W/1100W
MF ⁴ :	550W
HF ⁴ :	300W

Maximum Peak Output:

System ⁵ :	151.1 dB SPL
LF ⁵ :	136.0 dB SPL
MF ⁵ :	146.4 dB SPL
HF ⁵ :	146.0 dB SPL

System Processing

Crossover:	External Tri-Amp
Crossover Frequencies ⁶ :	230 Hz, 1.6kHz
Recommended Processing:	Custom DSP Processing (IIR and FIR) for Crown ITHD, IT4x3500HD and DCiN, and DCi-DA

TRANSDUCERS

Low Frequency:	2 x JBL 2265H, 15 inch diameter, dual 3 inch diameter voice coil, Neodymium Differential Drive
Mid Frequency:	4 x JBL 2169H 8 inch diameter, dual 3 inch diameter voice coil, Neodymium Differential Drive
High Frequency:	6 x JBL 2432H 1.5 inch exit compression driver, 3 inch voice coil

Transducer Power Rating

LF ⁷ :	1400W/1700W
MF ⁸ :	500W
HF ⁸ :	250W

PHYSICAL

Enclosure:	Rectangular 18mm and 16mm (5/8 in) exterior grade Baltic birch plywood
------------	--

Finish	Standard finish and optional weather resistant versions (-WRC and -WRX) available
Standard:	Black Duraflex finish. White (-WH) available upon request.

WRC:	Covered/Protected outdoor environments, thick gray Duraflex, stainless steel hardware. White and Black available (-WH, -BK)
WRX:	Direct exposure or extreme environments, gray fiberglass, stainless steel hardware. White and Black available (-WH, -BK)

Grill

Standard:	Powder coated 14 gauge perforated steel with cloth backing
WRC/WRX:	Three layer powder coated 16 gauge perforated stainless steel with cloth backing and stainless steel mesh.

Environmental IP Rating

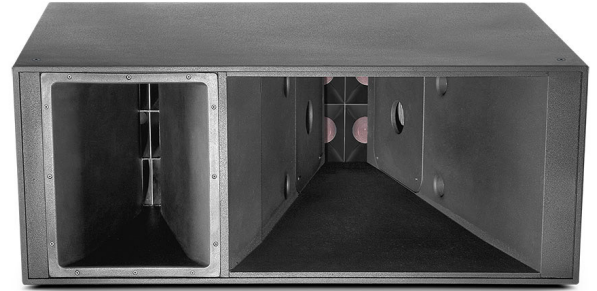
WRC:	IP55
WRX:	IP56

Suspension	16 points (4 top and bottom, 4 each side), threaded M10.
WRC/WRX:	Additional sealing neoprene stainless steel washers

Input Connectors:	Barrier strip for #6 spade lug, including gland nut and cover plate.
-------------------	--

Dimensions (H x W x D):	527 x 1347 x 1375 mm (20.7 x 53.0 x 54.1 in)
-------------------------	--

Weight:	155.0 kg (341 lbs)
---------	--------------------

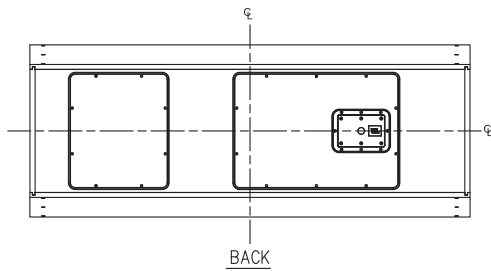
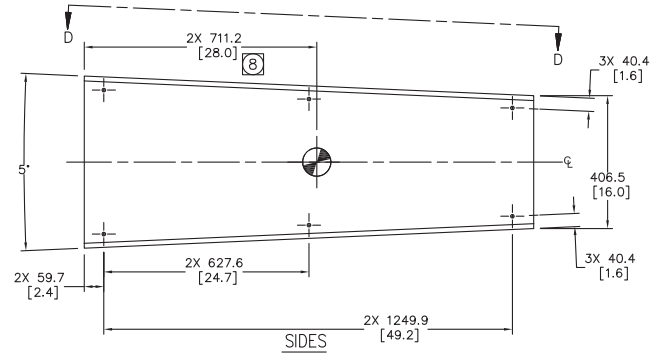
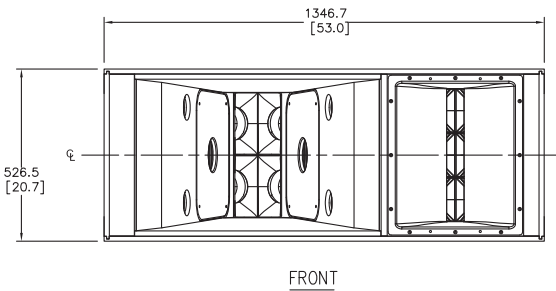
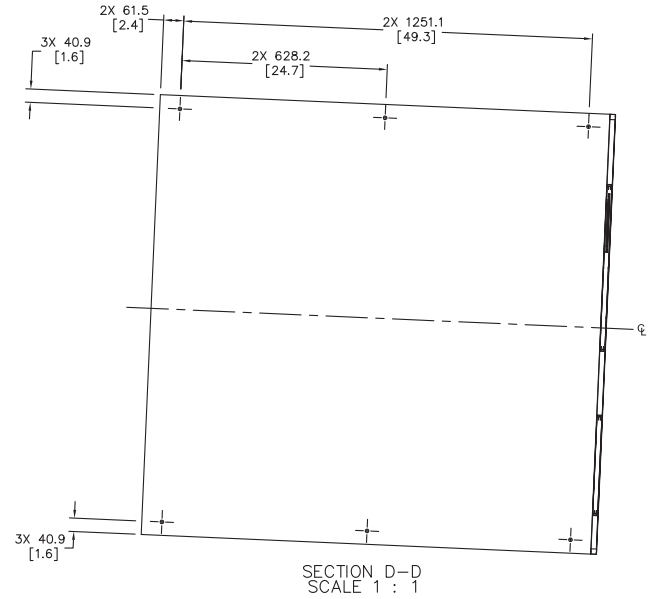
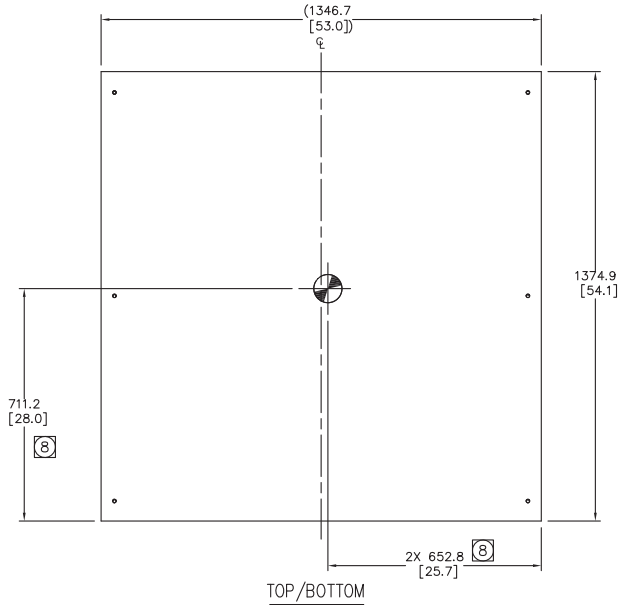


Footnotes:

- With recommended flat preset
- RMS, unweighted SPL, measured under full-space conditions, normalized to 1m using broadband pink noise with a 12dB crest factor, without DSP processing.
- IEC shaped pink noise, 6dB crest factor, based on nominal impedance, 100 hrs / 2 hrs
- IEC shaped pink noise, 6dB crest factor, based on nominal impedance, 100 hrs
- Peak, unweighted SPL, measured under full-space conditions, normalized to 1 meter using broadband pink noise with a 12dB crest factor and flat preset
- With recommended processing
- AES: Decade of pink noise, 6dB crest factor, based on minimum impedance, 100 hrs / 2 hrs
- AES: Decade of pink noise, 6dB crest factor, based on minimum impedance, 100 hrs
- For ordering refer to WRC & WRX Configuration document.

JBL continually engages in research related to product improvement. Some materials, production methods and design refinements are introduced into existing products without notice as a routine expression of that philosophy. For this reason, any current JBL product may differ in some respect from its published description, but will always equal or exceed the original design specifications unless otherwise stated.

DIMENSIONS



1. COMPONENTS: LF- 2X 2265HPL : MF- 4X 2169H : HF- 6X 2432H
2. INPUT CONNECTORS: BARRIER STRIP TERMINAL (FOR #6 SPADE LUG)
3. GRILLE 16GA, STANDARD VERSION: COLD ROLLED STEEL WITH CLOTH BACKING
WEATHER RESISTANT VERSIONS (WRX, WRC): STAINLESS STEEL WITH CLOTH AND STAINLESS STEEL MESH BACKING
4. MATERIALS: EXTERIOR GRADE BIRCH PLYWOOD.
5. FINISH: STANDARD VERSION: BLACK DURAFLEX, WHITE AND GRAY AVAILABLE
WEATHER RESISTANT VERSION (WRC): GRAY DURAFLEX, BLACK AND WHITE AVAILABLE; INTERIOR WOOD SEALER
EXTREME WEATHER RESISTANT VERSION (WRX): GRAY FIBERGLASS COATING, BLACK AND WHITE AVAILABLE; INTERIOR GELCOAT SEALER
6. SUSPENSION POINTS: 24 TOTAL, 6 EA TOP & 6 EA BOTTOM, 6 EA LEFT SIDE, 6 EA RIGHT SIDE. M10 THREADED PATTERN
7. WEIGHT: 155 Kg (341 LBS)
8. CENTER OF GRAVITY (CG) LOCATION AS INDICATED ON DRAWING
9. ALL DIMENSIONS ARE FOR STANDARD VERSION ENCLOSURE, FOR WEATHER RESISTANT VERSIONS (WRC, WRX) ADD 0.060" (1.5MM) ADDITIONAL COATING THICKNESS
10. STAINLESS STEEL HARDWARE ON WEATHER RESISTANT VERSIONS (WRC, WRX)

NOTES: (UNLESS OTHERWISE SPECIFIED)