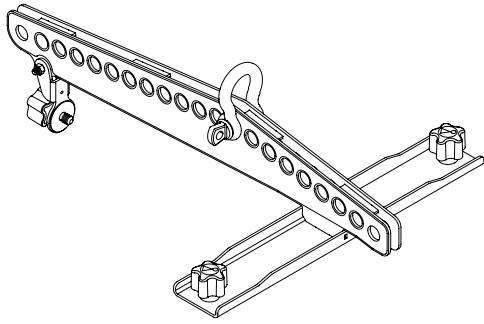




SRX922 AF

Array Frame for SRX922

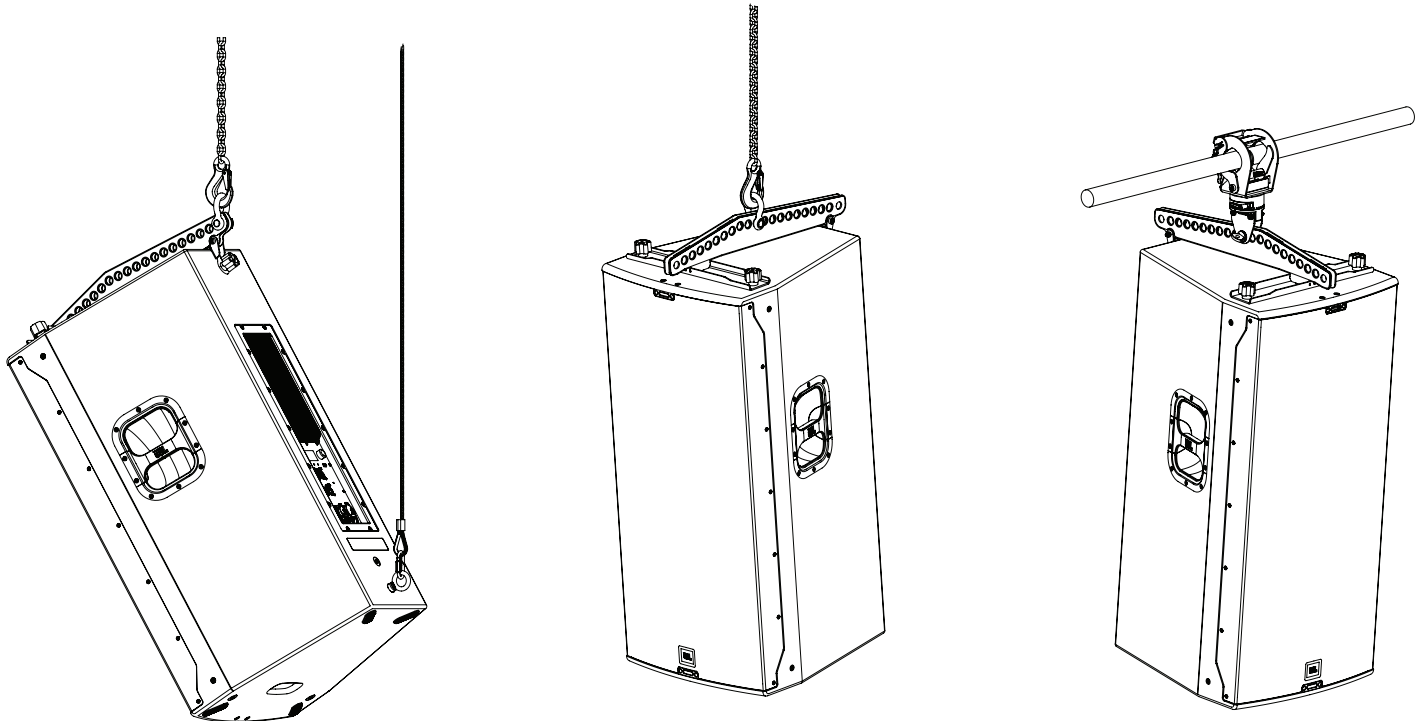


HIGHLIGHTS

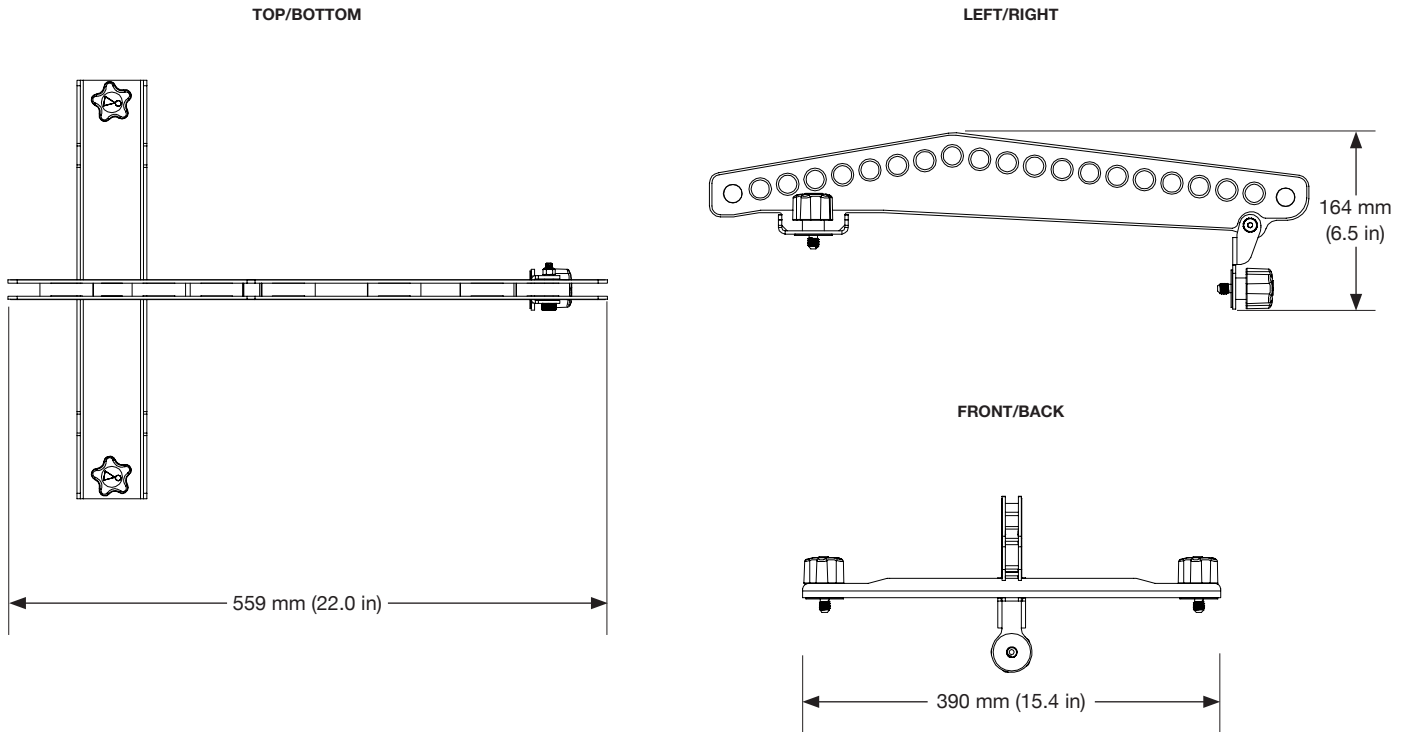
- Compact and lightweight design
- Designed for precise aiming
- Supports single-point and dual-point configurations
- Compatible with the RC500
- One 12mm (1/2 in) shackle included

DESCRIPTION

The SRX922 AF is a lightweight, compact array frame designed for suspending SRX922 cabinets. It supports both single-point and dual-point suspension configurations and connects to the SRX922 cabinet using the top and rear-top M10 QuickLink™ attachment points. Multiple shackle mounting positions are provided on the top of the array frame for single-point suspension. The holes are sized for 12 mm (1/2 in) shackles and allow for a wide range of tilt angles without the need for a secondary attachment point. In applications requiring extreme down angles, a secondary suspension point can be attached to the bottom rear M10 QuickLink™ attachment point for dual-point (front-to-back) configurations using the EBK4 M10-20 eyebolt kit. The array frame is also compatible with the JBL Professional RC500 Rotating Clamp, allowing secure attachment to standard truss or pipe structures. For detailed rigging instructions and configuration options, refer to the **SRX900 Series Rigging Manual**.



DIMENSIONS



TECHNICAL SPECIFICATIONS

PHYSICAL

Construction : Steel with anti-corrosion coating

Finish : Black powder coat

Compatible Shackle Size : 12 mm (1/2 in)

Working Load Limit (WLL)¹ : 100 kg (220 lbs)

Dimensions (H x W x D)² : 164 mm x 390 mm x 559 mm
(6.5 in x 15.4 in x 22.0 in)

Net Weight³ : 3.2 kg (7 lbs)
Shipping Weight : 5.9 kg (13 lbs)

ORDERING INFORMATION

SKU : JBL-P3498MX | SRX922 AF

Included : (1) Array Frame | (1) 1/2-inch Shackle (PN: 5118578-00)

Footnotes:

- 1: Never exceed the Working Load Limit (WLL). Refer to the User and Rigging Manual before use. Always check mechanical safety using JBL simulation software.
- 2: Refer to the 2D and 3D Customer Drawings for more detailed dimensions.
- 3: Shackles and other rigging parts not included.

JBL continually engages in research related to product improvement. Some materials, production methods and design refinements are introduced into existing products without notice as a routine expression of that philosophy. For this reason, any current JBL product may differ in some respect from its published description, but will always equal or exceed the original design specifications unless otherwise stated.