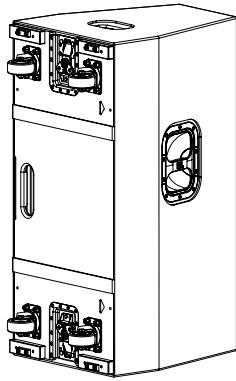




SRX922 ACC

Accessory Caster board and Cover for SRX922

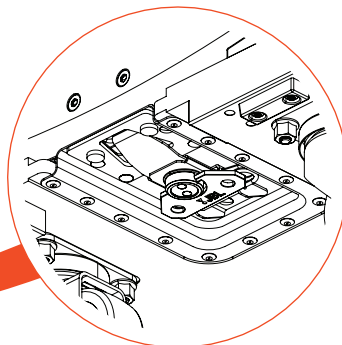
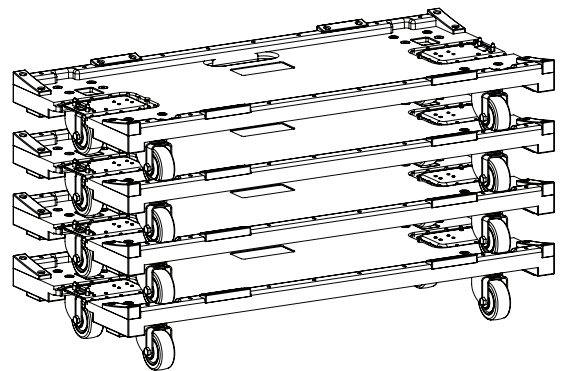
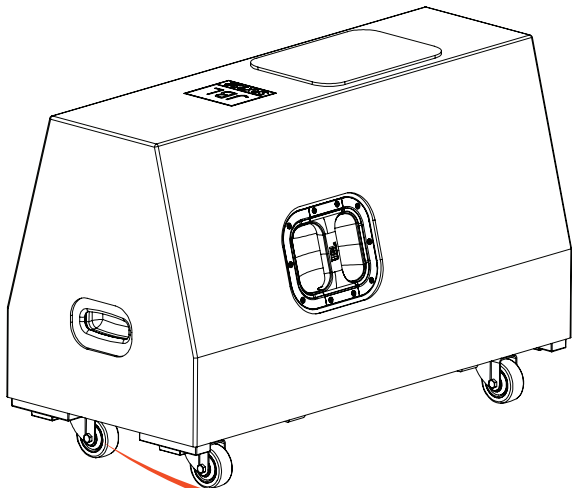


HIGHLIGHTS

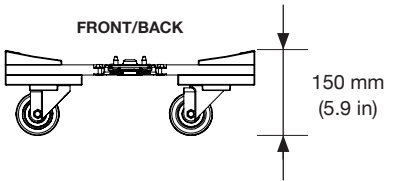
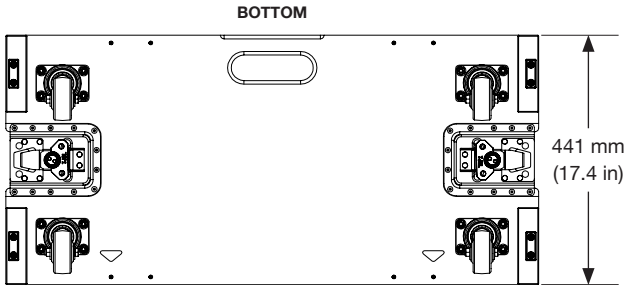
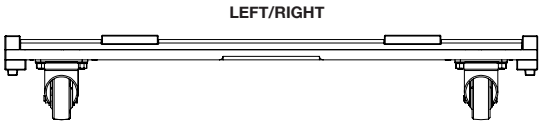
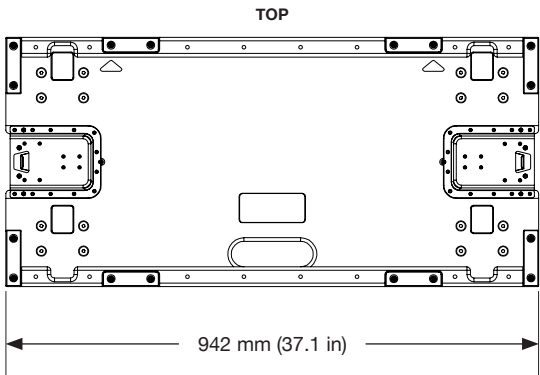
- Transport accessory for a single SRX922
- Includes padded, reinforced cover
- Stackable design for convenient storage
- Rugged dolly caster board
- Stackable caster board design
- Heavy duty casters

DESCRIPTION

The SRX922 ACC is an accessory kit designed for the transport and protection of a single SRX922 enclosure. The kit includes a padded, reinforced protective cover with handle cutouts and a rear access flap, as well as a dolly caster board equipped with rugged, tour-grade casters and latching mechanisms for secure attachment to the SRX922 enclosure. The caster board features a stackable design for efficient storage when not in use. For applications where transporting multiple cabinets is preferred, a Vertical Transporter (SRX922 VT) is also available for transporting two SRX922 enclosures together. For additional information on transport accessories and application examples, refer to the **SRX900 Series Rigging Manual**.



DIMENSIONS



TECHNICAL SPECIFICATIONS

PHYSICAL

Construction

- Board : Exterior-grade birch plywood
- Hardware : Zinc-plated steel
- Cover : 1000 D Nylon, Tricot lining bonded to 1/2-inch foam passing (black)

Finish

- Board : Black Duraflex™

Dimensions (H x W x D)¹: 150 mm x 942 mm x 441 mm
 (5.9 in x 37.1 in x 17.4 in)

Net Weight² : 10.9 kg (24 lbs)
 Shipping Weight : 17.2 kg (38 lbs)

ORDERING INFORMATION

SKU : JBL-P3499MX | SRX922 ACC

Included : (1) Caster board | (1) Soft cover

Footnotes:

- 1: Refer to the 2D and 3D Customer Drawings for more detailed dimensions
- 2: Weight includes the caster board and soft cover

JBL continually engages in research related to product improvement. Some materials, production methods, and design refinements are introduced into existing products without notice as a routine expression of that philosophy. For this reason, any current JBL product may differ in some respect from its published description, but will always equal or exceed the original design specifications unless otherwise stated.