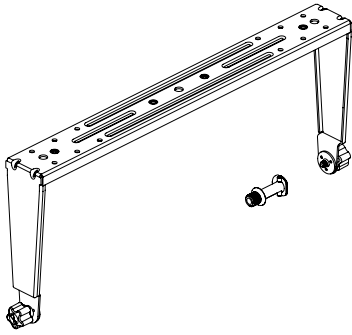




SRX915M UBH

Horizontal U-Bracket for SRX915M

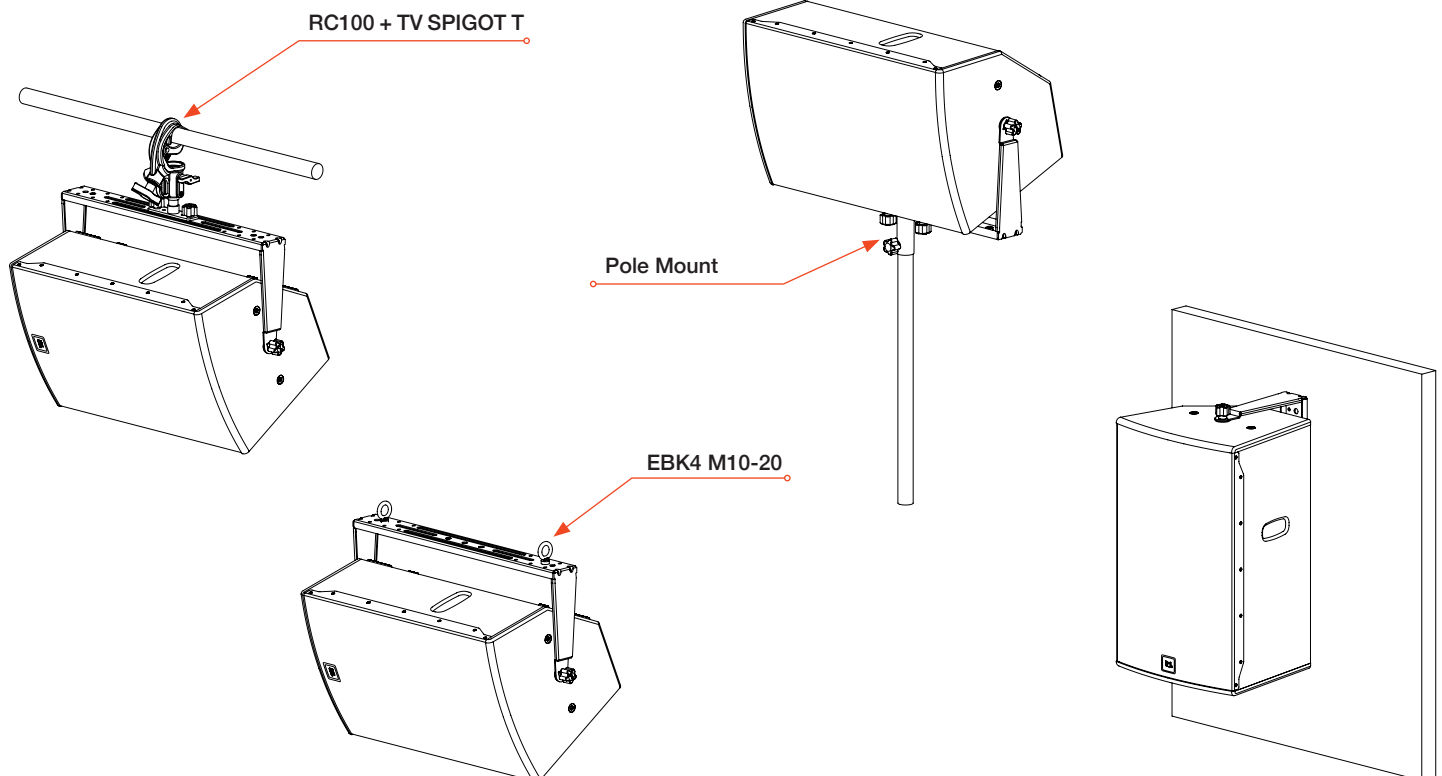


HIGHLIGHTS

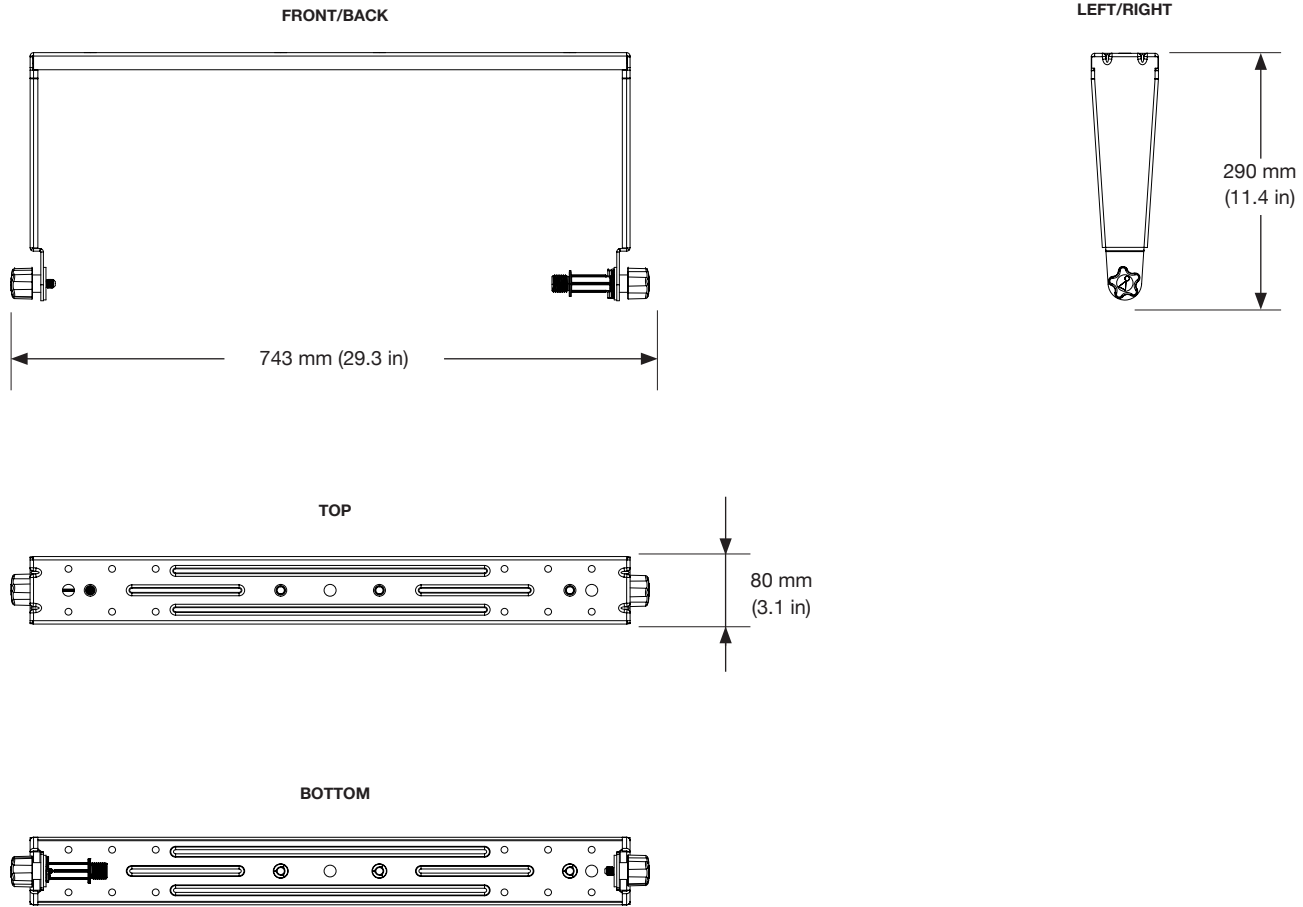
- Versatile Horizontal U-Bracket for SRX915M
- Compatible with the RC100 rotating clamp
- Support for third-party clamps
- Support for M10 suspension points
- Compatible with the Pole Mount adapter

DESCRIPTION

The SRX915M UBH is a versatile U-bracket accessory designed for use with the SRX915M to support both horizontal and vertical mounting configurations. The bracket connects to the speaker using one of the M10 QuickLink™ attachment points and the included M10 pole cup adapter. Several M12 through holes are provided for use with standard pipe or truss clamp adapters. The bracket is also compatible with the JBL RC100 rotating clamp which allows for a full 360 degree horizontal rotation when combined with the TV SPIGOT T accessory. Two M10 eye bolt attachment points are available for suspending SRX915M speakers using wire or cable. The SRX915M UBH can also be used for pole-mounted configurations when combined with the optional Pole Mount adapter. For additional information on the SRX915M UBH and related use cases, refer to the **SRX900 Series Rigging Manual**.



DIMENSIONS



TECHNICAL SPECIFICATIONS

PHYSICAL	
Construction :	Steel with anti-corrosion coating
Finish :	Black powder coat
Dimensions (H x W x D)¹ :	290 mm x 743 mm x 80 mm (1.4 in x 29.3 in x 3.1 in)
Net Weight² :	2.8 kg (6 lbs)
Shipping Weight :	4.2 kg (9 lbs)
ORDERING INFORMATION	
SKU :	JBL-P3496 SRX915M UBH
Included :	(1) U-Bracket (1) M10 Pole Mount Adapter

Footnotes:
 1: Refer to the 2D and 3D Customer Drawings for more detailed dimensions.
 2: Weight does not include the speaker or any other accessories such as clamps.

JBL continually engages in research related to product improvement. Some materials, production methods and design refinements are introduced into existing products without notice as a routine expression of that philosophy. For this reason, any current JBL product may differ in some respect from its published description, but will always equal or exceed the original design specifications unless otherwise stated.