

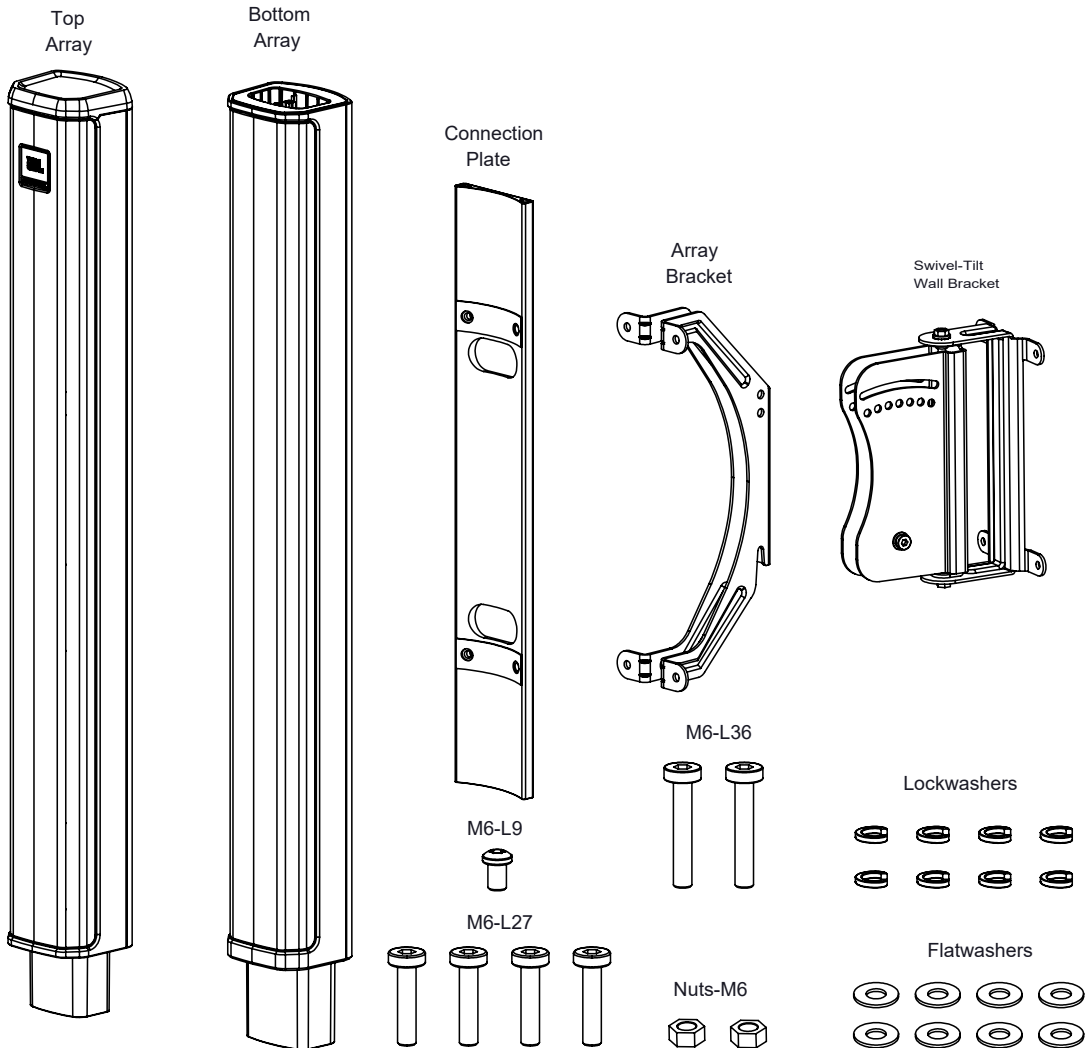


PRX ONE

JBL A.I.M. ACOUSTICS | 7CH MIXER WITH EFFECTS | POWERFUL APP CONTROL

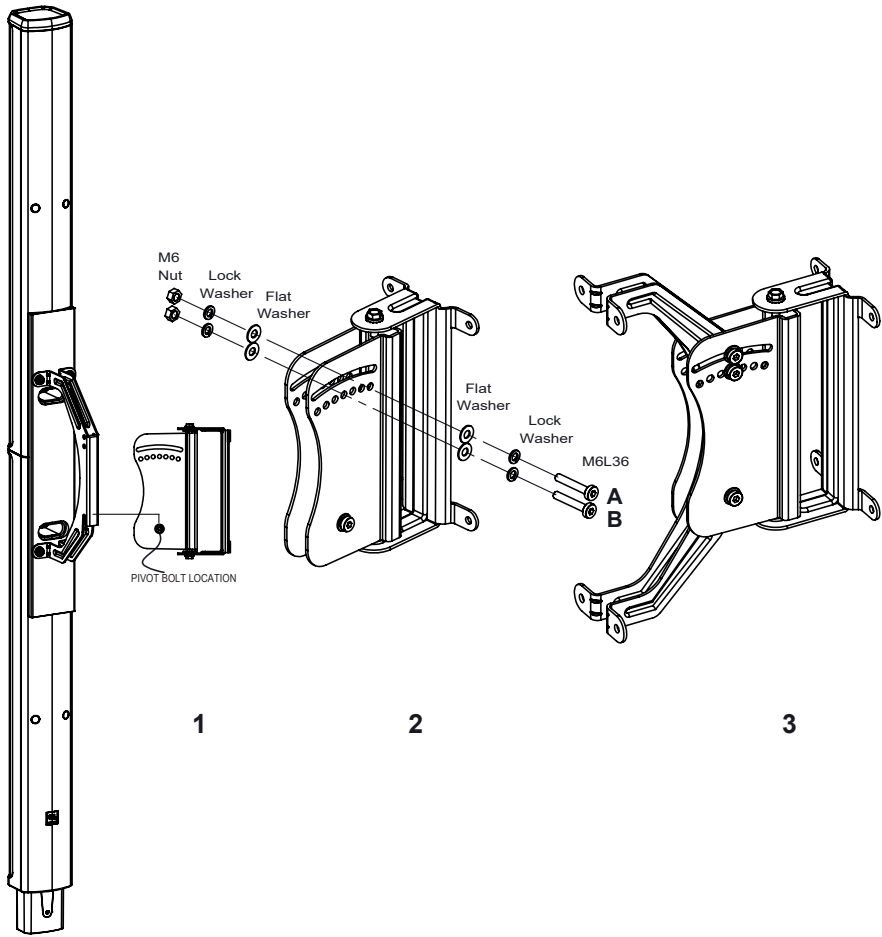
INSTALL ADAPTER BRACKET KIT ASSEMBLY & BRACKET INSTALLATION GUIDE

INCLUDED:



6) SLIDE ARRAY WITH ARRAY BRACKET ONTO WALL BRACKET

- 1 Once the wall mount has been attached to the wall and Array mount has been attached to the Array, loosely install the M6-L36 PIVOT BOLT (bolt, lock washer and flat washer on one side and flat washer, lock washer & nut on the other side) of the WALL BRACKET. Then slide the Array so that the ARRAY BRACKET engages into the WALL BRACKET, dropping the hook slot of the ARRAY BRACKET onto the PIVOT BOLT as shown in Drawing 1.

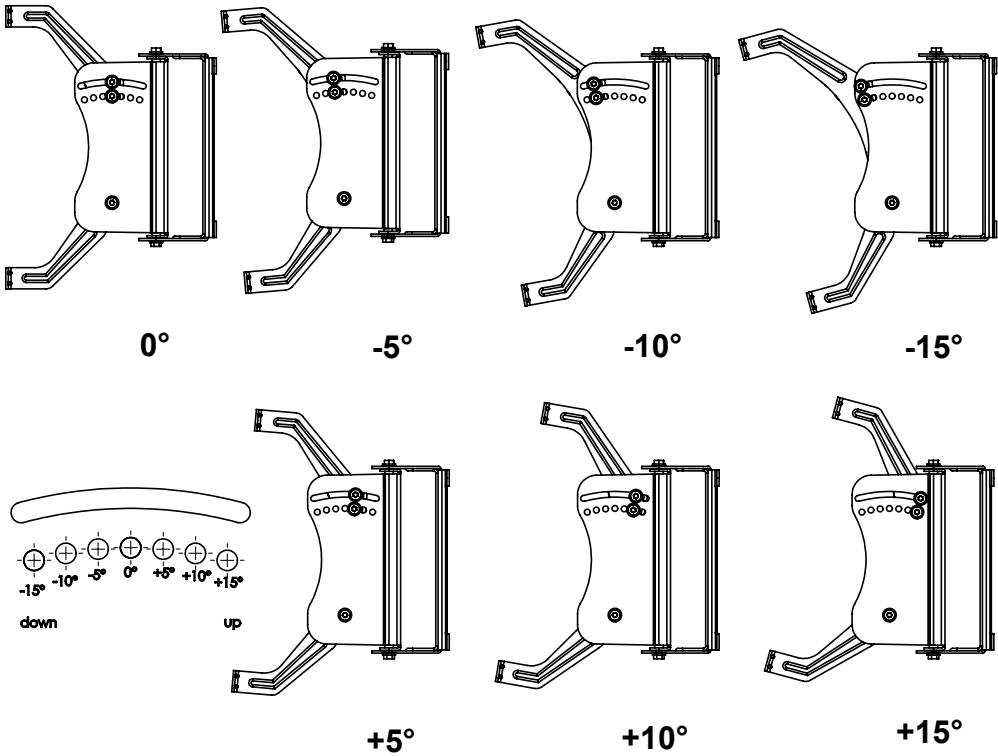


- 2 Insert the top tilt-angle bolt through the appropriate hole – first insert screw suit A through the slot for continuous adjustment capability, then insert the screw suit B through one of the preset angle holes (see next page for more information about tilt angles). Install with M6-L36 bolt, lock washer and flat washer on one side and flat washer, lock washer & nut on the other side, as shown in Drawing 2 . Make sure the bolt goes through holes in WALL BRACKET and in ARRAY BRACKET.
- 3 Final BRACKET ASSEMBLY is shown in Drawing 3 .

TIGHTEN THE BOLTS.

7) MORE ABOUT TILT ANGLES -- The bracket allows for +/-15 degrees of up or down tilt. Because of the height of the speaker(2Arrays+1Adapter), make sure there are no bulges on the wall as the end of the speaker may hit them at any angle within the -15° to +15° area.

PRE- SET ANGLES and CONTINUOUSLY VARIABLE ANGLE -- The bracket has through holes for mounting angles of +/- 15 degrees in 5 degree increments. There is also a slot above the set of holes for continuously variable adjustment. The pre-set angles are recommended for accurate aiming in 5 degree increments and the slot for any angle between 5 degree increments. Either can be utilized for setting the speaker's tilt angle.



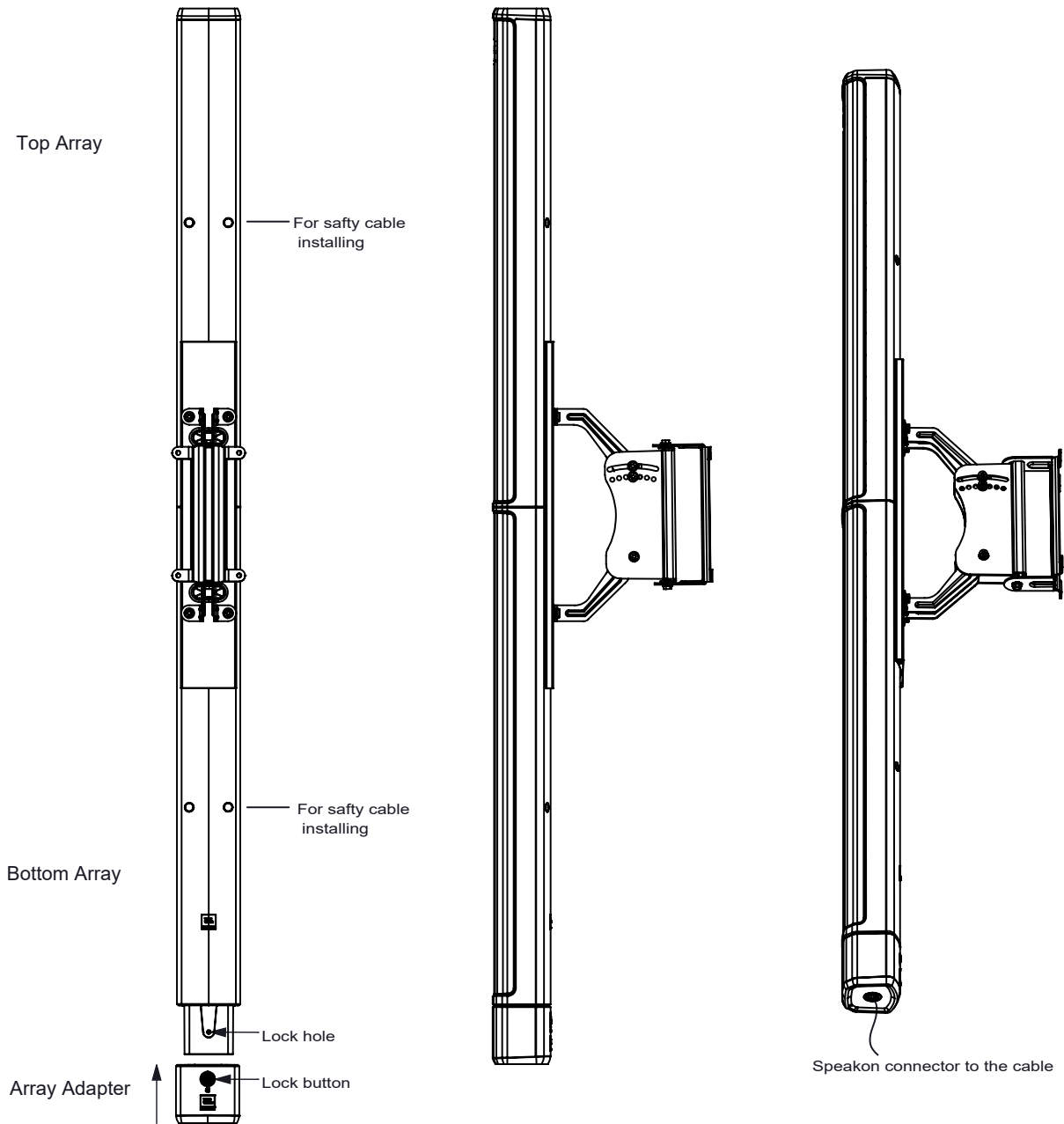
8) SET THE SWIVEL (PAN) ANGLE – Loosen the top and bottom bolts on the pivot. Adjust the side-to-side swivel (ie, pan) aiming angle of the speaker. Tighten the bolts securely.

Maximum Swivel Angles before Wall Interference – The bracket swivels a full 90 degrees from side-to-side. However, when mounting the CBT speaker onto a wall, the side-to-side swivel is limited by the end of the speaker encountering the wall. The maximum swivel angle depends on the up/down tilt angle setting.

9) SAFETY CABLE - Attach a safety cable (not included) to any of the 6 mm inserts on the back of the PRX ONE - INSTALL ADAPTER BRACKET KIT cabinet using one of the extra included M6*L9 bolts or via an M6 forged shoulder steel eyebolt. Attach the other end of the cable to a secondary attachment point on the wall.

8) Install Adapter to Array

Insert Array adapter to the Bottom array. Once you hear a click, this indicates a secure installation



Final installation diagram showing

