

Technical Manual



JBL MP418SP/-1

SPECIFICATIONS

PROFESSIONAL

ACOUSTIC & ELECTRICAL SPECIFICATIONS:

- Nominal Impedance: 4 ohms
- Amplifier Power: 600W @ 4 ohms (Per Channel)
400W @ 8 ohms (Per Channel)
- Frequency Range: 36 Hz – 150 Hz (-10 dB)
- Sensitivity: 101 dB, 1 Watt @ 1 Meter

SYSTEM COMPONENTS:

- Cabinet: Enclosure MP418SP
- Grille: 128-00436-01
- Low Frequency Transducer: 460mm (18in.) 2241GPL, Cone Transducer (71126-03)
- DC Resistance: 2.5 ohm ±10% Aluminum Wire

AURAL SWEEP TEST SPECIFICATIONS:

- A. System Aural Sweep Test: 4V Input, 20 Hz to 400 Hz
- B. L.F. Aural Sweep Test: 7.0V Input, 20 Hz to 1.2 kHz

PHYSICAL SPECIFICATIONS:

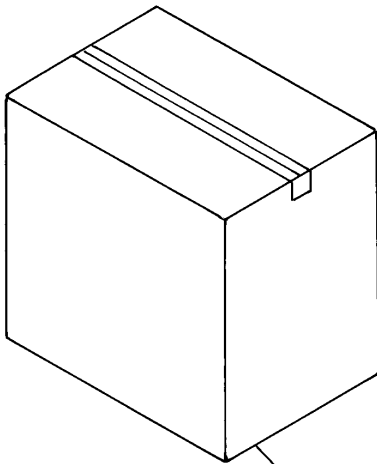
- Enclosure Dimensions: 617.9mm x 538.1mm x 776.6mm D
(24.33 x 21.19 x 30.57 in.D.)
- Shipping Weight: 139 lbs. (63 kg.)

WARRANTY INFORMATION:

- Refer to Warranty Statement packed with each product.

PACKAGE

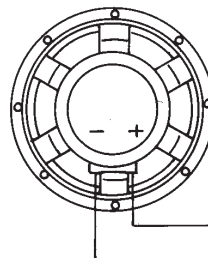
Warranty 59660
Owners Manual
MP418SP, MP418SP/230
338675-001



- Filler, Top/Bottom 337984-001
- Filler, Support 337985-001
- Microfoam SHT (8) 49790P
- Carton 337983-001

WIRING DIAGRAM

Driver, Low Freq
2241GPL
(71126-03X)
Cone Repl
C4R2241



AMP
338360-002
230V
338361-002

SEE SCHEMATIC PAGE

JBL MP418SP/-1

COMPONENT EXPLODED VIEW

