

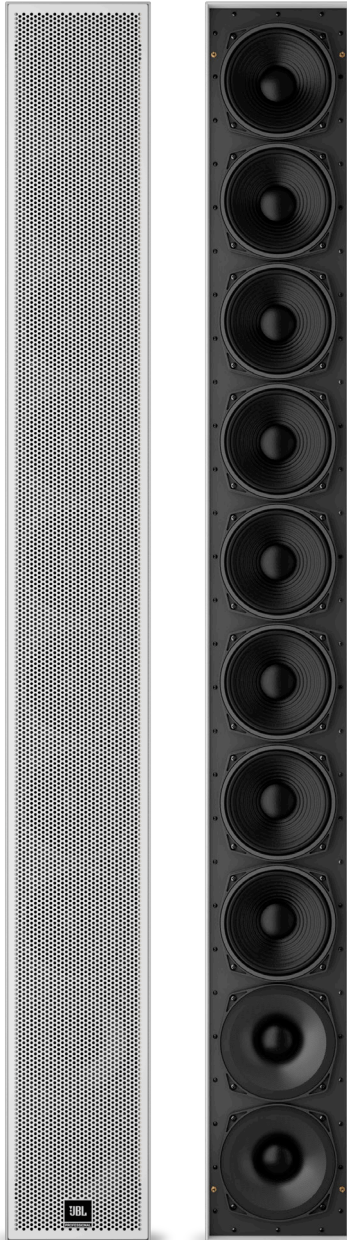
# HP-DS170D

Intellivox Series - Active Beam Shaping, Self Powered, Loudspeaker Array

JBL

PROFESSIONAL

## SPEC SHEET



### KEY FEATURES ■

- High Output column speaker
- Outdoor capable (IP55 rated)
- Speech Intelligibility with Expanded Frequency Response
- Beam Shaping (DDS Technology)
- Wide Horizontal Dispersion
- Built-in 32-bit floating point DSP & Amplification

### HIGHLIGHTS ■

Part of JBL's Intellivox range of column speakers, HP-DS170D is a high-power and high-output, 2-way, wide-bandwidth beam-shaping powered loudspeaker with a high degree of outdoor capability.

It features our highly advanced Digital Directivity Synthesis (DDS) beam shaping algorithm. This allows custom shaping of the directivity pattern for the JBL Intellivox arrays to produce a beam which is tailored to precisely match the audience area within the space in which they are installed. As a result, the sound is aimed directly where it is needed – straight at the listener while avoiding the hard, reflective surfaces.

It features ten high efficiency, 6.5" loudspeakers and two coaxially mounted 1" compression drivers, driven by twelve 100W class-D amplifiers. The horizontal coverage is 100° whereas the vertical coverage is adjusted using DDS algorithm. HP-DS170D can deliver up to 106 dB SPL over an area of up to 30 meter while maintaining an even sound pressure throughout.

The onboard twelve-channel, 32-bit floating-point DSP delivers powerful processing capabilities, including an 8-band parametric equalizer, compensation filters, up to 20 seconds of delay, a limiter, and volume control—equipping installers with all the tools needed for precise system setup. HP-DS170D also features AVC (Automatic Volume Control) via built-in ambient mic, ensuring a consistent sound level for the listener.

The unit is controlled using our proprietary WinControl software which offers user friendly control of the beam steering parameters, audio processing and surveillance features. Remote monitoring of parameters like status of the DSP, amplifiers and loads, external pilot tone, status of the ambient noise sensing microphone, chassis temperature, ambient temperature, and control for the input section is available.

Its modest array length makes the HP-DS170 suitable to fit unobtrusively into spaces with challenging architectural and acoustical factors. easy and unobtrusive implementation in even the most architecturally sensitive environment.

The speaker accepts both Analog line level balanced audio and DANTE input with 8 x 8 Audio channels.

The auto ranging power supply is suitable for use across the globe accepting voltages from 100 to 240VAC.

HP-DS170D has a stainless steel (AISI 304) enclosure coated with an epoxy which is available by default in white (RAL9010) and can also be ordered in custom colour.

# HP-DS170D

Intellivox Series - Active Beam Shaping, Self Powered, Loudspeaker Array



## SPEC SHEET

### SPECIFICATIONS ■

#### ACOUSTICAL

Frequency Response ( $\pm 3$ dB) <sup>1,2</sup> :	140 - 18k Hz (+/-3 dB)
Coverage Pattern:	100° Horizontal x Adjustable Vertical
Max SPL <sup>3</sup> :	97dB Continuous, 105dB Peak (A-weighted at 30m)
Dynamic Range <sup>4</sup> :	>98dB
Transducers:	10 x 6.5" Full-Range, 2 x 1" horn loaded dome tweeter
Typical Throw:	25m

#### AUDIO INPUT

Analog Input 1 Type:	Transformer Balanced Line Level (0dBV nominal)
Analog Input 2 Type:	Transformer Balanced Line Level (0dBV nominal)
Analog Input 3 Type:	Transformer Balanced 100V Level (40dBV nominal)
Connectors for inputs 1,2:	3-way Phoenix (MC 1,5/ 3-ST-3,81)
Connector for input 3:	2-way Phoenix (MSTB 2,5/ 2-ST-5,08)
Maximum Peak Input 1,2 Levels:	+19dBV peak (+21.22 dBu)
Input Impedance for inputs 1,2:	6.8k $\Omega$
Input Impedance for input 3:	500k $\Omega$ (software configurable for monitoring)
Digital Input Type:	DANTE
Connectors:	Two 8p RJ-45 (Primary & Secondary)

#### AMPLIFIER

Type:	Class D
Continuous Power:	12 x 100W RMS (8 Ohm)
Peak Power:	650W

#### DSP

Sample Rate:	48.0 kHz (default)
Bit Depth:	32-bit Floating point
Latency <sup>5</sup> :	3.9 ms
A/D, D/A Converter:	24 bits (128 x oversampling)
Signal Processing:	21 sec (pre-delay) 2 x 10 sec (input channel delay) Equalizer and Compensation filtering Volume RMS and Peak limiters on each output Ambient Noise Sensing Autogain (fail-safe) 8 x Output filters + Delay Ring buffers

#### CONTROL

Network Interface Type:	Ethernet through Dante or RS-485
Connector:	8p RJ-45 or 5-way Phoenix (MC 1,5/ 5-ST-3,81)
Fault Monitoring:	Failure relay SPDT 125 mA / 24 V (software configurable to volt-free or impedance sensing modes)
Connector:	3-way Phoenix (MC 1,5/ 3-ST-3,81)

# HP-DS170D

Intellivox Series - Active Beam Shaping, Self Powered, Loudspeaker Array



## SPEC SHEET

### SPECIFICATIONS (Cont.) ■

AC POWER	
Mains Voltage Range:	100V to 240V, 50 to 60Hz
Connector:	3-way Phoenix (GMSTB 2,5/ 3-ST-7,62)
Max mains inrush current:	10 A short-time peak (230 V)
Current Draw <sup>6</sup> :	35W (idle) / 170W (male speech STIPA) / 860W (full load)
GENERAL	
Enclosure Material:	Stainless steel (AISI 304) with epoxy coating
Colour:	Enclosure and grill RAL9010 (White) Speaker Baffle RAL9011 (Black)
Dimensions (H x W x D) <sup>7</sup> :	1698 x 198 x 189 mm (66.9 x 7.8 x 7.4 inch)
Temperature Range:	0 to 50 °C (32 - 122 °F)
Net Weight:	56 kg (123 lbs)
Shipping Weight:	81 kg (178.5 lbs)
Environmental Standards:	CE, CSA/UL, CCC EMC EN 55103-1:2009 + A1:2012; E1, E2, E3 + CISPR 32:2015 EMC EN 55103-2:2009; E1, E2, E3 Safety IEC 60065:2014 (8th edition)
Enclosure Protection <sup>8</sup> :	IP55
Included Accessories	Cable gland plate with two M25 holes; connector set
Optional Accessories	Program Set Universal USB

#### Notes:

1. Measured outside under semi-anechoic 'full-space' conditions with typical filter and delay settings unless stated otherwise.
2. Single transducer data is determined from 1/3 octave averaged data measured on-axis. The frequency response of the complete array is depending on the actual signal processing parameters and air absorption (at larger distances). A typical bandwidth is specified for the complete array under 'full-space' radiation conditions. Frequency extremes represent -3dB values with respect to the reference level in the transition band.
3. Levels are valid for pink noise (100 to 20k Hz bandwidth) with a crest factor of 8 dB. Default EQ and minimum opening angle setting. 'Continuous' is the RMS level, 'Peak' is the absolute peak level, both determined at the onset of the output limiters.
4. Valid for each amplifier output individually. Measured as the difference (in dB) between the maximum rms output level (with sine input signal) and the A-weighted rms noise output level within 20 to 20k Hz bandwidth (open input, no signal present). All filters flat and all gains set to 0 dB. Overall acoustical dynamic range for a nominal device configuration will exceed the specified figure.
5. Minimum latency due to hardware and frame processing from analogue input to amplifier output.
6. Typical values, valid for nominal operating temperature.
7. Depth including mounting hinge brackets and HF compression driver covers.
8. Defined according to EN 60529:1991/A1:2000.

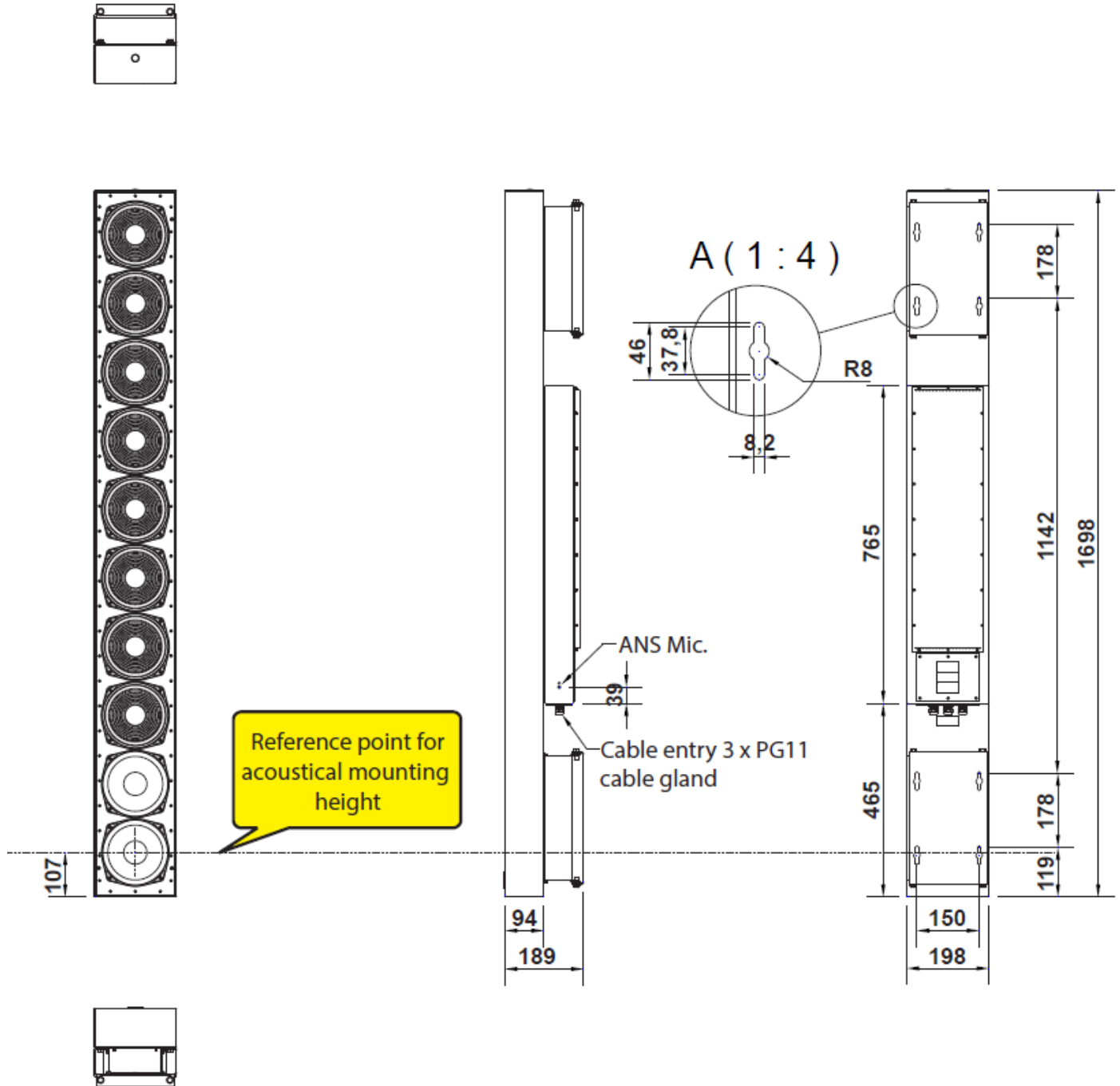
# HP-DS170D

Intellivox Series - Active Beam Shaping, Self Powered, Loudspeaker Array



## SPEC SHEET

### DIMENSIONS / MECHANICAL DETAILS



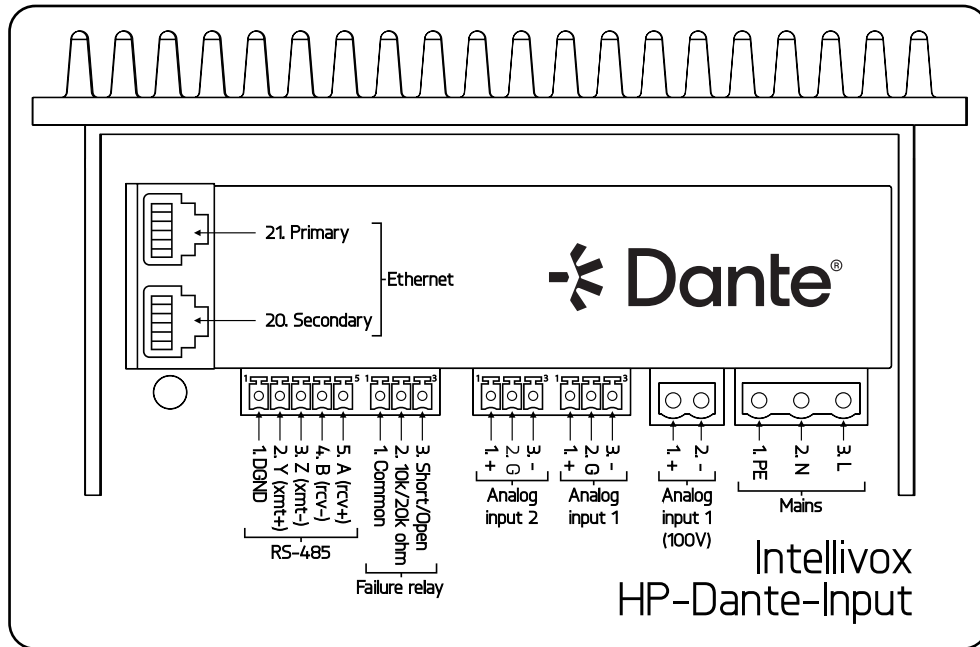
# HP-DS170D

Intellivox Series - Active Beam Shaping, Self Powered, Loudspeaker Array

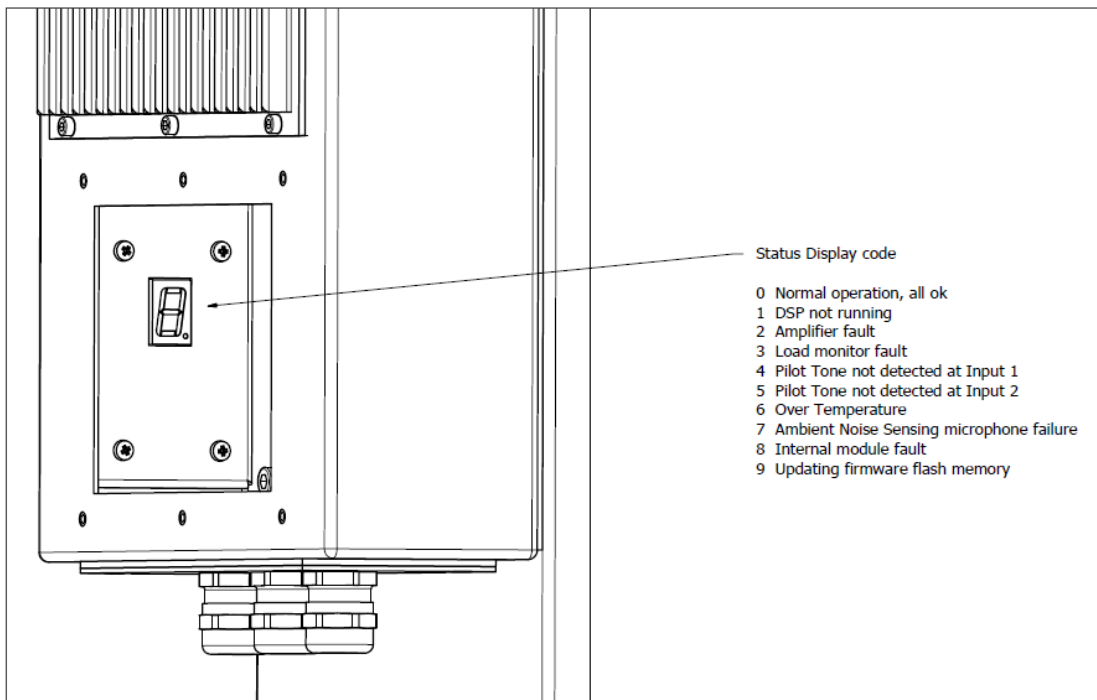


## SPEC SHEET

### CONNECTORS ■



### LED DISPLAY ■



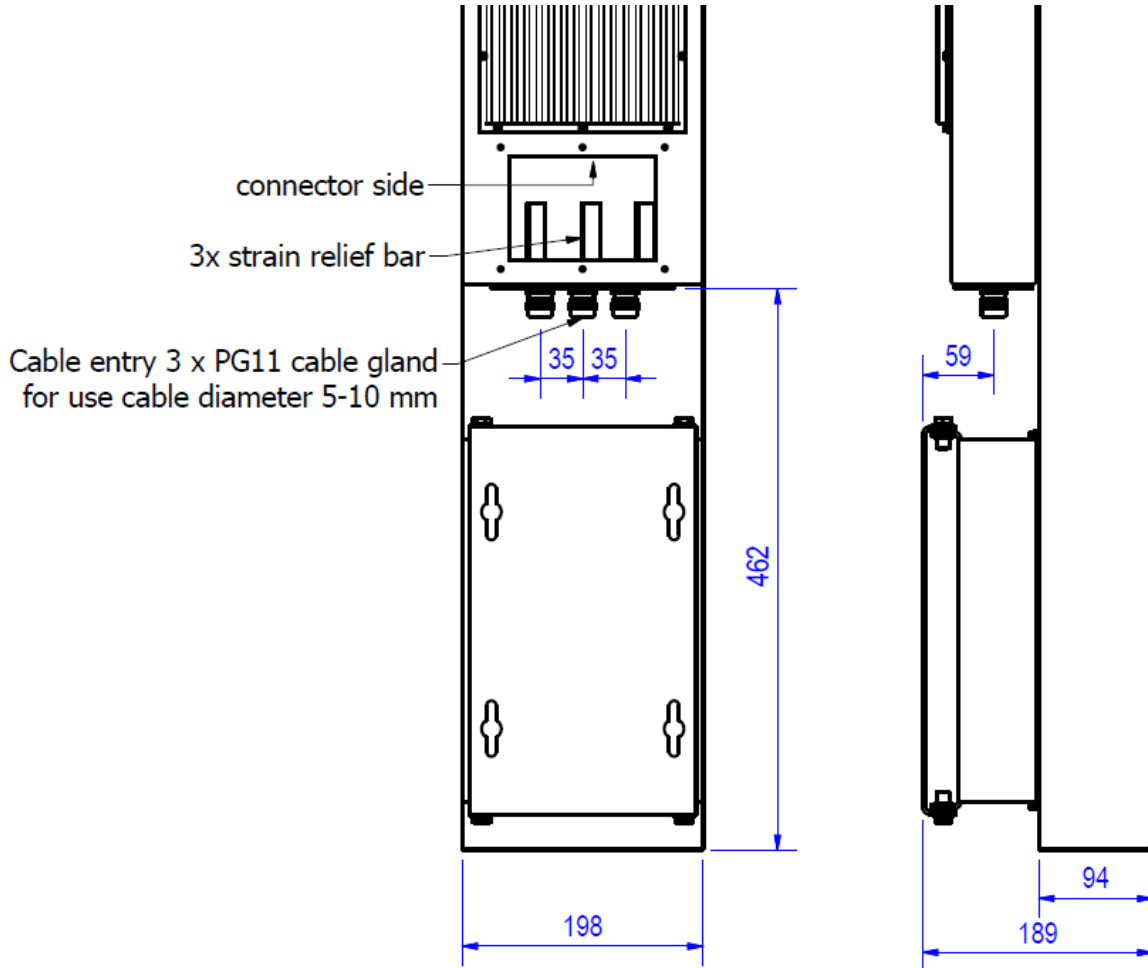
# HP-DS170D



Intellivox Series - Active Beam Shaping, Self Powered, Loudspeaker Array

## SPEC SHEET

### CABLE ENTRY DETAILS ■



HARMAN Professional Inc. 8500 Balboa Blvd. Northridge, CA 91325 USA

© 2026 HARMAN International Industries, Incorporated. All rights reserved.  
Features, specifications and appearance are subject to change without notice.

[www.jblpro.com](http://www.jblpro.com)

Version: 01-09-2026