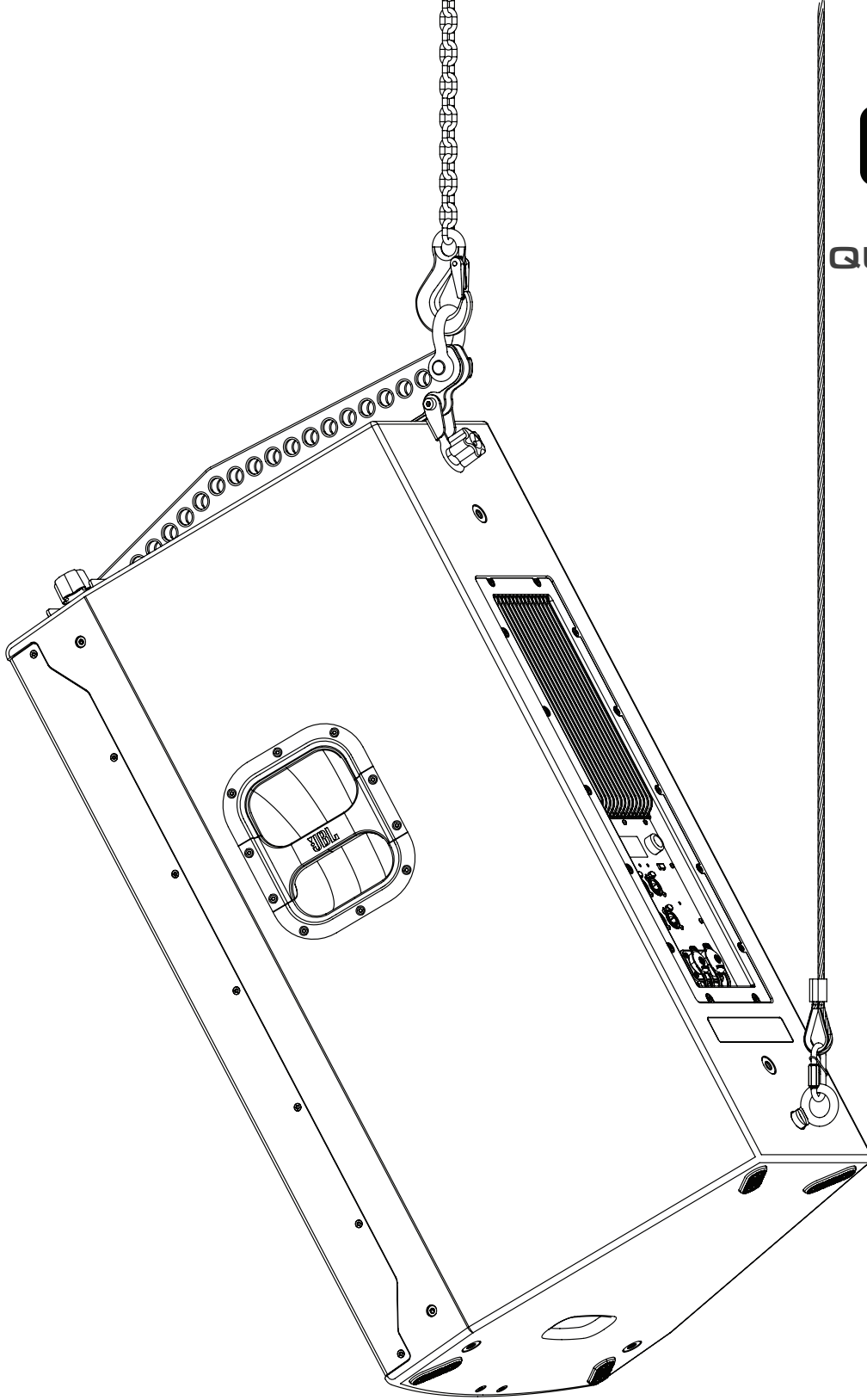


EBK4 | M10-20

QUICK START GUIDE



GENERAL INFORMATION

EBK4 M10-20 | Quick Start Guide

Part Number: 5157461-00

Version: A EN

Distribution Date: February 18, 2026

Copyright © 2026 HARMAN Professional, Inc. All rights reserved.

JBL PROFESSIONAL

8500 Balboa Boulevard

Northridge, CA 91325, USA

www.jblpro.com

TABLE OF CONTENTS

| | |
|---|-----------|
| 1 - DOCUMENT REVISION HISTORY | 4 |
| 2 - SAFETY | 5 |
| 2.1 Safety Instructions | 5 |
| 2.2 General Hardware Information | 5 |
| 2.3 Attachment to Structures | 5 |
| 2.4 Important Safety Warning | 5 |
| 2.5 Are You New to Rigging? | 6 |
| 2.6 Inspection and Maintenance | 6 |
| 2.7 Symbols | 7 |
| 2.8 Personal Protective Equipment (PPE) | 7 |
| 3 - INTRODUCTION | 8 |
| 4 - INSTALLATION | 9 |
| 5 - MECHANICAL LIMITS | 10 |
| 5.1 Loading Direction | 10 |
| 6 - DIMENSIONS | 11 |
| 7 - TECHNICAL SPECIFICATIONS | 11 |
| 8 - CONTACT INFORMATION | 12 |

1 - DOCUMENT REVISION HISTORY

| VERSION | RELEASE DATE | CHANGES |
|-----------|-------------------|---|
| Version A | February 18, 2026 | • Initial EBK4 M10-20 Quick Start Guide |

2 - SAFETY

2.1 SAFETY INSTRUCTIONS

1. Read these instructions.
2. Keep these instructions.
3. Heed all warnings.
4. Follow all instructions.
5. Do not expose the product to direct rain or sea spray.
6. Clean only with a dry cloth.
7. Do not install near any heat sources such as radiators, heat registers, stoves, or other apparatus that produce heat.
8. Only use attachments/accessories specified by the manufacturer.
9. Use only with a cart, stand, tripod, bracket, or table specified by the manufacturer or sold with the apparatus. When a cart is used, use caution when moving the cart/apparatus combination to avoid injury from tip-over.
10. Refer all servicing to qualified service personnel. Servicing is required when the apparatus has been damaged in any way, such as if liquid has been spilled or objects have fallen into the apparatus, or if the apparatus has been exposed to rain or moisture, does not operate normally, or has been dropped.
11. Contact JBL Professional for advanced servicing issues.
12. **CAUTION - DO NOT PERFORM ANY SERVICING UNLESS YOU ARE QUALIFIED TO DO SO.**
13. Read this **Quick Start Guide** before installation and use of the product.
14. Read and fully understand the product specific user manual, rigging manual and all safety instructions before operating, suspending or installing JBL products with this or any other accessory. Always refer to the latest manual version from www.jblpro.com

2.2 GENERAL HARDWARE INFORMATION

Any hardware used in an overhead suspension application must be load rated for the intended use. Generally, this type of hardware is available from rigging supply houses, industrial supply catalogs, and specialized rigging distributors. Local hardware stores do not usually stock these products. Compliant hardware will be referenced with a working load limit (WLL) and a traceability code.

2.3 ATTACHMENT TO STRUCTURES

A licensed Professional Engineer must approve the placement and method of attachment to the structure prior to the installation of any overhead object. The following performance standards should be provided to the Professional Engineer for design purposes: Uniform Building Code as applicable, Municipal Building Code as applicable, and Seismic Code as applicable. The installation of the hardware and method of attachment must be carried out in the manner specified by the Professional Engineer. Improper installation may result in damage, injury, or death.

2.4 IMPORTANT SAFETY WARNING

The information in this section has been assembled from recognized engineering data and is intended for informational purposes only. None of the information in this section should be used without first obtaining competent advice with respect to applicability to a given circumstance. None of the information presented herein is intended as a representation or warranty on the part of JBL. Anyone making

use of this information assumes all liability arising from such use.

All information presented herein is based upon materials and practices common to North America and may not directly apply to other countries because of differing material dimensions, specifications, and/or local regulations. Users in other countries should consult with appropriate engineering and regulatory authorities for specific guidelines.

Correct use of all included hardware is required for secure system suspension. Careful calculations should always be performed to ensure that all components are used within their working load limits before the array is suspended. Never exceed the maximum recommended load ratings. Use only load-rated hardware when suspending JBL suspendable loudspeaker models.

2.5 ARE YOU NEW TO RIGGING?

If you are new to rigging, you should:

- Know the rules for safe rigging.
- Attend a safe rigging seminar.
- Meet and establish a relationship with a licensed mechanical or structural engineer. Get in the habit of asking them questions instead of assuming their answers. Learn from what they tell you.
- Research and understand the codes, practices, and requirements of the venues where you intend to operate your sound system.

2.6 INSPECTION AND MAINTENANCE

Suspension systems are comprised of mechanical devices and, as such, require regular inspection and routine maintenance to ensure proper functionality. Before suspending or pole mounting any speaker system, always inspect all components (enclosure, suspension frames or brackets, pins, eyebolts, etc.) for cracks, deformations, corrosion, or missing/loose/damaged parts that could reduce strength and safety of the array. Do not suspend or pole mount a speaker until the proper corrective action has been taken.

Installed systems should be inspected at least once a year. The inspection must include a visual survey of all corners and load-bearing surfaces for signs of cracking, water damage, delamination, or any other condition that may decrease the strength of the loudspeaker enclosure.

Accessory suspension hardware provided with or for systems must be inspected for fatigue at least once a year or as required by local ordinance. The inspection must include a visual survey of the material for signs of corrosion, bending, or any other condition that may decrease the strength of the fastener. Additionally, any eyebolts must be checked for possible spin-out of the enclosure.

For all other hardware and fittings, refer to the hardware manufacturer's inspection and maintenance guidelines for process.

JBL is not responsible for the application of its products for any purpose or the misuse of this information for any purpose. Furthermore, JBL is not responsible for the abuse of its products caused by avoiding compliance with inspection and maintenance procedures or any other abuse.

Prior to suspending the system, an expert, trained and experienced in suspending speaker systems, should inspect all parts and components.

2.7 SYMBOLS

The following symbols are used in this document:



CAUTION: This symbol gives notice of a potential risk of harm to the individual or the equipment. Instructions marked with this symbol must be strictly followed.



TIP: This symbol gives notice of helpful, relevant information about the topic.



INSTRUCTIONS: This symbol gives notice of instructions that must be followed for proper installation and use of the product.



TOOLS REQUIRED: This symbol gives notice of tools that must be used for proper installation and use of the product.



TIPPING HAZARD: This symbol gives notice of potential tip hazard. Use caution when moving the cart/apparatus combination to avoid injury from tip-over.

2.8 PERSONAL PROTECTIVE EQUIPMENT (PPE)

Appropriate personal protective equipment (PPE) must be worn whenever installing, adjusting, or removing rigging hardware or loud-speakers. This includes, but is not limited to, safety helmets, protective footwear, gloves, and eye protection. PPE helps reduce the risk of injury from falling objects, sharp edges, pinch points, and other hazards commonly present during rigging operations. PPE requirements may vary by jurisdiction and local safety regulations must always take precedence. Always follow applicable local regulations, workplace safety requirements, and site-specific safety procedures when performing rigging tasks.



HEADWEAR: Protective headwear shall be worn.



FOOTWEAR: Protective footwear shall be worn.



GLOVES: Protective gloves shall be worn.



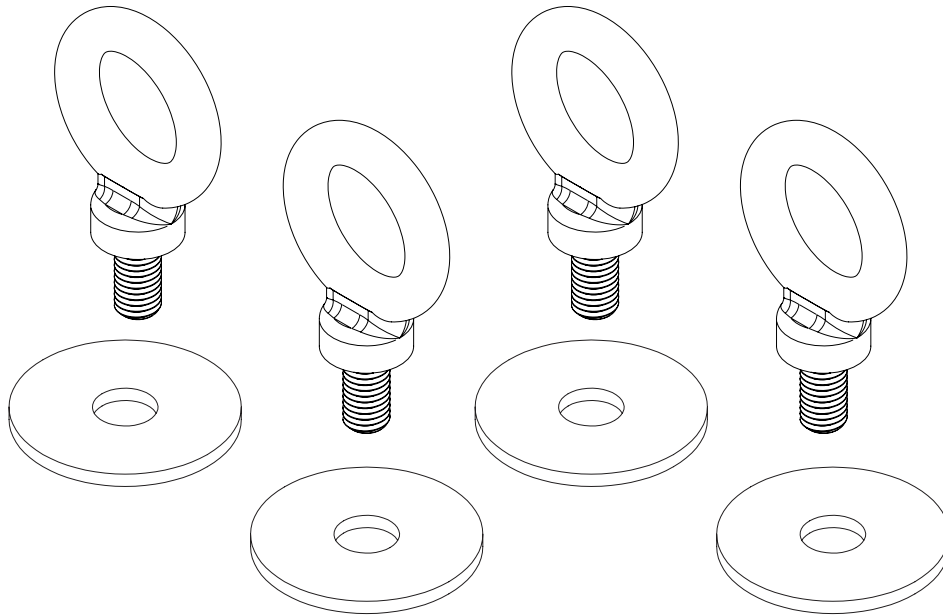
EYEWEAR: Protective eyewear shall be worn.



LIFTING: Practice safe lifting.

3 - INTRODUCTION

The EBK4 M10-20 Eyebolt kit includes four M10 x 20 mm shoulder steel eyebolts for suspension of JBL products fitted with QuickLink™ M10 attachment points. Four load spreading washers for use with wooden and plastic enclosures are included. The eyebolt is DIN 580 compliant and is load tested to exceed the requirements of DIN 580, ISO 3266, and ASME B18.15.

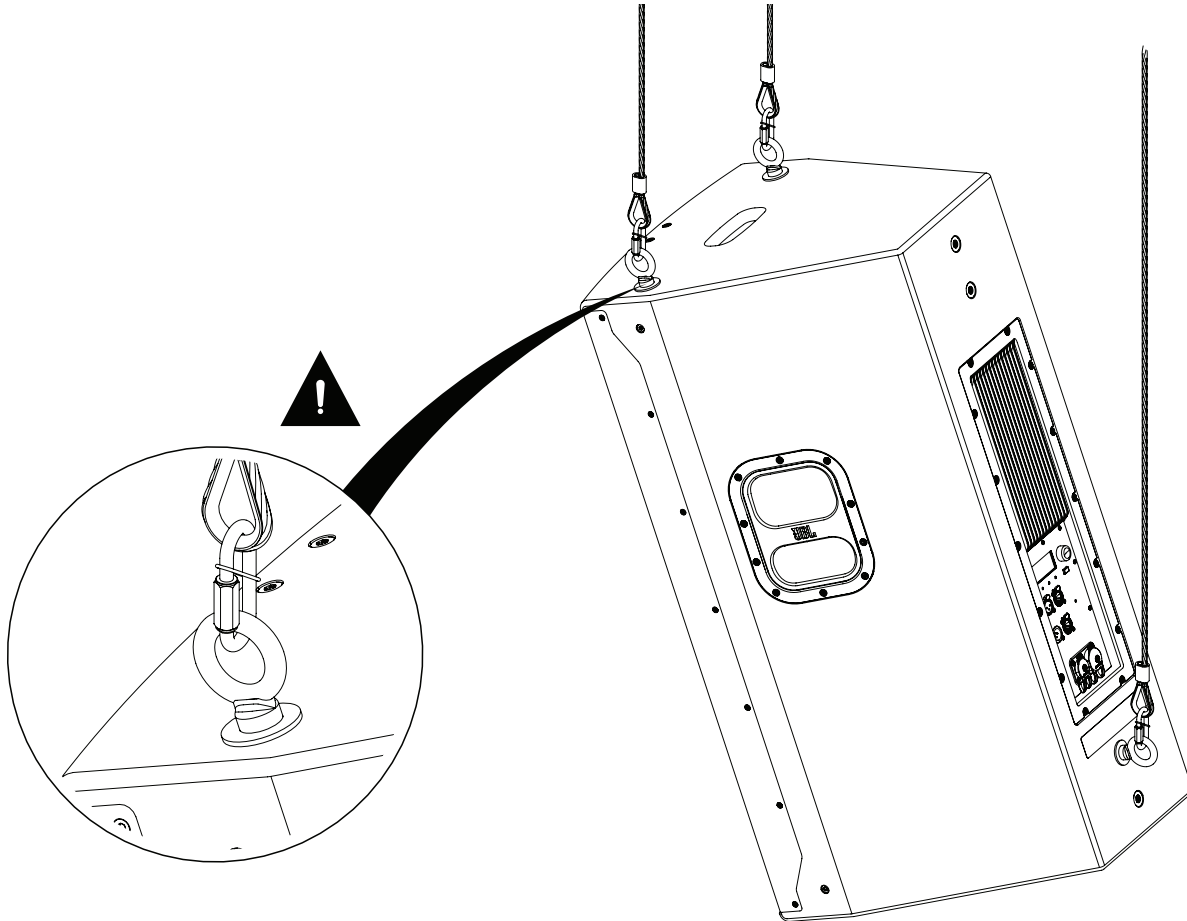


CAUTION: SPECIFICATIONS ON LOAD BEARING CAPACITY ONLY APPLY IF:

- ❶ Lifting eyebolt threaded shank is fully engaged and firmly screwed down
- ❷ Material of equipment is capable of supporting the stress induced without deformation
- ❸ Lifting eyebolt should be inspected before use for damage or deformation
- ❹ Deformed eyebolts should not be used
- ❺ Lifting eyebolt shall not be laterally loaded

4 - INSTALLATION

The EBK4 M10-20 Eyebolt Kit is designed for use with JBL loudspeakers equipped with QuickLink™ M10 attachment points. The kit includes four eyebolts and four large washers. The washers must always be used to evenly distribute the load, provide preload to allow proper eyebolt orientation, and protect the enclosure surface from damage.



STEPS:

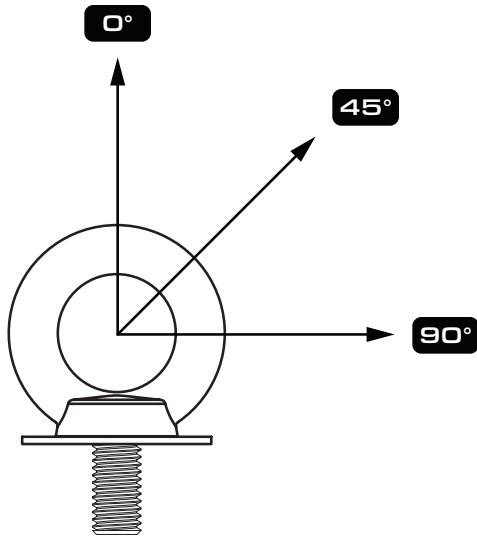
- 1 **Inspect Threads** - Ensure both the eyebolt and the loudspeaker threads are clean and free of debris or damage.
- 2 **Install Washer** - Place the supplied washer onto the eyebolt thread so it sits between the eyebolt and the enclosure surface.
- 3 **Thread Eyebolt** - Insert the eyebolt into the M10 attachment point and rotate by hand until fully seated.
- 4 **Fully Seat Eyebolt** - Tighten the eyebolt until the shoulder makes full contact with the washer and enclosure surface.
- 5 **Orient Toward Load** - Rotate the eyebolt so the eye is aligned in the direction of the intended load.
- 6 **Repeat as required** - Install additional eyebolts as required to safely support and aim the loudspeaker.



CAUTION: Finger-tighten the eyebolt until fully seated and the correct alignment is achieved. Do not rotate more than one complete turn after the eyebolt is fully seated.

5 - MECHANICAL LIMITS

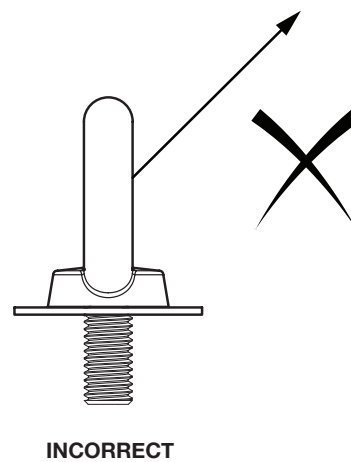
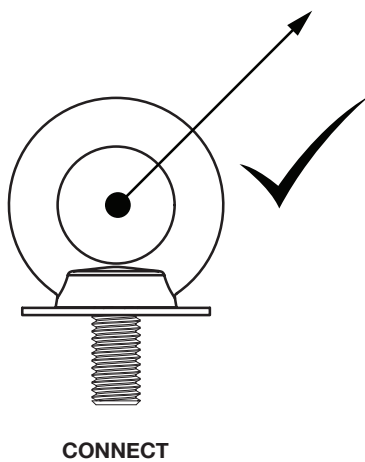
Eyebolt working load limit (WLL) is usually specified for vertical loading only. When an eyebolt is loaded at an angle, the applied force is no longer aligned with the eyebolt shank, introducing additional bending stresses and significantly increasing the effective load on the hardware. As the suspension angle increases, the allowable working load is reduced accordingly. Always account for load angle when designing a suspension system and never exceed the published working load limits.



| ANGLE | WLL |
|-------|-----------------|
| 0° | 230 kg (507 lb) |
| 45° | 170 kg (374 lb) |
| 90° | 115 kg (253 lb) |

5.1 LOADING DIRECTION

Eyebolts must be oriented so that the applied load is aligned with the plane of the eye, as shown on the left. Loading an eyebolt perpendicular to the plane of the eye, as shown on the right, introduces bending forces and significantly reduces the allowable working load. Always ensure eyebolts are oriented in the direction of load and never side-loaded or cross-loaded.

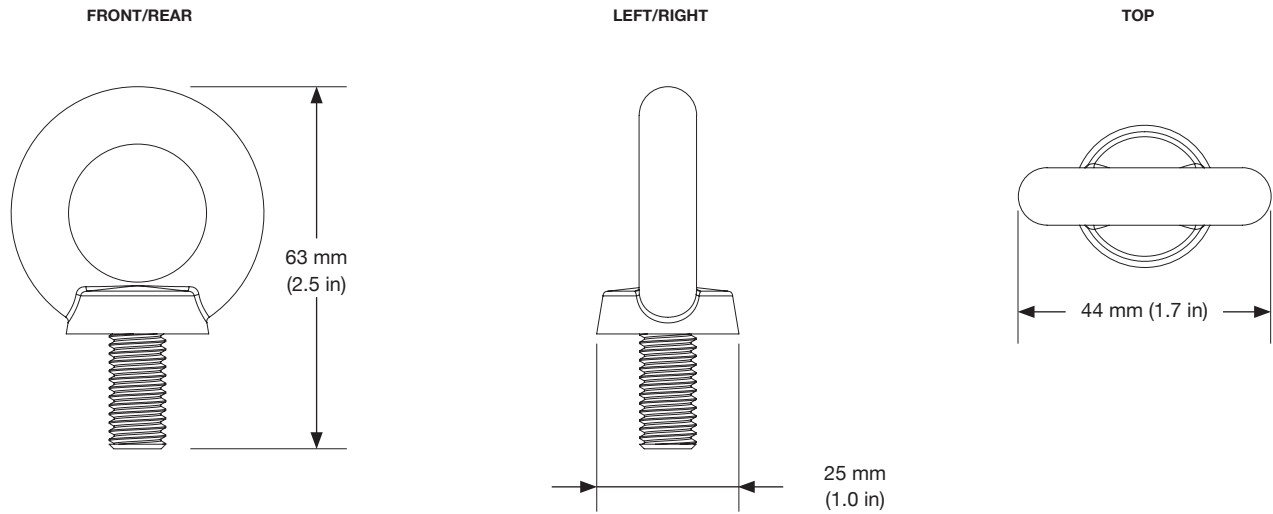


CAUTION: Eyebolts should be inspected before use for damage or deformation. Deformed eyebolts should not be used.



CAUTION: Never load an eyebolt perpendicular to the plane of the eye. Always ensure eyebolts are oriented in the direction of load.

6 - DIMENSIONS



7 - TECHNICAL SPECIFICATIONS

PHYSICAL

Construction

Eyebolt : Forged carbon steel
Washer : Stainless steel

Thread Type : M10 x 1.5

Shank Length : 20 mm

Eyelet Opening : 24 mm (1 in)

Working Load Limit (WLL) : See table on page 10

Safety Factor : 10:1

Dimensions (H x W x D) : 63 mm x 44 mm x 25 mm
 (2.5 in x 1.7 in x 1.0 in)

Net Weight¹ : 0.4 kg (1.0 lb)
Shipping Weight : 0.5 kg (1.1 lb)

ORDERING INFORMATION

SKU : JBL-P3417MX | EBK4 M10-20

Included : (4) M10 Eyebolts | (4) Washers

Footnotes:

1: Weight is for a complete kit, including (4) eyebolts and (4) washers

JBL continually engages in research related to product improvement. Some materials, production methods, and design refinements are introduced into existing products without notice as a routine expression of that philosophy. For this reason, any current JBL product may differ in some respect from its published description, but will always equal or exceed the original design specifications unless otherwise stated.

8 - CONTACT INFORMATION

UNITED STATES OF AMERICA

HARMAN Professional Solutions

8500 Balboa Blvd.
Northridge, CA 91325
USA
+1 (844) 776-4899
www.jblpro.com

U.S.A. Technical Support

+1 (844) 776-4899
HProTechSupportUSA@Harman.com
www.jblpro.com

PROFESSIONAL CONTACTS, OUTSIDE THE U.S.A.:

Contact the JBL Professional distributor in your area. A complete list of JBL Professional international distributors is provided at our U.S.A. website: www.jblpro.com

HARMAN Professional EMEA

Westside
London Road
Hemel Hempstead
HP3 9TD
United Kingdom
www.pro.harman.com
www.jblpro.com/support

HARMAN Professional APAC

108 Pasir Panjang Road
#02-08 Golden Agri Plaza
Singapore 118535
+65 6870-5000
www.pro.harman.com
www.jblpro.com/support

HARMAN Professional China

20F, China Merchants Port Plaza, #1
Gongye 3rd Road, Shekou, Nanshan
Dist.
Shenzhen, 518067, China
400 166 7806
www.harman.com/China
www.jblpro.com/support

China In-Country Support

ChinaPRO.Service@harman.com

HARMAN Professional India

Prestige Technology Park
Jupiter 2A Block, 4th Floor
Marathahalli Ring Road
Bangalore 560103, India
+1 (800) 208-8880
www.harman.com/India
www.jblpro.com/support

HARMAN Professional Brazil

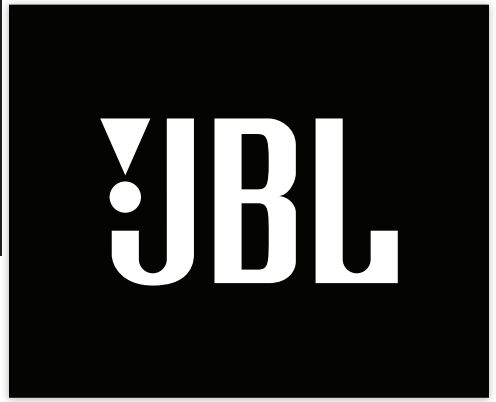
Br386, Km435 92480-000
Nova Santa Rita Rs
Brazil
+55 51 34794000
www.harman.com/Brasil
www.jblaudio.com.br
www.jblpro.com/support

India In-Country Support

www.harman.com/india/india-service-center

Brazil In-Country Support

tecnica@harman.com



PROFESSIONAL