



# 8281

## 8" High-Output Two-Way Full-Range Cinema Surround

### Professional Series

### Application:

Cost effective movie sound track sound reproduction for basic cinema and small-to-mid sized auditoriums

### Key Features:

- ▶ 65 Hz to 18 kHz Frequency Range
- ▶ High Sensitivity, 90 dB SPL, 1 W, 1 m (3.3 ft)
- ▶ High Power Handling Capability: 150 watts continuous pink noise
- ▶ Convenient mounting design uses JBL QuickMount™, Omnimount® or APC Multimount brackets
- ▶ Special cabinet shape incorporates 20° angled front baffle
- ▶ SMPTE/ISO2969 Curve X high frequency de-emphasis
- ▶ Wedge profile, rigid MDF enclosure with vinyl lamination enclosure
- ▶ Input terminals located on top of cabinet for quick access
- ▶ Uniform horizontal and vertical coverage

The 8281 Cinema Surround Speaker offers high power handling, high sensitivity, and extended bass response in a very compact enclosure. The two-way 8281's reliability and performance features position it as the ideal low cost, compact surround for the extended dynamic range required by digital sound formats.

The 8281 features a high power, long-throw 200 mm (8 in) low frequency driver for smooth, extended bass response. The high frequency section combines a 75mm (3in) paper cone tweeter for wide, even high frequency coverage. The 150 watt continuous power rating provides extended dynamic range required for digital soundtracks with absolute reliability.

Built to traditional JBL quality standards, the 8281 will stand up to long-term use under adverse conditions while delivering excellent performance.



### Specifications:

#### System:

Frequency Range (-10 dB):	65 Hz - 18 kHz
Frequency Response ( $\pm 3$ dB):	75 Hz - 12 kHz
Power Rating <sup>1</sup> :	150 watts
Sensitivity (1W/1m) <sup>2</sup> :	90 dB at full space; 92dB at half space
Nominal Impedance:	8 ohms
Maximum Peak SPL <sup>3</sup> :	118 dB, @ 1 m (3.3 ft) 124 dB peak
Hor. Coverage Angle (-6 dB):	100° averaged 400 Hz to 12 kHz
Vert. Coverage Angle (-6 dB):	90° averaged 400 Hz to 12 kHz
Crossover Frequency:	3000 Hz
High Frequency Contour:	ISO2969 Curve X surround contour
Polarity:	EIA (Positive voltage to RED terminal gives forward cone motion)

#### Low Frequency Transducer:

Nominal Diameter:	200 mm (8 in) 38 mm (1.5 in) voice coil
-------------------	--

#### High Frequency Transducer:

Nominal Diameter:	75 mm (3 in) 13 mm (0.5 in) voice coil
-------------------	---

#### Physical:

Downward Firing Angle:	Nominal 20° when mounted flush on back panel
Enclosure Material:	Vinyl laminated MDF
Grille Color:	Black
Input Connectors:	2-way binding posts
Dimension (H x W x D):	410 mm x 343 mm x 246 mm (16.1 in x 13.5 in x 9.7 in)
Net Weight:	6.6 kg ( 14.5 lbs)

<sup>1</sup> Rating based on test signal of IEC filtered pink noise with a peak-to-average ratio of 6 dB, 100 hours duration.

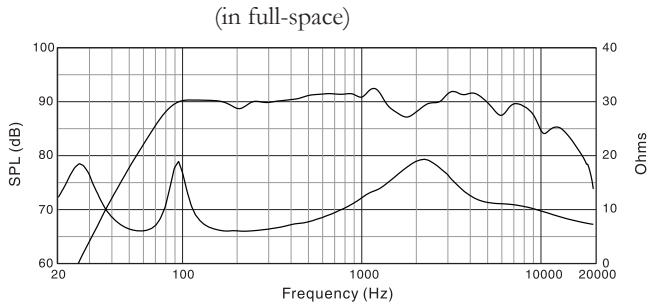
<sup>2</sup> Average measured sensitivity at 2.83V/1m from 200 Hz to 3 kHz.

<sup>3</sup> Calculated maximum SPL based on rated power handling and half-space sensitivity.

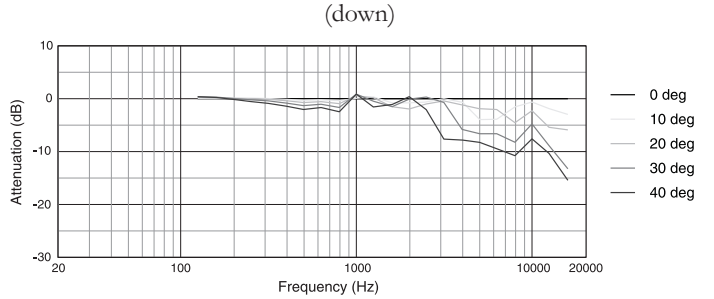
JBL continually engages in research related to product improvement. Some materials, production methods and design refinements are introduced into existing products without notice as a routine expression of that philosophy. For this reason, any current JBL product may differ in some respect from its published description, but will always equal or exceed the original design specifications unless otherwise stated.

# ► 8281 8" High-Output Two-Way Full-Range Cinema Surround Speaker

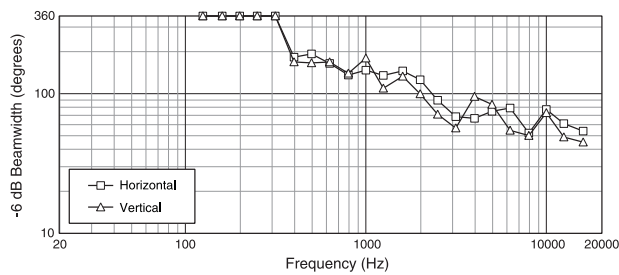
Frequency Response and Impedance:



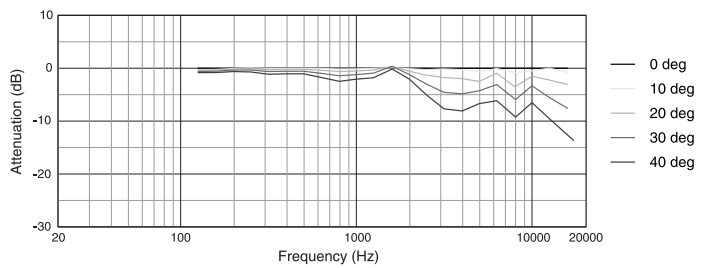
Vertical Off-Axis Frequency Response:



Beamwidth vs. Frequency:

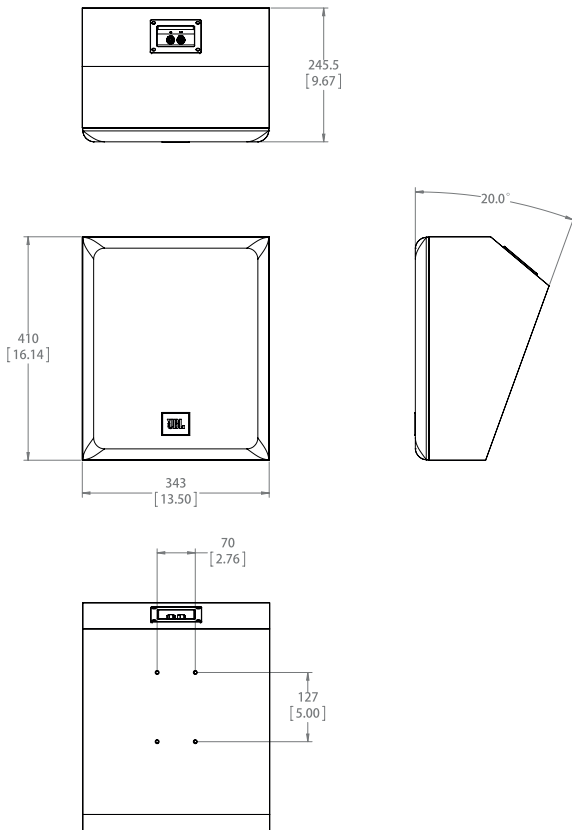


Horizontal Off-Axis Frequency Response:



Dimensions:

Dimensions in mm (in)



JBL Professional  
8500 Balboa Boulevard, P.O. Box 2200  
Northridge, California 91329 U.S.A.

© Copyright 2012 JBL Professional  
[www.jblpro.com](http://www.jblpro.com)

SS 8281  
SZ  
09/12