

# 3832

## Three-Way Bi-Amplified ScreenArray® Cinema Loudspeaker System



### Key Features:

- Three-way ScreenArray® design for maximum output, optimal coverage and minimum distortion
- Available for bi-amplified operation
- Large format 3" neodymium, titanium diaphragm, high frequency compression driver
- Mid/high section ships fully assembled
- Molded Optimized Aperture Waveguide technology for ultra-low distortion and extremely uniform frequency response
- SSC™ Screen Spreading Compensation
- Focused coverage technology
- Flat front waveguide design for easy baffle wall installation
- Shallow profile for minimum behind-screen depth requirements
- Connection on top of the speakers for easy wiring behind screen
- HF driver protection



### Description:

Today's premier cinemas require perfect coverage in every seat of the auditorium, wide dynamic range and extended bandwidth, as well as inaudible levels of distortion. Digital soundtracks, especially those associated with the latest digital cinema requirements, require sound systems that can accurately reproduce the sound exactly as recorded. The 3832 ScreenArray Cinema Loudspeaker System features true three-way design enhanced by advanced engineering. JBL's latest technical innovations are integrated into a system design that provides superior coverage, maximum power handling and uniform acoustic power output, along with extremely low distortion. The ScreenArray design provides ideal power response and directivity control with seamless transitions between acoustic sections.

### Specifications:

System [3832 Specifications in Brackets]	
Frequency Range	30 Hz – 20 kHz
Frequency Response (±3 dB)	40 Hz – 19 kHz
Hor. Coverage Angle (-6 dB)	90°
Vert. Coverage Angle (-6 dB)	20° up, 30° down
Crossover Frequencies	350 Hz, [1.2 kHz]
Rated Maximum SPL	125 dB @ 1m (3.3 ft), 131 dB peak
Net Weight	77.9 kg (172 lbs)
Shipping Weight	92.8 kg (205 lbs)
Dimensions (H x W x D)	1937 mm x 762 mm x 450 mm (76.3 in x 30 in x 17.75 in)
LF Component Electronics – Model 3839	
Low Frequency Transducers	2 x M115-8A, 380 mm (15 in) diameter, 64 mm (2.5 in) edgewound ribbon voice coil transducers mounted in a 4509 LF enclosure
Input Connectors	Push terminal binding posts
Nominal Impedance	4 ohms
Minimum Impedance	3.5 ohms @ 195 Hz
Input Power Handling (AES 100-Hour Rating)	500 W, 600 W recommended amplifier
Free-Field Sensitivity	104 dB SPL, 2.83 V @ 1 m (3.3 ft)
Dimensions (H x W x D)	883 mm x 762 mm x 450 mm (34.75 in x 30 in x 17.75 in)
Net Weight	54.9 kg (121 lbs)
Shipping Weight	69.9 kg (154 lbs)

M/HF Component Electronics – Model 3832-M/HF	
Mid Frequency Transducers (Ships Fully Assembled)	2 x 165H, 165 mm (6.5 in) diameter, 38 mm (1.5 in) voice coil
High Frequency Transducer (Ships Fully Assembled)	1 x 2432H, 75 mm (3 in) titanium diaphragm and voice coil diameter, 38 mm (1.5 in) exit diameter
Input Connectors	Screw terminal barrier strip
Nominal Impedance	M/HF: 8 ohms MF: 12 ohms HF: 8 ohms
Minimum Impedance	6.1 ohms @ 11 kHz
Free-Field Sensitivity	M/HF: 103 dB SPL, 2.83 V @ 1 m (3.3 ft) MF: 107 dB SPL, 2.83 V @ 1 m (3.3 ft) HF: 115 dB SPL, 2.83 V @ 1 m (3.3 ft)
Input Power Handling (AES 100-Hour Rating)	M/HF: 150 W, 300 W recommended amplifier MF: 150 W, 300 W recommended amplifier HF: 85 W, 200 W recommended amplifier
Dimensions (H x W x D)	1054 mm x 762 mm x 450 mm (41.5 in x 30 in x 17.75 in)
Net Weight	23.2 kg (51 lbs)
Shipping Weight	31.3 kg (69 lbs)

Specifications are stated in free-field (4pi) conditions.

JBL continually engages in research related to product improvement. Some materials, production methods and design refinements are introduced into existing products without notice as a routine expression of that philosophy. For this reason, any current JBL product may differ in some respect from its published description, but will always equal or exceed the original design specifications unless otherwise stated.

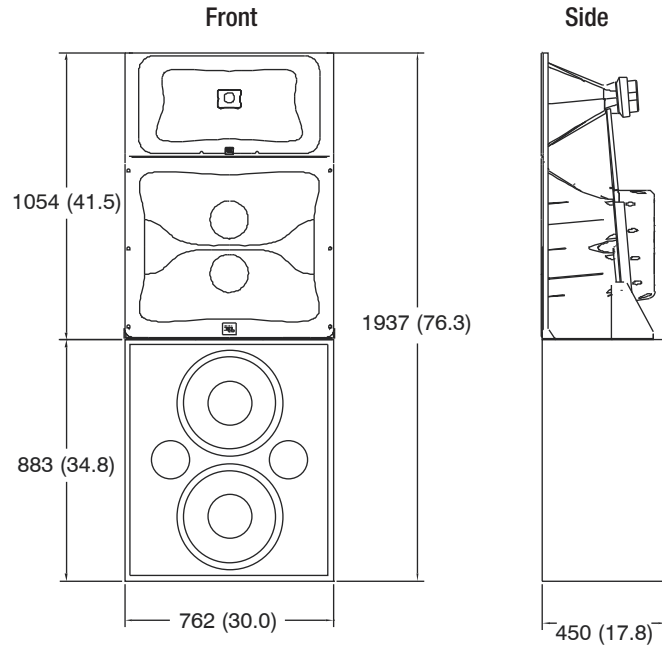
# 3832

Three-Way Bi-Amplified ScreenArray® Cinema Loudspeaker System



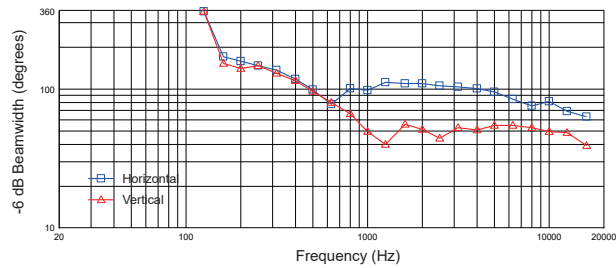
### Dimensions:

Dimensions in mm (in)



### Graphs:

#### Bandwidth vs. Frequency



#### Directivity Index and Directivity Factor

