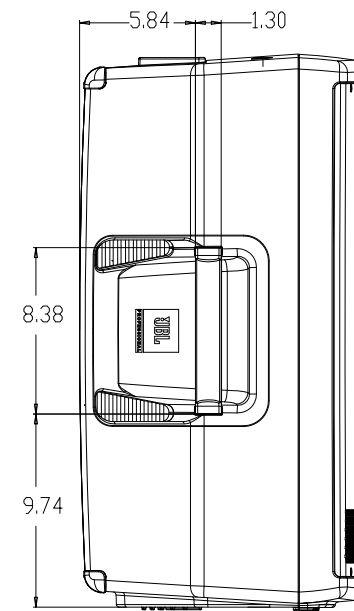
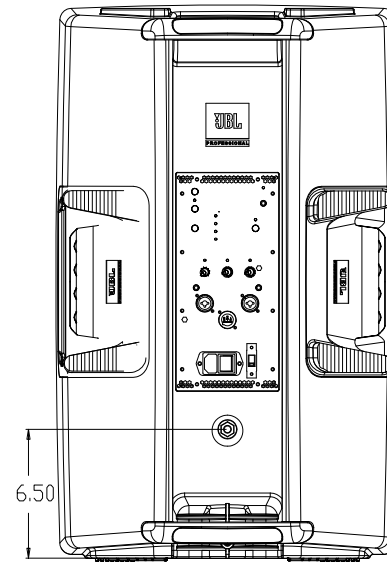
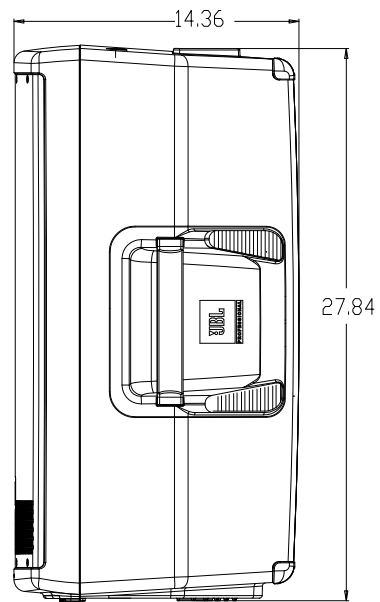
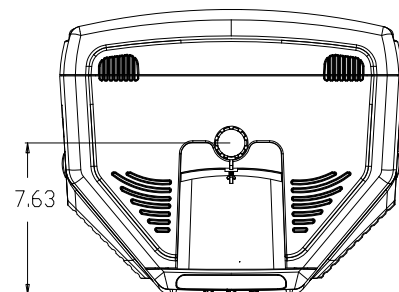
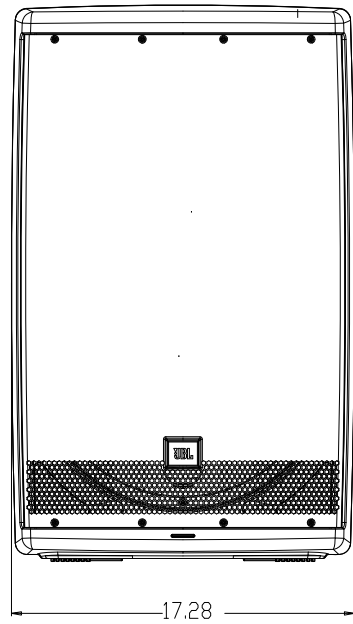
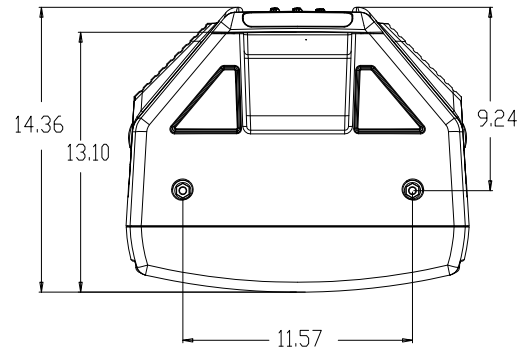


THESE DRAWINGS AND SPECIFICATIONS ARE THE PROPERTY OF JBL, INCORPORATED. THEY ARE ISSUED IN STRICT CONFIDENCE AND SHALL NOT BE REPRODUCED OR USED AS THE BASIS FOR MANUFACTURE OR APPARATUS WITHOUT WRITTEN PERMISSION.

REVISIONS			
LTR	DESCRIPTION	DRFT	DATE
A	RELEASE TO MARKETING	VK	6/2/2014



NOTES:

- ENCLOSURE MATERIAL: BLACK POLYPROPYLENE COPOLYMER
- GRILL MATERIAL: BLACK POWDERCOATED PERFORATED STEEL BACKED WITH BLACK CLOTH
- WEIGHT: 37.2KG (17LB)

TOLERANCES
(UNLESS OTHERWISE SPECIFIED)
 X.XX ± .063 INCH
 X.X ± .125 INCH
 ANGULAR TOLERANCE OF 0°±30'
 FRACTIONAL DIMENSIONS ± 1/32
 * DIMENSIONS ARE INCHES
 * ALL DIMENSIONS ARE FINISHED DIMENSIONS
 * DO NOT SCALE DRAWING

		JBL PROFESSIONAL A Harman International Company Northridge, California 91329 U.S.A.	
TITLE CUSTOMER DRAWING, EON615			
SIZE A	DRAWING NO. 1000141195	REV A	
SCALE NTS	SHEET 1	OF 1	