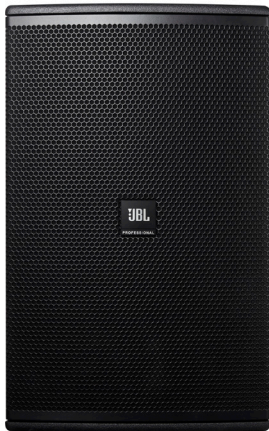


# CV5012 64

## 12" Two-way Full-Range Loudspeaker System



The CV5012 64 is full range point source main speaker that can be mounted horizontally and vertically. It is suitable for fixed point field installation. Cabinet finish is coated with JBL DuraFlex™. The CV5012 64 is equipped with a 3-inch compression tweeter and a 12-inch high-power and large-dynamic woofer, providing stable high sound pressure output. The surface of the paper cone is evenly coated with waterproof glue, so that the speaker has invincible waterproof performance.

This speaker cabinet features 15 mm birch plywood to ensure solid sound. The top of the box is equipped with M10 hoisting points for mounted installation. Low frequency response can be extended by using CV5018S or CV5028S subwoofers. These speakers are ideal for indoor and outdoor medium-sized events or as a supplemental system for large-scale events or as a distributed sound reinforcement system.

### KEY INFORMATION ■

#### Rigging System

M10 hoisting points are integrated at the top of the CV5012 64, to support horizontal and vertical installations. Hoisting points on the back can fix or adjust a projection distance for the speaker. The CV5012 64 simplifies the rigging system and can be installed simply and reliably during use.

#### Waterproof

Waterproof connectors eliminating concerns about electronic component damage, due to moisture and rain.

#### System Solution

The CV5012 64 combines a high-quality acoustic system solution for indoor and outdoor environments, such as stadiums, multi-purpose halls, small and medium-sized theaters, theme parks, and other similar applications. Angle projection control can be achieved through the unique and simple hoisting solution and smooth cabinet curve.

#### Performance

The CV5012 64 is equipped with a 3-inch tweeter and a 12-inch woofer. This is a speaker with high power, dynamic range and sound pressure level. A rotatable horn can be rotated to 2 different angles (90° x 60° and 60° x 90°). Patented SonicGuard™ technology protects high frequency drivers from work interruption due to power overload. The CV5012 64 boasts powerful, high fidelity, fast transient response sound.

### HIGHLIGHTS ■

#### High performance

The CV5012 64 is designed with an IP55 waterproof rating to be consistently durable and reliable. The speaker cabinet features 15 mm birch plywood to ensure optimal sound output. It features a JBL 3-inch high frequency compression driver, featuring high fidelity and even sound coverage. It includes a 12-inch low frequency driver, combining high power, high dynamic, wide frequency response, high energy, and good technologies. JBL Black DuraFlex™ finish is included for a sleek appearance that cannot be scraped easily.

#### JBL Transducers

SonicGuard™ sound protection technology protects the high frequency drivers from power overload.

#### Flexible installation

The CV5012 64 is designed with a rotatable horn at an angle of 60° x 40° and multiple selectable coverage angles. Also included is a rotatable JBL logo, allowing the speaker to be installed vertically and horizontally, keeping the logo at a correct position. The back tilt design of the connection panel allows speaker against wall installation, and also prevents water from accumulating in the panel.

#### Imported brand

The CV5012 64 inherits the strict and demanding production standards of JBL.

### TECHNICAL SPECIFICATIONS ■

System type	12" Two-way Full-Range Loudspeaker System
Frequency Range (-10 dB) <sup>1</sup> :	46 Hz - 20k Hz
Frequency Range (±3 dB) <sup>1</sup> :	80 Hz - 20k Hz
Coverage Angle:	60° x 40°
Rated Input Power <sup>3</sup> :	600W/1200W/2400W (Continuous/Music/Peak)
Rated Impedance:	8 ohms
Sensitivity (1w@1m) <sup>1</sup> :	98 dB
Maximum SPL <sup>2</sup> :	126 dB continuous average (138 dB peak)
Transducers	
Low Frequency Driver:	1x12" (304.8 mm) woofer with 3" (76.2 mm) voice coil
High Frequency Driver:	JBL 2432H, 38 mm (1.5 inch) exit compression driver, with a 75 mm (3 inch) voice coil
Appearance	
Box Structure:	15 mm birch plywood, fitted with a handle, and Black DuraFlex™ finish for the appearance color
IP Rating <sup>4</sup> :	IP55 (IEC 60529)
Rigging:	Top: 4 x M10 screws, Bottom: 4 x M10 screws, Back: 1 x M10 screws, Side: 4 x M10 screws
Grille:	1.5 mm perforated iron mesh, attached with a waterproof grill inside
Input Connector:	2 x NL4 Neutrik Speakon® in parallel for loop-thru (Selectable Bi-amp and Passive modes)
Pin Assignments:	Bi-amp low frequency: 1+, 1-, high frequency: 2+ 2-, Passive full range: 1+, 1-
Dimension (H x W x D):	630 mm x 394 mm x 429 mm
Net Weight:	25 kg

#### Footnotes:

1: Measured in a full space (4π) condition.

2: Peak, unweighted SPL, measured under full-space conditions at 1 meter using broadband pink noise with a 12dB crest factor.

3: According to IEC standard, tested for 2 hours under pink noises with a crest factor of 6 dB.

4: The front is tilted down by 0 degree or more, to allow the cabinet to drain water. Suspension components are fully weatherproof, for use in indoor or outdoor conditions where humidity is nominally under 50%, and not local to bodies of corrosive materials. Unused speakON connectors must be sealed using silicone to protect against water and moisture. Please do not place the front of the speaker directly toward the direction of rain.

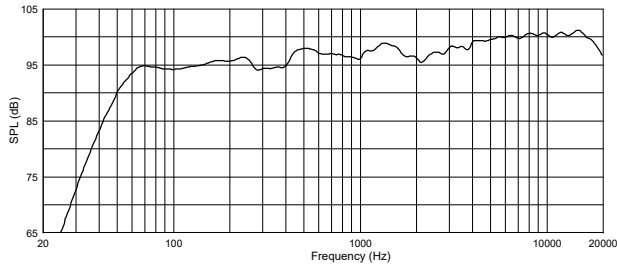
JBL continually engages in research related to product improvement. Some materials, production methods, and design refinements are introduced into existing products without notice as a routine expression of that philosophy. For this reason, any current JBL product may differ in some respect from its published description but will always equal or exceed the original design specifications unless otherwise stated.

# CV5012 64

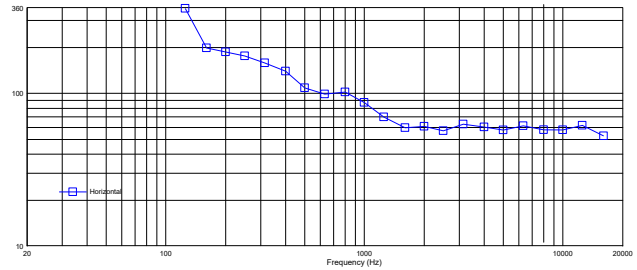
## 12" Two-way Full-Range Loudspeaker System



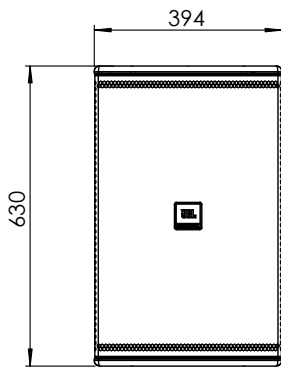
### CV5012 64 frequency response ■



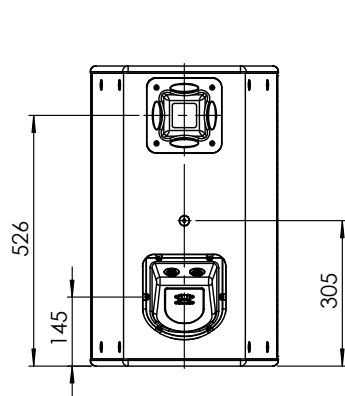
### CV5012 64 horizontal polar map ■



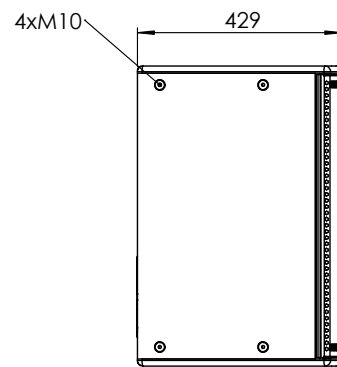
### Engineering drawings ■



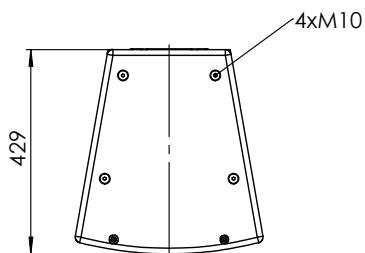
Front



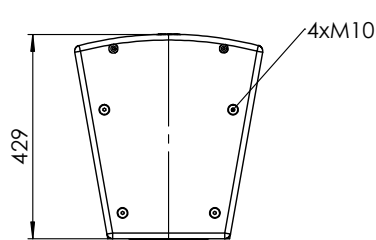
Back



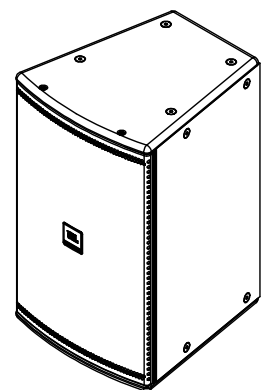
Side



Top



Bottom



Harman Professional, Inc. 8500 Balboa Blvd. Northridge, CA 91329 USA

© 2022 HARMAN International Industries, Inc. All rights reserved.  
Features, specifications and appearance are subject to change without notice.

www.jblpro.com

Release time: 05 / 2023