

# Control<sup>®</sup> 68HP

## High Power Full-Range Pendant Loudspeaker



### HIGHLIGHTS

**Coaxial design featuring:** 209 mm (8 in) Kevlar™ reinforced woofer with 50 mm (2 in) voice coil, 25 mm (1.0 in) titanium-dome compression driver

**High power capability** of 250 Watts (1000W peak) and high SPL of 114 dB (120 dB peak)

**Hanging hardware** with 4.5 m (15 foot) galvanized steel cable and easy to adjust clamp

**Stylish design** available in black or white (-WH)

**UL listed** speaker and hanging cable system

**8 ohm and 70V/100V operation**

**Extremely consistent 110° conical coverage**

### APPLICATIONS

The Control 68HP is a very high output, full-range, two-way pendant-type loudspeaker that provides superb sound reproduction and very consistent, wide coverage for rooms with open architecture ceilings, rooms with lively acoustics (ie, lowering the height of the speakers to increase the direct-to-reverberant sound ratio), and other locations where a pendant form factor is desired. The wide 110° coverage pattern allows for the use of fewer speakers, reducing the cost of the installed system without sacrificing performance.

High output, excellent sound quality coupled with stylish design and easy installation makes the Control 68HP ideal for a wide variety of applications including retail, restaurants, hotels, casinos, fitness centers, convention centers, exhibit spaces, conference rooms, atriums, museums, transit centers and other applications with open-ceilings, lively acoustics, or where the pendant form factor is desired for aesthetic reasons.

Control 68HP provides extremely consistent 110° constant directivity conical coverage. The coaxial driver's pole piece is internally milled to form a low-distortion throat while the cone forms the bell of a conically-contoured constant directivity horn, resulting in extremely consistent sound character throughout the entire listening area.

The Control 68HP includes a single-point mounting system for easy and secure suspension in open-ceiling applications. Two complete hanging cable systems are included, providing both main and safety suspension cables. Included are extra-long 4.5 m (15 foot) high tensile galvanized steel wire rope having spring clips for the loudspeaker end of the cable and UL listed cable fasteners for infinitely adjustable suspension height.

The system's 209 mm (8 in) low-frequency driver features a Kevlar™ reinforced cone and a large 50 mm (2 in) CCAW voice coil on a fiberglass voice coil former for high power and improved long-term reliability. The coaxially-mounted 25 mm (1 in) compression driver features a titanium dome with damped resonance and a Kapton™ voice coil former for enhanced long-term sound level capability combined with high-fidelity sound quality.

The Control 68HP contains a high-quality 68 Watt multi-tap transformer for use on 70V/100V distributed loudspeaker lines, and is switchable for 8-ohm voice-coil direct operation.

Euro-style clip-in connectors allow for each wiring. For protected/covered outdoor applications, rubber boots are included to cover the input connectors, and an optional terminal cover (MTC-60PC) is available for direct-exposure locations.

[www.jblpro.com](http://www.jblpro.com)

### SPECIFICATIONS

SYSTEM	
<b>FREQUENCY RANGE (-10 DB)<sup>1</sup>:</b>	52 Hz - 17 kHz
<b>FREQUENCY RESPONSE (±3 DB)<sup>1</sup>:</b>	72 HZ - 16 KHZ
<b>Power Capacity<sup>2</sup>:</b>	150 Watts Continuous Pink Noise Power (600 Watts peak, 100 hrs) 250 Watts Continuous Pink Noise Power (1000 Watts peak, 2 hrs) 500 Watts Continuous Program Power (2 hr)
<b>Nominal Sensitivity:</b>	90 dB
<b>Nominal Coverage Angle<sup>3</sup>:</b>	110° conical
<b>Directivity (Q)<sup>3</sup>:</b>	7.8
<b>Directivity Index (DI)<sup>3</sup>:</b>	8.9 dB
<b>Maximum Input Voltage:</b>	41.4 V RMS (2 hrs), 82.8 V peak
<b>Rated Maximum SPL @ 1m:</b>	114 dB continuous pink noise, 120 dB peak
<b>Rated Impedance:</b>	8 ohms
<b>Transformer Taps:</b>	70V: 68W, 34W, 17W, & 8.5W 100V: 68W, 34W, 17W
<b>Transformer Insertion Loss:</b>	0.5 dB @ 8.5W, 0.5 dB @ 17W, 0.6 dB @ 34W, 0.7 dB @ 68W
<b>Recommended Protective High-Pass<sup>4</sup></b>	60 Hz high-pass (24 dB/oct) for 8 ohm operation and for all 70V/100V tap settings
TRANSDUCER	
<b>LF Driver:</b>	209 mm (8 in) Kevlar(tm) reinforced cone, 50 mm (2 in) CCAW voice coil on fiberglass voice coil former
<b>HF Driver:</b>	25 mm (1.0 in) compression driver, titanium dome, ferrite magnet assembly, Kapton(tm) voice coil former
ENCLOSURE	
<b>Enclosure Material:</b>	High impact polystyrene
<b>Grille:</b>	Zinc-plated steel grille with powder-coat finish, foam backing (removable for painting)
<b>Environmental:</b>	Exceeds Mil Spec 810 for humidity, salt spray, temperature & UV. IP44 capability per IEC 529 – splashproof rating.
<b>Termination:</b>	Two removable locking euro-block 2-pin connectors with screwdown terminals for bare wire. Connectors paralleled for input and loop-thru. Max. wire 12 AWG (2.5 mm <sup>2</sup> ). Rubber terminal covers included.
<b>Suspension:</b>	Two identical suspension systems (one as main suspension cable and the other as safety cable), each consisting of 4.5 m (15 ft) long 2 mm (0.077 in) high-tensile galvanized-steel wire rope suspension cable with spring-clips for clipping onto the loudspeaker bracket and Gripplle™ brand adjustable-height cable fasteners for infinitely adjustable height. Cables have SWL rating of 45 kg (99 lb).
<b>Product Compliance:</b>	Speaker listed per UL1480A Commercial and Professional Use, (UEAY/7), CSA C22.2 No. 205. Transformer registered per UL 1146. Compliant with IEC62368-1, CE, LVD, RoHS. In accordance with IEC60849/EN60849. Suspension system and Gripplle® brand cable fastener listed per UL1598 and UL2239, TUV, and CSA Class 3426-01 & Class 3426-81.
<b>Dimensions:</b>	333 mm (13.1 in) diameter x 344 mm (13.6 in) height to top of cabinet. 369 mm (14.5 in) to top of suspension bracket
<b>Net Weight: (ea):</b>	7.5 kg (16.5 lbs)
<b>Set Weight (Pair):</b>	17.2 kg (38.0 lbs)
<b>Included Accessories:</b>	Two suspension cable systems (see "Suspension", above), two 2-pin removable locking euro-block connectors, two rubber covers for euro-block connectors.
<b>Optional Accessories:</b>	MTC-PC60 top panel / terminal cover
<b>Colors:</b>	Available in black or white (-WH). Paintable.
<b>SKU Numbers:</b>	JBL-C68HP (Black), JBL-C68HP-WH (White)

1 Full-space (suspended)

2 Continuous Pink Noise rating is IEC-shaped pink noise with a 6 dB peak-to-average crest factor for 100 hours continuously. Continuous Program power is a conservative expression of the system's ability to handle normal speech and music program material and is defined as 3 dB above the Continuous Pink Noise rating.

3 Full-space (suspend in free air), average 1 kHz to 10 kHz.

4 For protection against driving below resonant frequency and to keep transformer out of saturation

JBL continually engages in research related to product improvement. Changes introduced into existing products without notice are an expression of that philosophy.

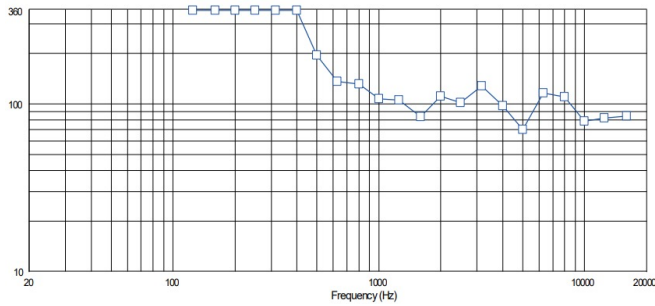
# Control® 68HP

High Power Full-Range Pendant Loudspeaker

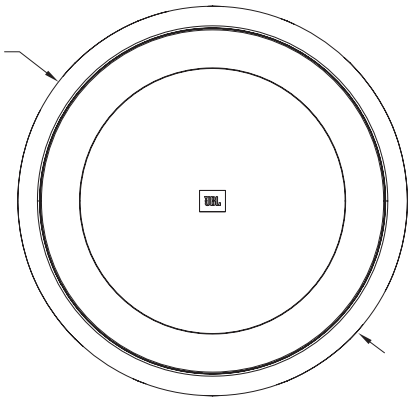


## BEAMWIDTH:

-6 dB coverage by frequency

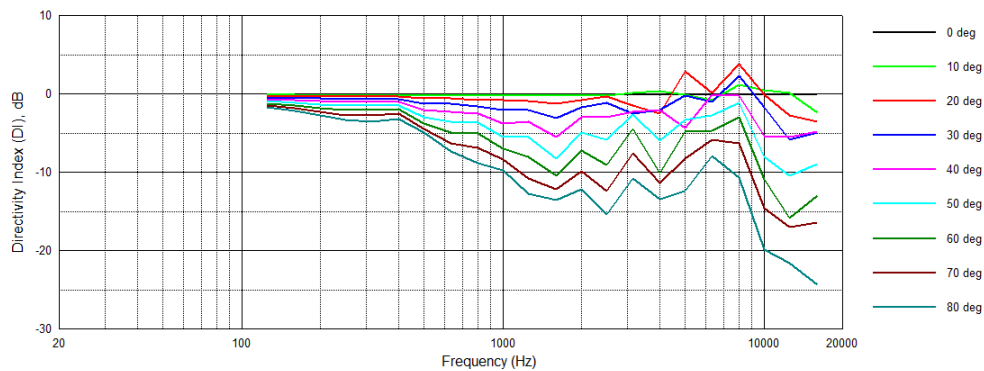
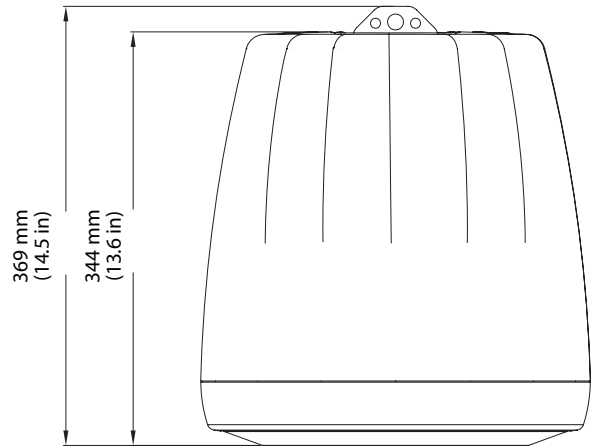
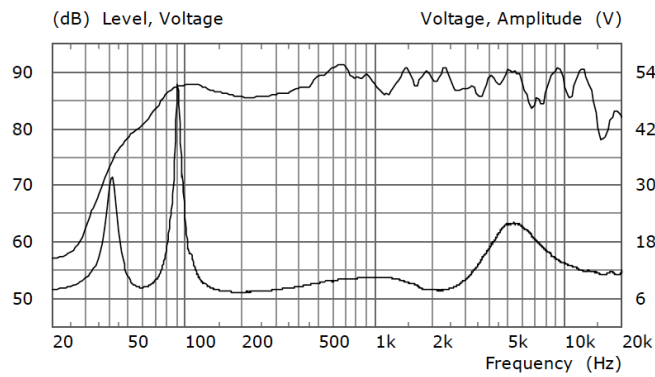


333 mm  
(13.1 in)



## FREQUENCY RESPONSE:

Full-space, 8 ohm, 10° off-axis  
(typical for coverage area)



HARMAN Professional 8500 Balboa Blvd. Northridge, CA 91329 USA

© 2024 HARMAN International Industries, Incorporated. All rights reserved.  
Features, specifications and appearance are subject to change without notice.

[www.jblpro.com](http://www.jblpro.com)

SS:C68HP  
Issued: 8/16/2024