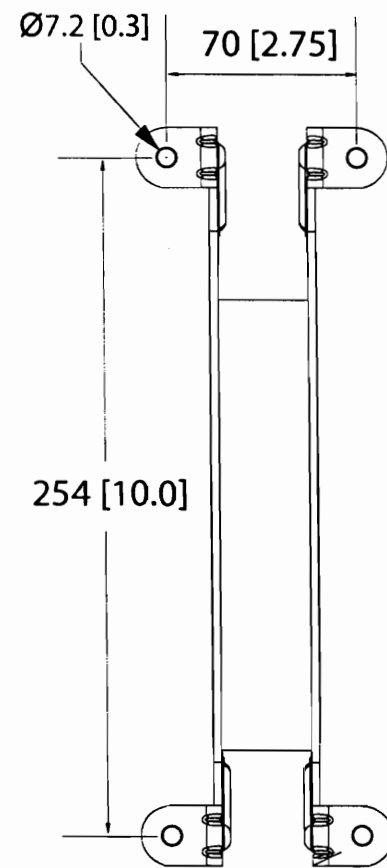


THESE DRAWINGS AND SPECIFICATIONS ARE THE PROPERTY OF JBL INCORPORATED. THEY ARE ISSUED IN STRICT CONFIDENCE AND SHALL NOT BE REPRODUCED OR USED AS THE BASIS FOR MANUFACTURE OR APPARATUS WITHOUT WRITTEN PERMISSION.

ALL MATERIAL SPECIFIED ON THIS DRAWING SHALL COMPLY WITH EUROPEAN DIRECTIVE 2002/95/EC

REVISIONS				
REV	DESCRIPTION	DEPT	D.C.	DATE
009791 A	RELEASE TO MARKETING	FL		11-22-01 RCX

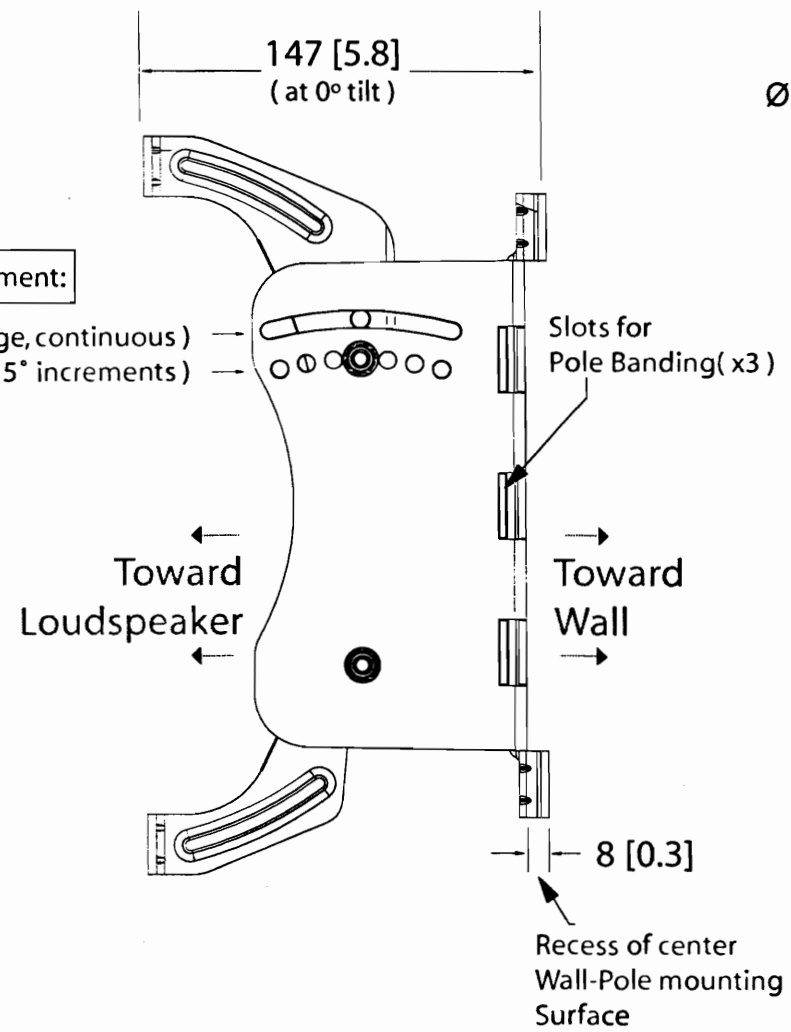
# JBL CBT 70J Included Wall Bracket Dimensional & Mounting-Point Drawing



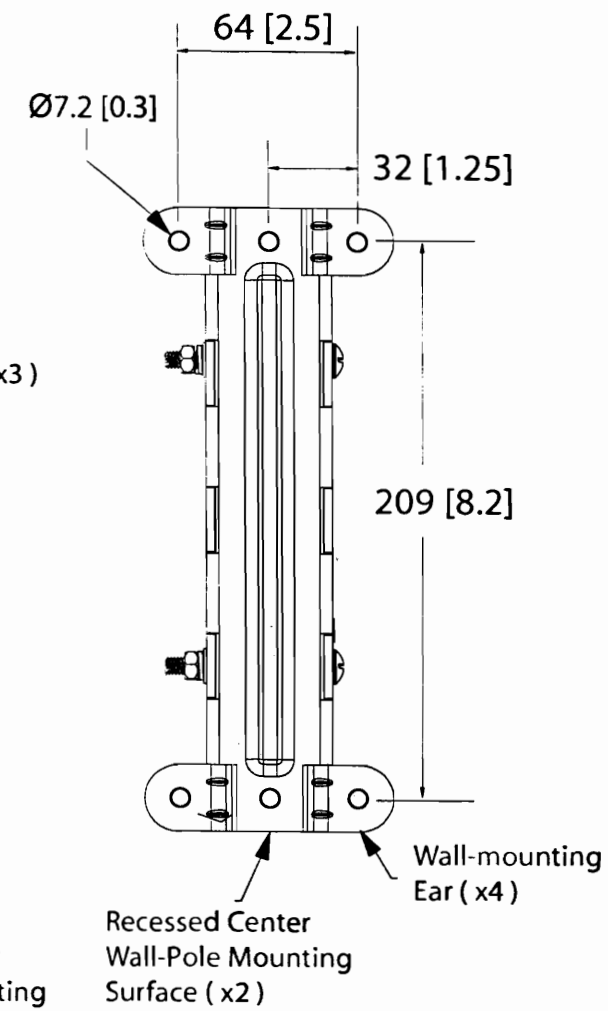
Loudspeaker-Mount Section

Tilt Angle Adjustment:

- Slot (±15° range, continuous)
- Pre-Set Angles (5° increments)



Assembled Bracket



Wall-Mount Section

**TOLERANCES**  
(UNLESS OTHERWISE SPECIFIED)

- XXX ± 0.03 INCH
- XX ± 0.125 INCH
- FRACTIONAL DIMENSIONS ± 1/32
- DIMENSIONS ARE INCHES
- ALL DIMENSIONS ARE FINISHED DIMENSIONS
- DO NOT SCALE DRAWING

**JBL** JBL PROFESSIONAL  
A Harman International Company  
Northridge, California 91329 U.S.A.

TITLE: CUSTOMER DRAWING: WALL BRACKET, CBT 70J & 70JE

SIZE: A DRAWING NO: 444539 REV: A

SCALE: NTS SHEET 1 OF 1

NOTES: (UNLESS OTHERWISE SPECIFIED)