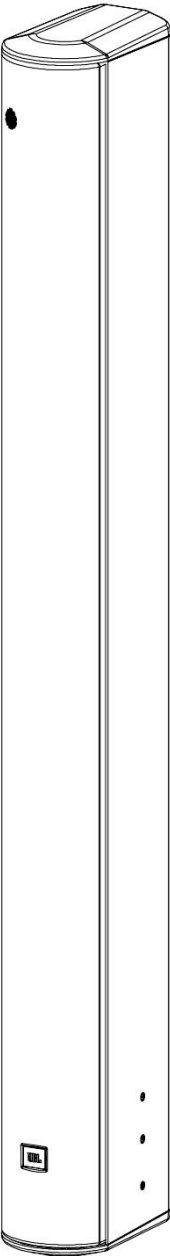




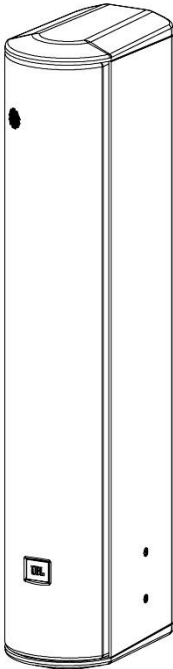
CBT SERIES

Constant Beamwidth Technology™

CBT 100LA and CBT 50LA Bracket Installation Guide



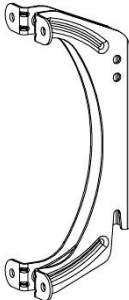
CBT 100LA



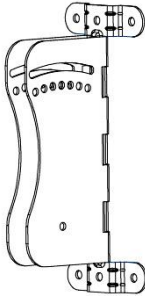
CBT 50LA

Hardware Included

speaker bracket



wall bracket



M6-34L



M6-16L



SS Flat washers



M6 nuts



SS Lock washers



switch cover



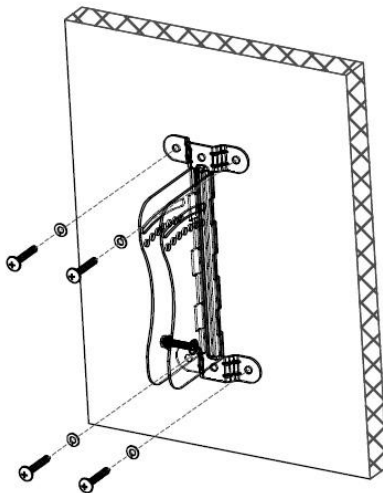
WALL SURFACE MOUNTING

Note that the BRACKET ASSEMBLY consists of a *SPEAKER BRACKET* and a *WALL BRACKET*.

- 1) **RUN WIRING** -- Run the wiring from the power amplifier to the location desired for mounting the JBL CBT Loudspeakers.
- 2) **ATTACH WALL BRACKET TO WALL** -- Using a level to ensure that the *WALL BRACKET* is straight, secure the *WALL BRACKET* to the wall. Be sure to use the appropriate wall anchors for attaching the bracket. Use all four screw holes for maximum integrity and safety. Be sure that the slot feature is at the top.

CAUTION: Installation must be done by qualified persons using safe rigging standards.

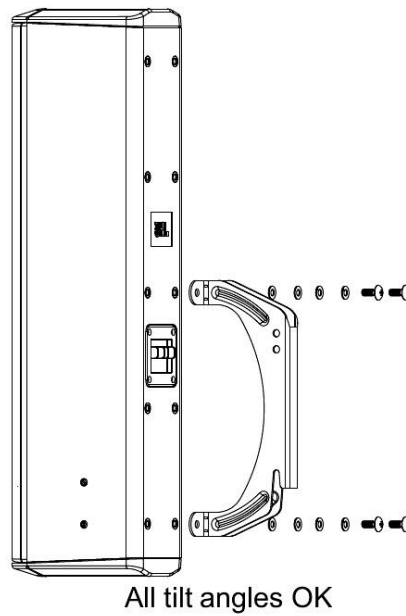
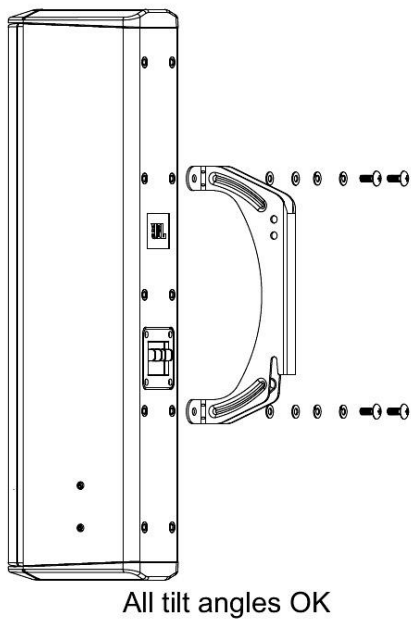
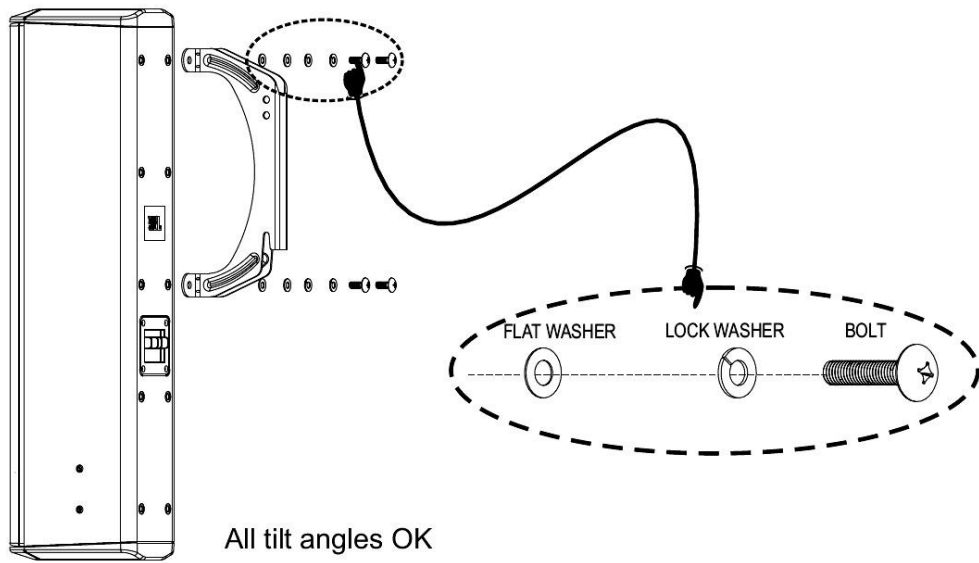
The installer is responsible for proper selection and use of mounting hardware, to properly and safely wall-mount the speakers.



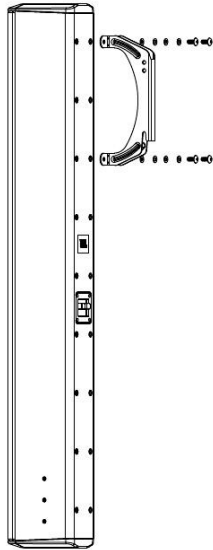
Hardware for attaching WALL BRACKET to wall is not included.

3) ATTACH SPEAKER BRACKET TO SPEAKER

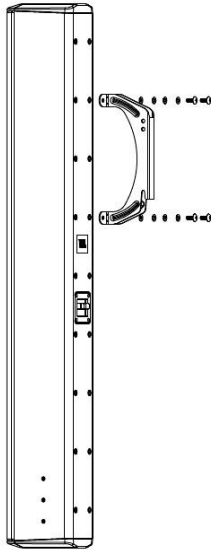
3a) CBT 50LA -- Mount the *SPEAKER BRACKET* to the speaker with the provided M6 hardware. For the CBT 50LA there are three (3) mounting position. Choose the one that best suits the application. Be sure the hook feature is downward.



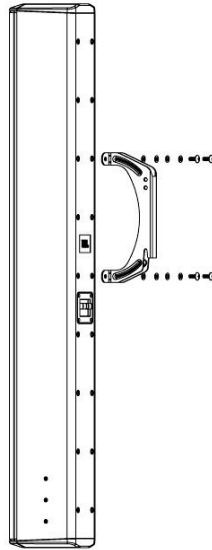
3b) CBT 100LA -- Mount the *SPEAKER BRACKET* to the speaker with the provided M6 hardware. For the CBT 100LA there are seven (7) mounting position. Choose the one that best suits the application. Be sure the hook feature is downward.



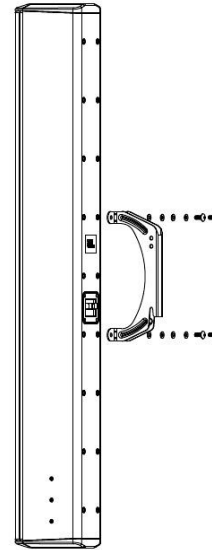
All tilt angles OK except 10° and 15° down which will encroach wall



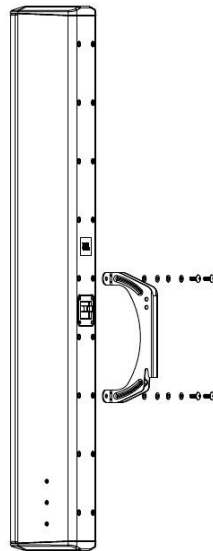
All tilt angles OK except 15° down which will encroach wall



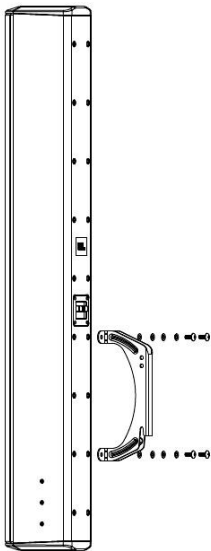
All tilt angles OK



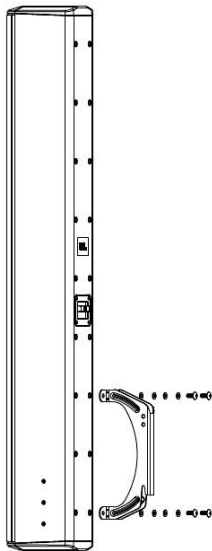
All tilt angles OK



All tilt angles OK

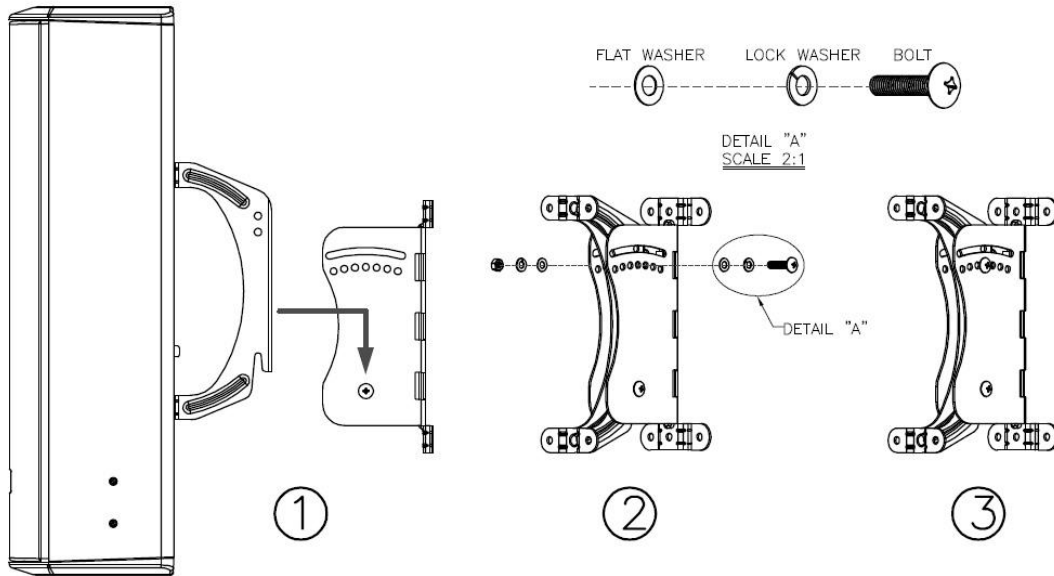


All tilt angles OK except 15° up which will encroach wall



All tilt angles OK except 10° and 15° up which will encroach wall

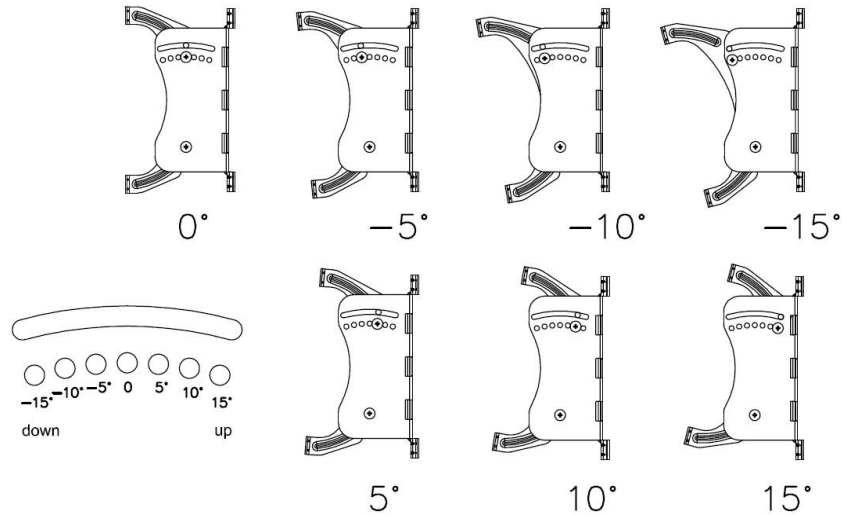
- 4) **SLIDE SPEAKER WITH SPEAKER BRACKET ONTO WALL BRACKET** -- Once the wall mount and speaker mount have been attached, slide the speaker forward into the **WALL BRACKET**, dropping the hook slot in the speaker bracket onto the pivot bolt (which will already be installed loosely in the **WALL BRACKET**).



- 5) **SET THE TILT ANGLE** – Once the speaker has nested securely on the pivot bolt, slide the second M6 34mm bolt into one of the holes in top of the wall bracket to set the angle.

5a) **TILT ANGLES** -- The bracket allows for +/-15 degrees of tilt. Some of the extreme tilt angles are not recommended as the speaker will run into the wall first.

5b) PRE- SET ANGLES and CONTINUOUSLY VARIABLE ANGLE -- The bracket has through holes for mounting angles of +/- 15 degrees in 5 degree increments. There is also a slot above the holes for continuously variable adjustment. The pre-set angles are recommended for accurate aiming.



5C) SECURE THE ANGLE SETTING -- Once the angle has been chosen tighten both bolts with hardware provided.

6) Attach a safety cable (not included) to any of the 6 mm inserts on the back of the CBT 100LA/50LA cabinet using the included M6 mm bolt. Prepare to attach the other end of the cable to a secondary attachment point on the wall.



JBL Professional
8500 Balboa Boulevard, P.O. Box 2200
Northridge, CA 91329 USA

H A Harman International Company