

4

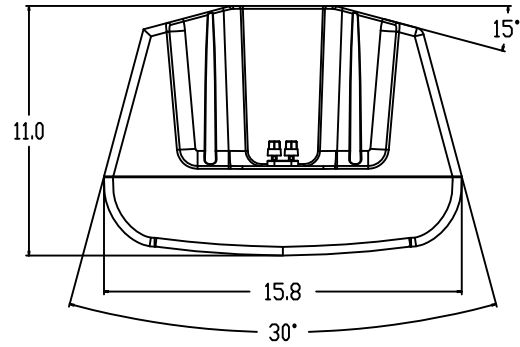
3

2

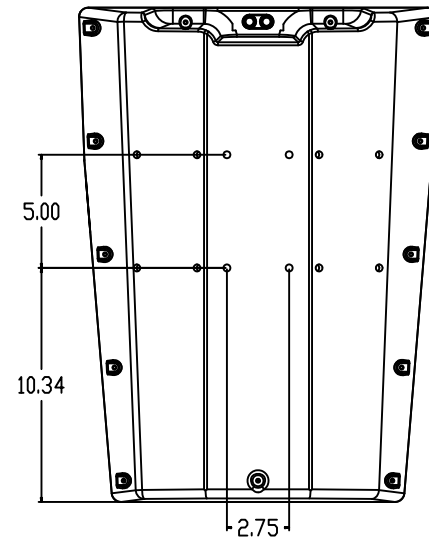
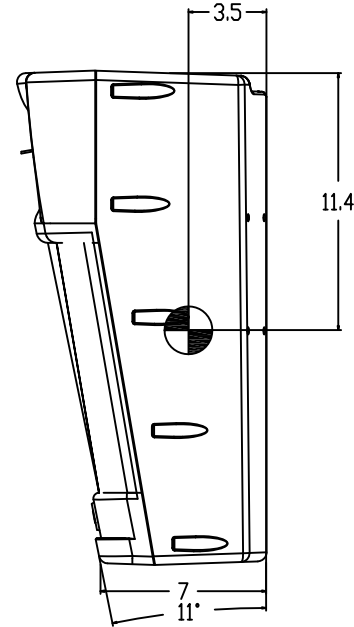
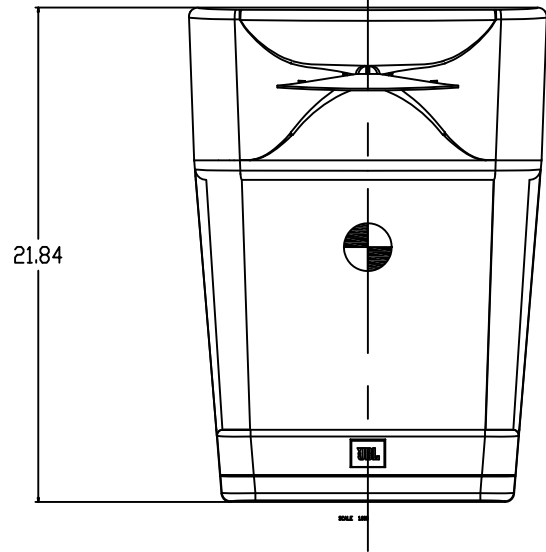
1

THESE DRAWINGS AND SPECIFICATIONS ARE THE PROPERTY OF JBL INCORPORATED. THEY ARE ISSUED IN STRICT CONFIDENCE AND SHALL NOT BE REPRODUCED OR USED AS THE BASIS FOR MANUFACTURE OR APPARATUS WITHOUT WRITTEN PERMISSION.

REVISIONS			
LTR	DESCRIPTION	DRFT	DATE
A	RELEASE TO MARKETING	VK	9/28/2015



CG



⑦ INDICATED DIMENSIONS ARE TO CENTER OF GRAVITY (CG)

- 6. WEIGHT: 11.3 Kg(25 LBS).
- 5. SUSPENSION POINTS: 12X BACK
- 4. COMPONENTS: 1X M110-8, 1X 2414H-1
- 3. INPUT CONNECTORS: TERMINAL CUP
- 2. MATERIALS: ABS PLASTIC
- 1. FINISH: BLACK

TOLERANCES
 (UNLESS OTHERWISE SPECIFIED)
 X.XX ± .063 INCH
 X.X ± .125 INCH
 ANGULAR TOLERANCE OF 0°±30'
 FRACTIONAL DIMENSIONS ± 1/32
 * DIMENSIONS ARE MM (INCHES)
 * ALL DIMENSIONS ARE FINISHED DIMENSIONS
 * DO NOT SCALE DRAWING

JBL PROFESSIONAL A Harman International Company Northridge, California 91329 U.S.A.		
TITLE CUSTOMER DRAWING, 9310		
SIZE A	DRAWING NO. 1000225007	REV A
SCALE NTS	SHEET 1 OF 1	

4

3

2

1

D

D

C

C

B

B

A

A