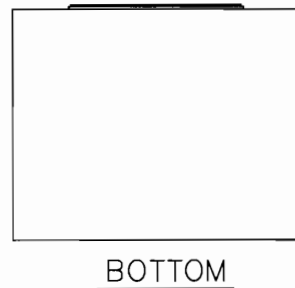
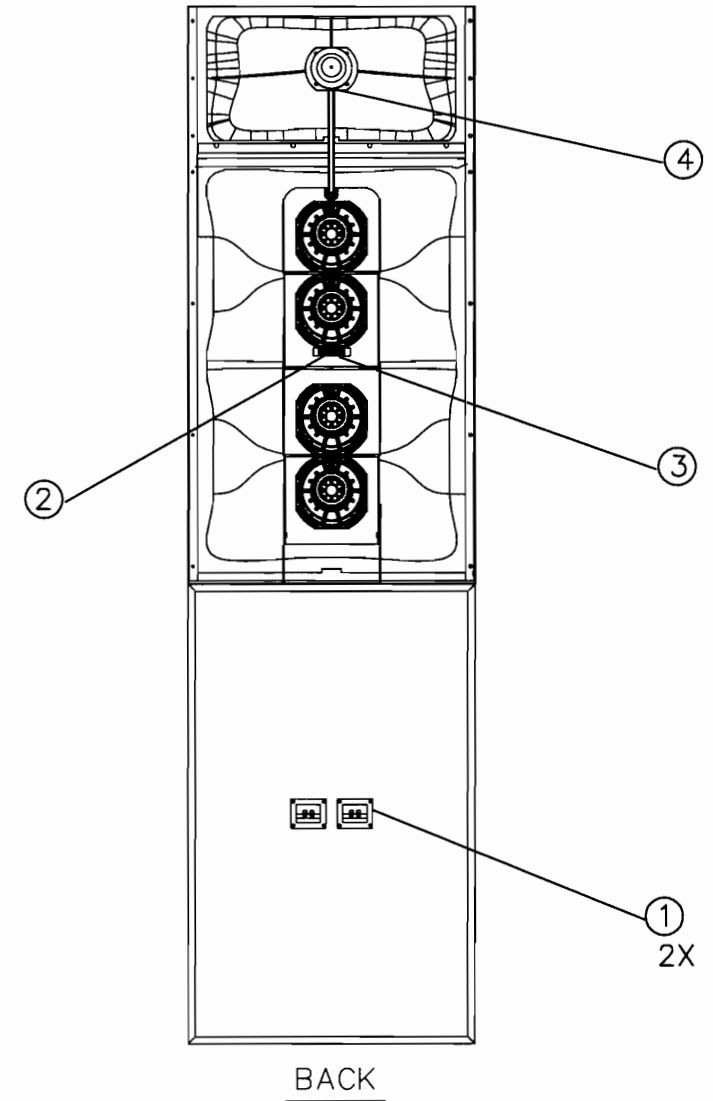
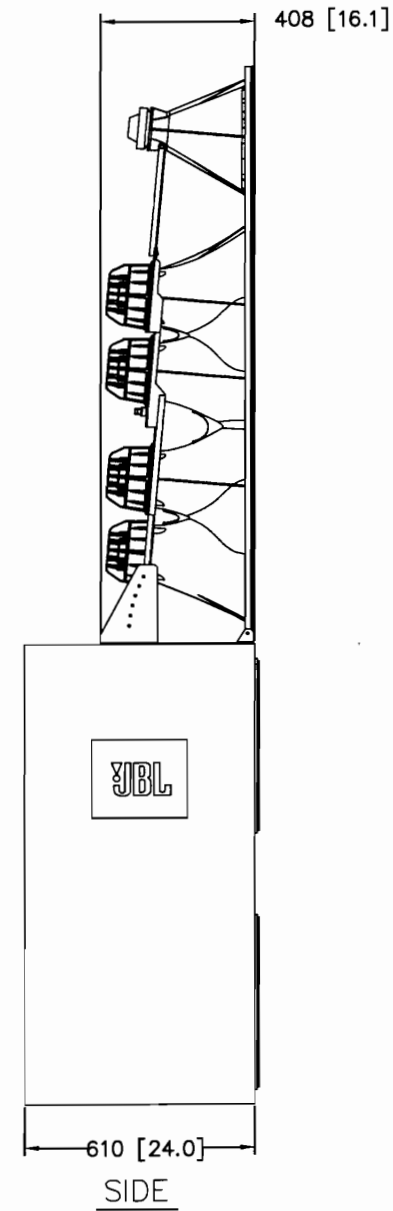
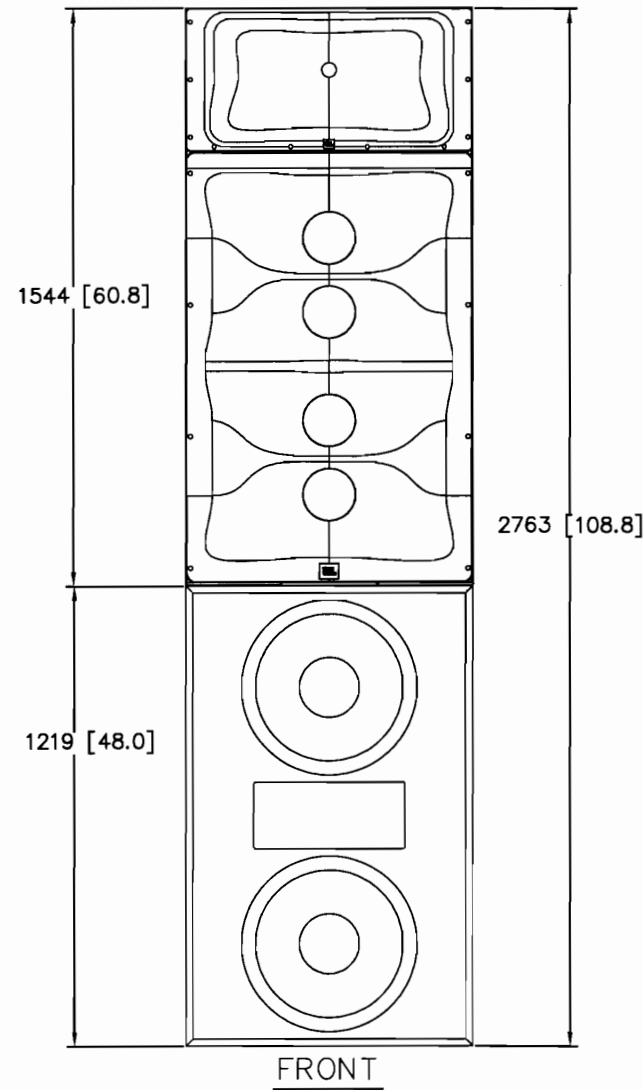
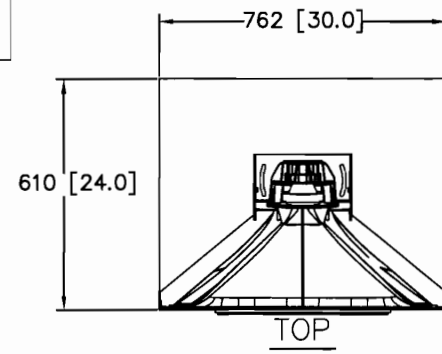


THESE DRAWINGS AND SPECIFICATIONS ARE THE PROPERTY OF JBL INCORPORATED THEY ARE ISSUED IN STRICT CONFIDENCE AND SHALL NOT BE REPRODUCED, COPIED, OR USED AS THE BASIS FOR MANUFACTURING OR SALE OF APPARATUS WITHOUT WRITTEN PERMISSION.

ALL MATERIAL SPECIFIED ON THIS DRAWING SHALL COMPLY WITH EUROPEAN DIRECTIVE 2002/95/EC **RoHS**

REVISIONS						
CHG	LTR	DESCRIPTION	DRFT	CHK	DATE	APPR
39170	A	RELEASE TO MARKETING	TH	--	12/11/09	BW
39475	B	REVISED DIMENSIONS	TH			BW

3/17/2010



1. COMPONENTS: LF: 5749 2X 2242HPL (LF)  
MF/HF: 5742-M/HF  
2X 2169H (LOWER MF)  
2X 2169H (UPPER MF)  
1X 2452H-SL (HF)  
[4 CHANNEL DSP & AMPLIFICATION IS REQUIRED]

2. INPUT CONNECTORS: LF- PUSH TERMINAL BINDING POSTS ①  
LOWER MF - SCREW TERMINAL BARRIER STRIP ②  
UPPER MF - SCREW TERMINAL BARRIER STRIP ③  
HF - PUSH TERMINALS ④

3. MATERIALS: LF - VINYL CLAD PARTICLE BOARD  
BRACKETS - COLD ROLLED STEEL

4. WEIGHT: 128.1Kg (282 LBS)

NOTES: (UNLESS OTHERWISE SPECIFIED)

TOLERANCES  
(UNLESS OTHERWISE SPECIFIED)  
X.XXX ± 0.031 INCH  
X.XX ± 0.063 INCH  
X.X ± 0.125 INCH  
ANGULAR ± 0.30°

JBL Professional  
A Harman International Company  
Northridge, California 91329, U.S.A.

TITLE  
CUSTOMER DWG, 5742

SIZE D DRAWING NO. 444623 REV B

SCALE: 1:1 SHEET 1 OF 1

\* DIMENSIONS ARE INCHES  
\* ALL DIMENSIONS ARE FINISHED DIMENSIONS  
\* DO NOT SCALE DRAWING

UNCONTROLLED COPY

8 7 6 5 4 3 2 1