

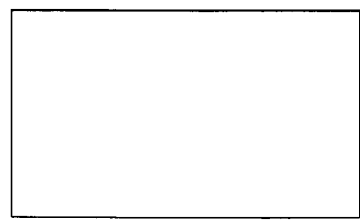
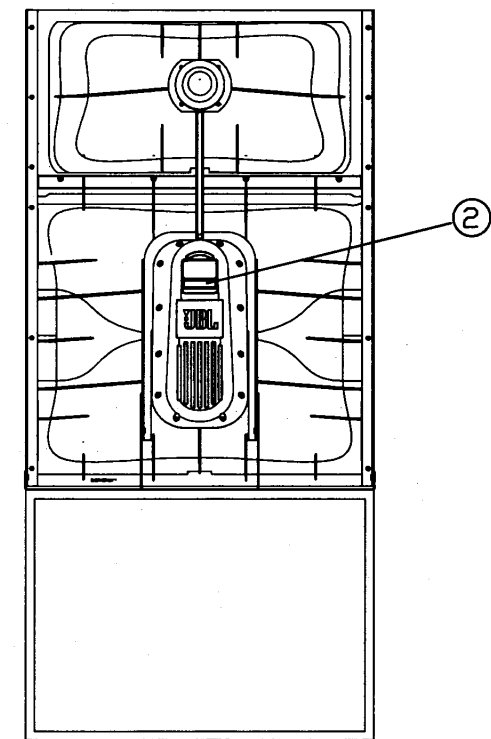
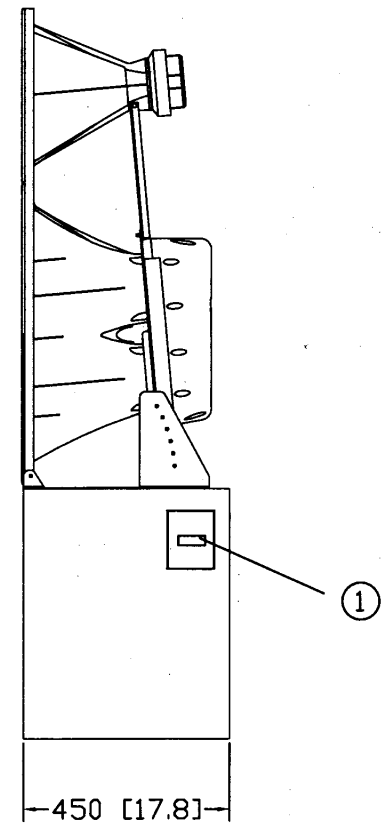
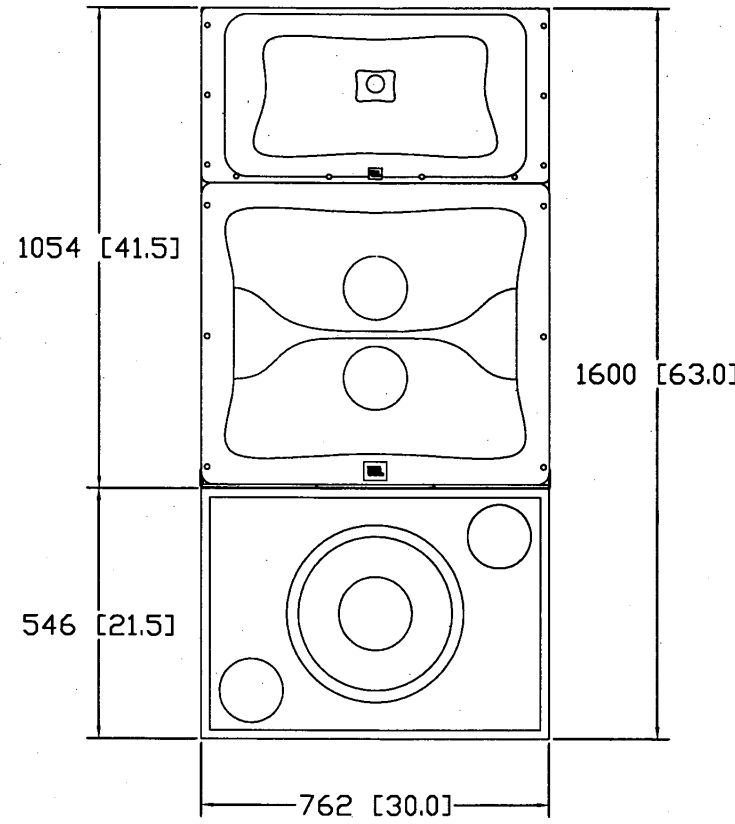
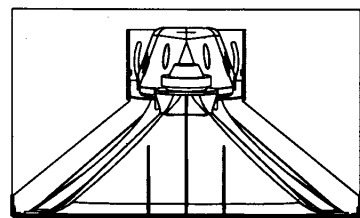
8 | 7 | 6 | 5 | 4 | 3 | 2 | 1

THESE DRAWINGS AND SPECIFICATIONS ARE THE PROPERTY OF JBL INCORPORATED THEY ARE ISSUED IN STRICT CONFIDENCE AND SHALL NOT BE REPRODUCED, COPIED, OR USED AS THE BASIS FOR MANUFACTURING OR SALE OF APPARATUS WITHOUT WRITTEN PERMISSION.

ALL MATERIAL SPECIFIED ON THIS DRAWING SHALL COMPLY WITH EUROPEAN DIRECTIVE 2002/95/EC [RoHS]

REVISIONS						
CHG	LTR	DESCRIPTION	DRFT	CHK	DATE	APPR
38291	A	RELEASE FOR MARKETING	YT			BW

5/27/09



1. COMPONENTS: LF: 5641 - 1X 2226HPL  
M/HF: 3732-M/HF  
2X 165H  
1X 2432H

2. INPUT CONNECTORS: LF- SCREW TERMINAL BARRIER STRIP ①  
M/HF- SCREW TERMINAL BARRIER STRIP ②

3. MATERIALS: LF - VINYL CLAD PARTICLE BOARD  
M/HF - INJECTION MOLDED ABS RESIN.  
BRACKETS - COLD ROLLED STEEL

4. WEIGHT: 51.8 Kg (114 LBS)

<b>TOLERANCES</b> <small>UNLESS OTHERWISE SPECIFIED</small> XXX ± 0.031 INCH XX ± 0.063 INCH X ± 0.125 INCH ANGULAR ± 0.30°		<b>JBL Professional</b> A Harman International Company Northridge, California 91329, USA	
<b>TITLE</b> CUSTOMER DWG, 3731			
<b>SIZE</b> D	<b>DRAWING NO.</b> 440463	<b>REV</b> A	<b>SCALE</b> 1:8
<b>SHEET</b> 1 OF 1		<b>DATE</b> 5/27/09	

UNCONTROLLED COPY