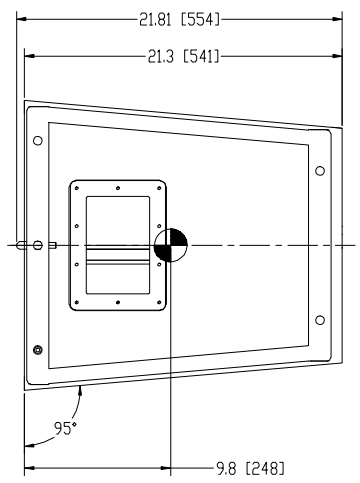
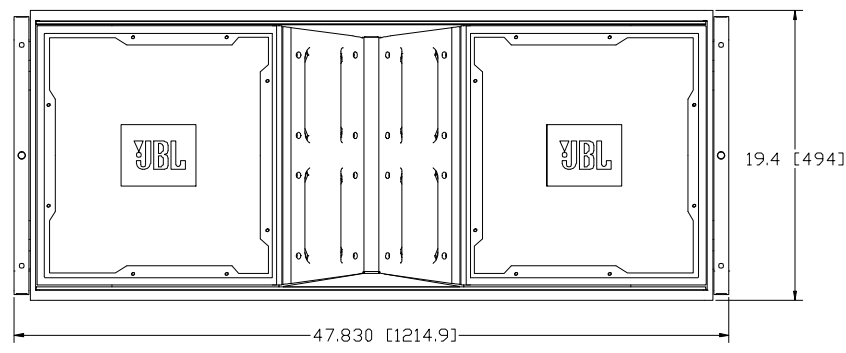
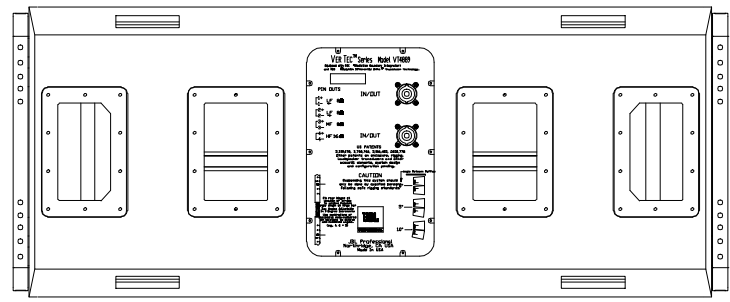
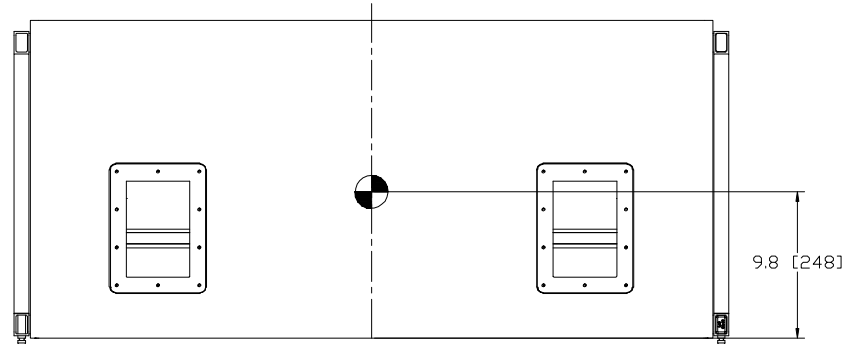


8 | 7 | 6 | 5 | 4 | 3 | 2 | 1

THESE DRAWINGS AND SPECIFICATIONS ARE THE PROPERTY OF JBL INCORPORATED THEY ARE ISSUED IN STRICT CONFIDENCE AND SHALL NOT BE REPRODUCED, COPIED, OR USED AS THE BASIS FOR MANUFACTURING OR SALE OF APPARATUS WITHOUT WRITTEN PERMISSION.

ALL MATERIAL SPECIFIED ON THIS DRAWING SHALL COMPLY WITH EUROPEAN DIRECTIVE 2002/95/EC. **RoHS**

REVISIONS						
CHG	LTR	DESCRIPTION	DRFT	CHK	DATE	APPR
36232	A	RELEASE FOR MARKETING	YT			



1. COMPONENTS: LF - 2X 2255HPL, MF - 4X 2250HPL, HF - 3X 2435HPL
2. INPUT/OUTPUT CONNECTIONS: 2X SPEAKON NL8 (ELECTRICALLY PARALLEL)
3. GRILLE 16GA PERFORATED CRS. POWDERCOATED BLACK FOAM BACKING.
4. MATERIALS: 18MM BIRCH PLYWOOD AND 18MM LITE-PLY.
5. FINISH: BLACK DURAFLEX.
6. SUSPENSION SYSTEM: JBL PROPRIETARY HINGE-BARS, BALL LOCK PINS AND RIGGING FRAMES.
7. WEIGHT: 79 KG (174 LBS)
8. CENTER OF GRAVITY (CG).

NOTES: (UNLESS OTHERWISE SPECIFIED)

UNCONTROLLED COPY

TOLERANCES (UNLESS OTHERWISE SPECIFIED) XXXX ± 0.031 INCH XXX ± 0.063 INCH XX ± 0.125 INCH ANGULAR ± 30° * DIMENSIONS ARE INCHES DIMO * ALL DIMENSIONS ARE FINISHED DIMENSIONS * DO NOT SCALE DRAWING		JBL Professional A Harman International Company Northridge, California 91329, U.S.A. TITLE CUSTOMER DWG - VT4889-1 Dwg No. 365255 Rev A	
Scale: 1:4	Sheet: 1 of 1		