

Technical Manual



JBL VLA901H

SPECIFICATIONS

ACOUSTIC & ELECTRICAL SPECIFICATIONS:

- Frequency Response: 58 Hz – 12 kHz (± 3 dB)
- Frequency Range: 42 Hz – 15 kHz (-10 dB)
- Horizontal Coverage: 90°
- Vertical Coverage: Varies with array size and configuration
- Directivity Factor (Q): 20
- Directivity Index (DI): 13 dB
- System Power Ratings (AES): LF: 1600 W (6400 W Peak, 2 hrs. 1200 W (4800 W peak), 100 hrs.
MF: 1400 W (5600 W peak), 100 hrs.
HF: 450 W (1800 W peak), 2 hrs.
- Max. Peak Output: LF: 131 dB SPL continuous average
MF: 139 dB SPL continuous average
HF: 142 dB SPL continuous average

TRANSDUCER SECTION:

- Cabinet: (Not For Sale)
- Grille: 361798-001
- Low Frequency Driver: 2 x 2226HPL 380 mm (15 in) driver with 100 mm (4 in) voice coil
- DC Resistance: 5 ohms $\pm 10\%$
- Sensitivity (1 w @ 1 m): 99 dB SPL

TRANSDUCER SECTION CONT'D:

- Mid Frequency Driver: 4 x 2169H 200 mm (8 in) cone midrange compression driver with dual 75 mm (3 in) voice coil 339111-001X
- DC Resistance: 5 ohms $\pm 10\%$
- Sensitivity (1 w @ 1 m): 108 dB SPL
- High Frequency Driver: 6 x 2431H 38 mm (1.5 in) exit compression driver with 75 mm (3 in) voice coil; 339894-001X
- DC Resistance: 4 ohms $\pm 10\%$
- Sensitivity (1 w @ 1 m): 115 dB SPL

AURAL SWEEP TEST SPECIFICATIONS:

- A. L.F. Aural Sweep Test: 10V Input, 10 Hz to 300 Hz
- B. M.F. Aural Sweep Test: 7V Input, 100 Hz to 3 kHz
- C. H.F. Aural Sweep Test: 2V Input, 1 kHz to 20 kHz

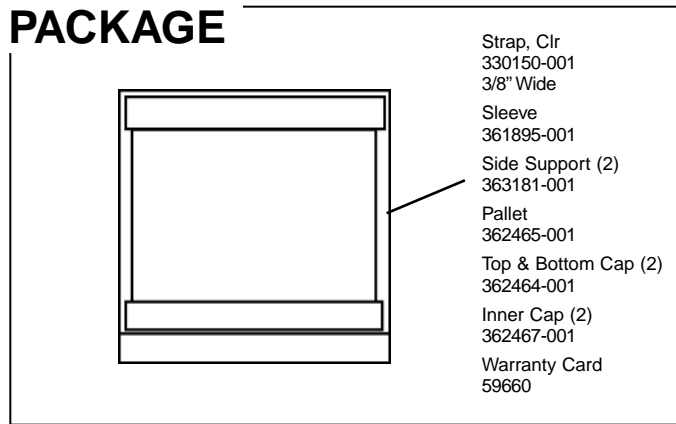
PHYSICAL SPECIFICATIONS:

- Enclosure Dimensions: 533 mm x 1351 mm x 640 mm D (21.0 in. x 53.2 in. x 25.2 in. D)
- Net Weight: 109 kg (241 lb)

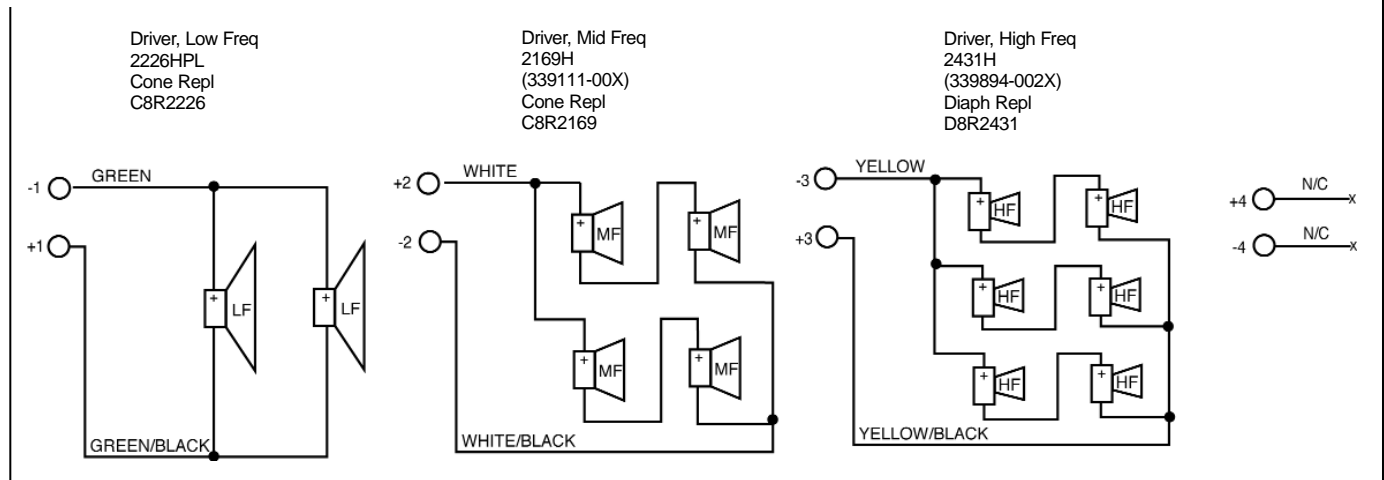
WARRANTY INFORMATION:

- Refer to Warranty Statement packed with each product.

PACKAGE



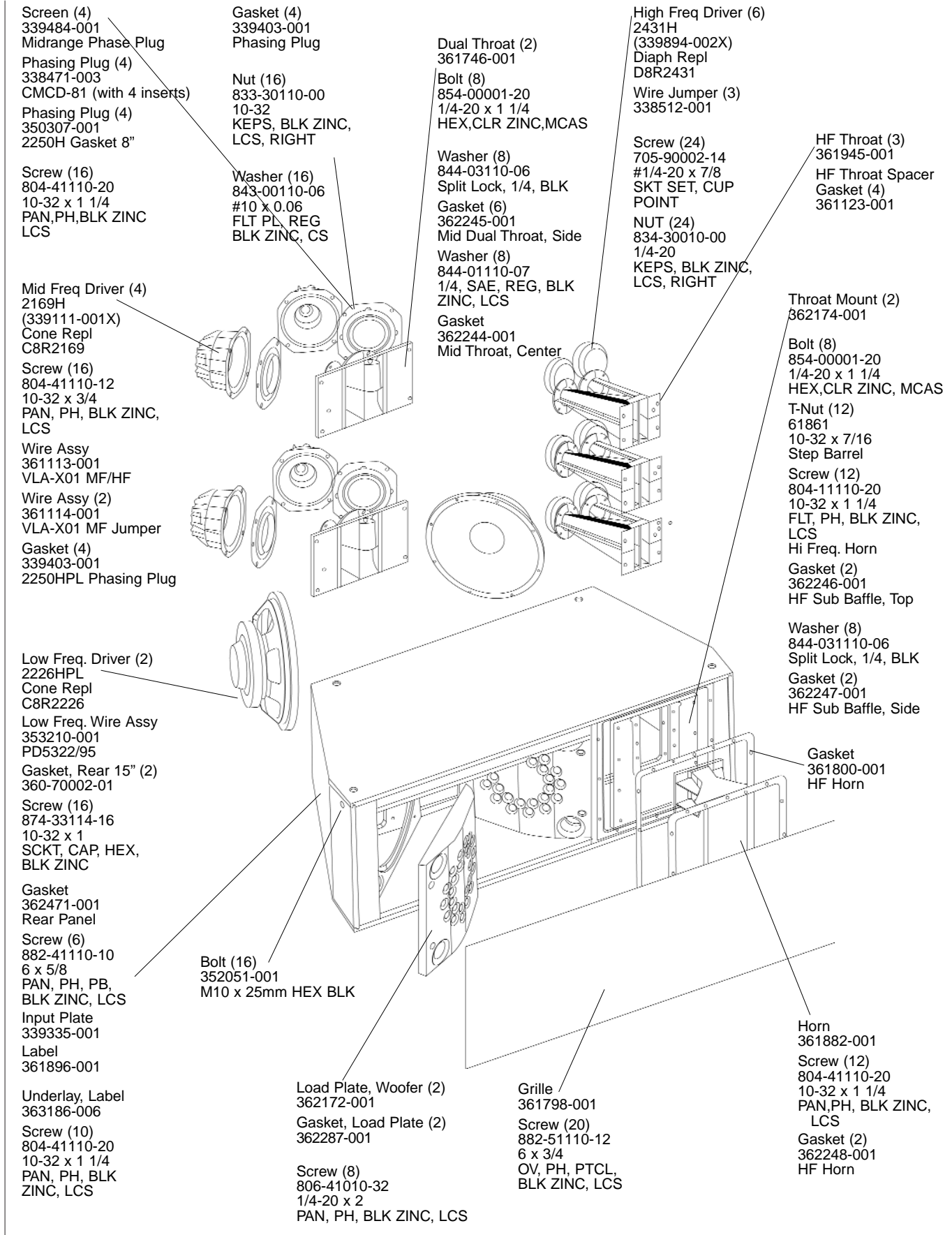
WIRING DIAGRAM



JBL VLA901H REV1

JBL VLA901H

COMPONENT EXPLODED VIEW



JBL VLA901H