

Technical Manual



JBL VLA301

SPECIFICATIONS

ACOUSTIC & ELECTRICAL SPECIFICATIONS:

- Frequency Response: 58 Hz – 12 kHz (± 3 dB)
- Frequency Range: 42 Hz – 15 kHz (-10 dB)
- Horizontal Coverage: 30°
- Vertical Coverage: Varies with array size and configuration
- Directivity Factor (Q): 100
- Directivity Index (DI): 20 dB
- System Power Ratings (AES): LF: 1600 W (6400 W Peak, 2 hrs.
1200 W (4800 W peak), 100 hrs.
MF: 700 W (2800 W peak), 100 hrs.
HF: 225 W (900 W peak), 2 hrs.
- Max. Peak Output: LF: 132 dB SPL continuous average
MF: 139 dB SPL continuous average
HF: 144 dB SPL continuous average

TRANSDUCER SECTION:

- Cabinet: (Not For Sale)
- Grille: 361798-001
- Low Frequency Driver: 2 x 2226HPL 380 mm (15 in) driver with 100 mm (4 in) voice coil
- Nominal Impedance: 4 ohms
- Sensitivity (1 w @ 1 m): 100 dB SPL

- Mid Frequency Driver: 2 x 2169H 200 mm (8 in) cone midrange compression driver with dual 75 mm (3 in) voice coil 339111-001X
- Nominal Impedance: 4 ohms
- Sensitivity (1 w @ 1 m): 111 dB SPL
- High Frequency Driver: 3 x 2431H 38 mm (1.5 in) exit compression driver with 75 mm (3 in) voice coil 339894-002X
- Nominal Impedance: 16 ohms
- Sensitivity (1 w @ 1 m): 120 dB SPL

AURAL SWEEP TEST SPECIFICATIONS:

- A. L.F. Aural Sweep Test: 10V Input, 10 Hz to 300 Hz
- B. M.F. Aural Sweep Test: 7V Input, 100 Hz to 3 kHz
- C. H.F. Aural Sweep Test: 2V Input, 1 kHz to 20 kHz

PHYSICAL SPECIFICATIONS:

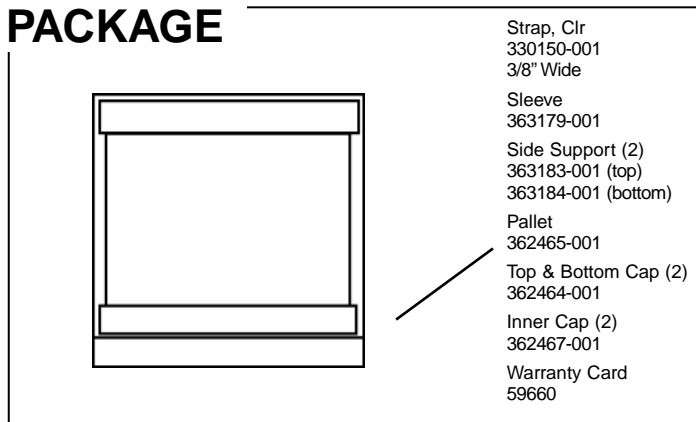
- Enclosure Dimensions: 533 mm x 1351 mm x 1384 mm D (21.0 in. x 53.2 in. x 54.5 in. D)
- Net Weight: 140 kg (309 lb)

WARRANTY INFORMATION:

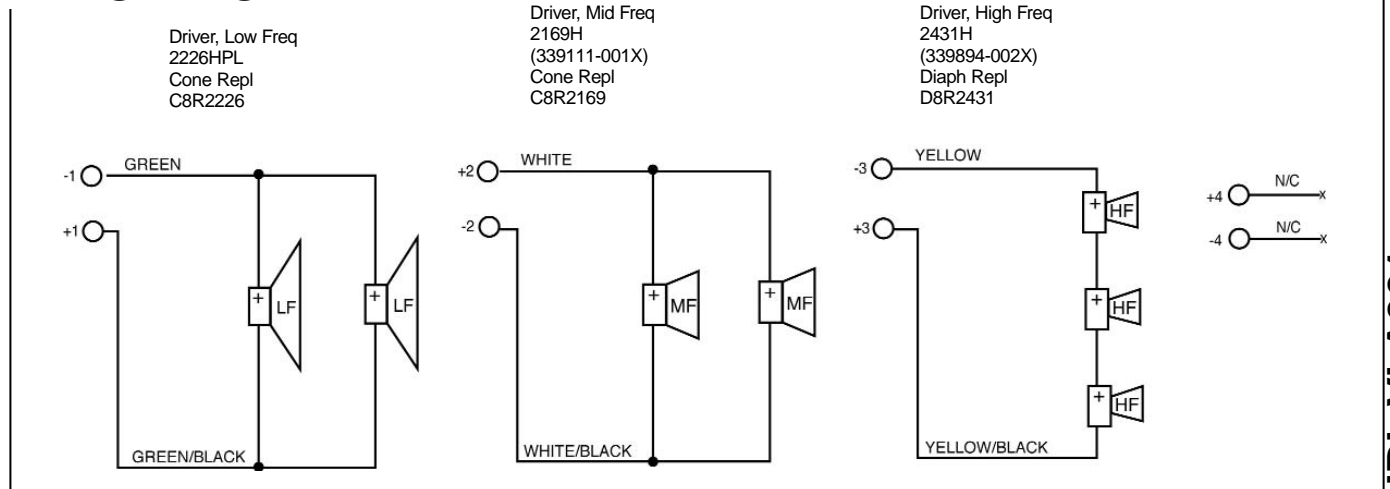
- Refer to Warranty Statement packed with each product.

TRANSDUCER SECTION CONT'D:

PACKAGE



WIRING DIAGRAM



JBL VLA301

COMPONENT EXPLODED VIEW

Gasket (2)
2250HLP
339403-001
Phasing Plug
Screen (2)
339484-001
Midrange Phase Plug
Phasing Plug (2)
338471-003
(with 4 inserts)
Phasing Plug (4)
350307-001
2250H Gasket 8"

Screw (8)
804-41110-20
10-32 x 1 1/4
FLT, PH, BLK ZINC
LCS
Nut (8)
833-30110-00
10-32, KEPS, BLK
ZINC, LCS, RIGHT

Washer (8)
843-00110-06
#10 x .06, FLT PL,
REG BLK ZINC, CS

Low Frequency
Driver (2)
2226HPL
Cone Repl
C8R2226

Low Frequency
Wire Assy
353210-002
Gasket, Rear 15" (2)
360-70002-01
Screw (16)
874-33114-16
10-32 x 1
SCKT, CAP, HEX, BLK
ZINC

T-Nut (16)
350840-001
10-32 x 5/16

Screw (6)
882-41110-10
6 x 5/8
PAN, PH, PB, BLK ZINC,
LCS

Input Plate, NL8
339335-001

Label
361896-001

Underlay, Label
363186-001

Gasket
362469-001
Rear Panel

Screw (10)
804-41110-20
10-32 x 1 1/4
PAN, PH, BLK ZINC, LCS

Mid Freq Driver (2)
2169H
(339111-001X)
Cone Repl
C8R2169
Screw (8)
804-41110-12
10-32 x 3/4, PAN, PH,
BLK ZINC, LCS
Wire Assy
362970-001
VLA MF/HF

Single Throat (2)
361857-001
Bolt (16)
854-00001-20
1/4-20 x 1 1/4,
HEX, CLR
ZINC, MCAS
Washer (20)
844-03110-06
Split Lock, 1/4 BLK
Gasket (6)
362245-001
Mid Dual Throat, Side
Washer (8)
844-01110-07
1/4, SAE, REG, BLK
ZINC, LCS
Gasket
362244-001
Mid Throat, Center

Wire Jumper (2)
338512-001
High Freq Driver (3)
2431H
(339894-002X)
Diaph Repl
D8R2431
Screw (12)
705-90002-14
#1/4-20 x 1
SKT SET, CUP
POINT
NUT (12)
834-30010-00
1/4-20
KEPS, BLK ZINC,
LCS, RIGHT

Horn (3)
337055-001
Gasket (4)
359-00225-00
HF Horn Center
Bolt (12)
854-00003-08
1/4-20 x 1/2
HEX, CLR ZINC,
MCAS
Washer (12)
844-01110-06
Split Lock, 1/4 BLK

Bracket (2)
362339-001
Throat Mount
Screw (8)
804-11110-16
10-32 x 1
FLT, PH, BLK
ZINC, LCS

Throat Mount
362338-001
Screw (8)
806-41010-20
1/4-20 x 1 1/4
PAN, PH, BLK
ZINC, LCS

Gasket
361800-001
HF Horn

Horn
362628-001
Gasket (2)
364834-001
HF Horn
Screw (12)
804-41110-20
10-32 x 1 1/4
FLT, PH, BLK ZINC,
LCS

Panel (2)
361597-001
Load Plate

Gasket (2)
362317-001
Load Plate

Screw (8)
806-41010-32
1/4-20 x 2
PAN, PH, BLK ZINC,
LCS

Grille
361798-001
Screw (24)
882-51110-12
6 x 3/4
OV, PH, PTCL,
BLK ZINC, LCS

