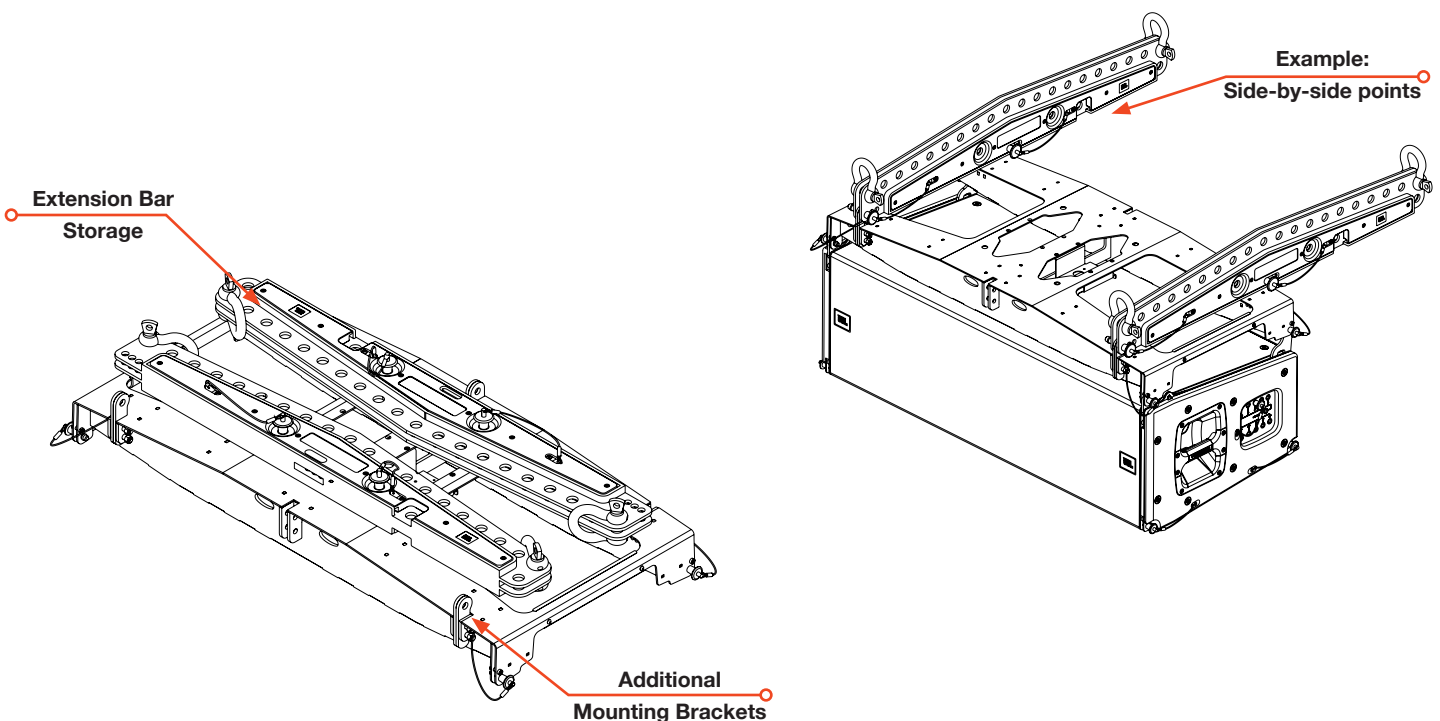


HIGHLIGHTS

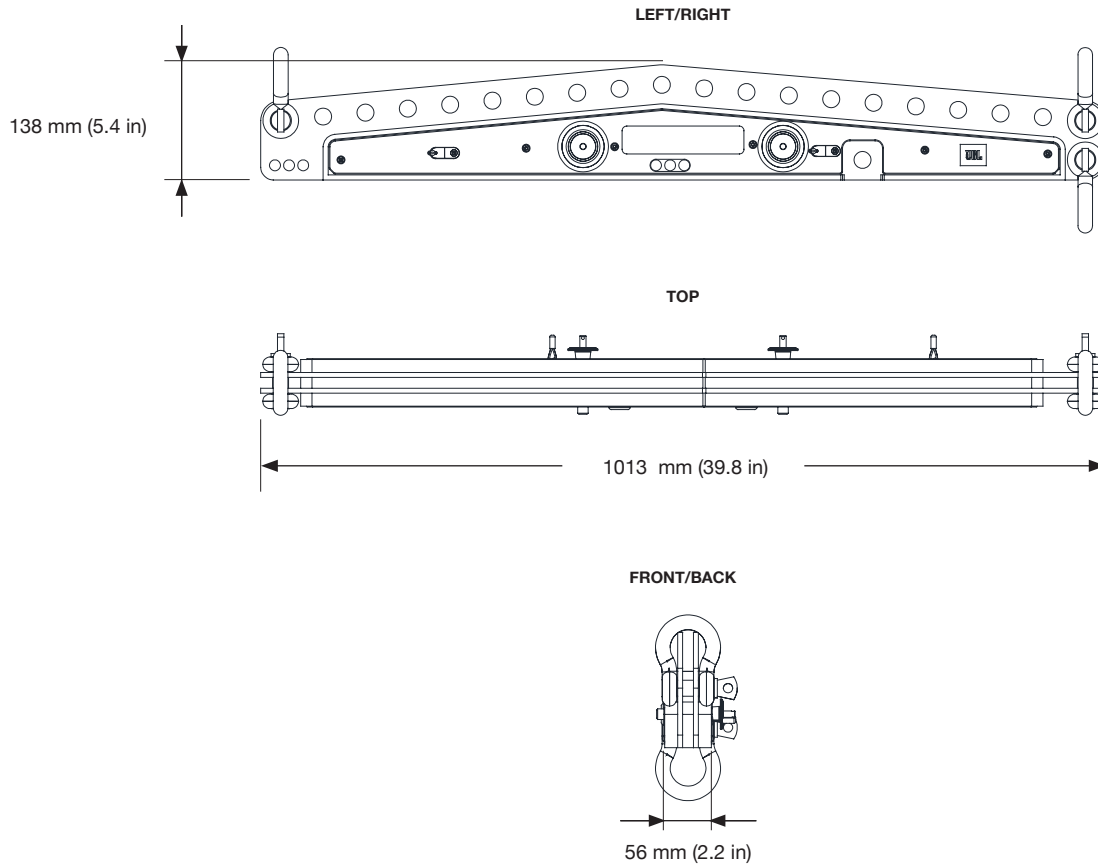
- Extension Bar for use with the A12 Array Frame
- Three 5/8-inch shackles included
- Lightweight design
- Includes brackets and hardware for side-by-side suspension
- Compatible with the original VTX A12 AF

DESCRIPTION

The VTX A12 AF EB MKII Extension Bar is designed for use with the VTX A12 AF MKII Array Frame. Compatible with 5/8-inch shackles, the Extension Bar can be positioned at the front or rear of the frame to accommodate both up-tilt and down-tilt aiming requirements. Up to two Extension Bars can be stored above the main frame for transportation. Three attachment positions are available for connecting the Extension Bar to the Array Frame, enabling precise shackle positioning in single-point applications. One VTX A12 AF EB MKII Extension Bar is included with each Array Frame, and additional Extension Bars can be purchased for side-by-side suspension applications. All brackets and hardware required to attach a second Extension Bar to the Array Frame are included. The VTX A12 AF EB MKII is fully compatible with the original VTX A12 AF. For more information on Array Frame configurations and use cases, refer to the **VTX A12 and VTX B35 Rigging Manuals**.



DIMENSIONS



TECHNICAL SPECIFICATIONS

PHYSICAL

Construction : High-grade steel with anti-corrosion coating, plastic side covers

Finish : Black powder coat

Compatible Shackle Size : 16 mm (5/8 in)

Mechanical Limits¹ : Check spec sheet and documentation for VTX A12 AF MKII

Dimensions (H x W x D)² : 138 mm x 1013 mm x 56 mm
(5.4 in x 39.8 in x 2.2 in)

Net Weight³ : 13.6 kg (30 lb)
Shipping Weight : 20 kg (40 lb)

ORDERING INFORMATION

SKU : JBL-P3712MX | VTX A12 AF EB MKII

Included : (1) VTX A12 AF EB MKII | (4) Attachment Bracket Sets and Hardware | (3) 5/8-inch Shackles #5044448 |

Footnotes:

1: For Extension Bar mechanical limits, refer to the **VTX A12 AF MKII Spec Sheet** and the **VTX A12 and VTX B35 Rigging Manuals**. Always check mechanical safety with JBL Venue Synthesis software before use.

2: Refer to the 2D and 3D Customer Drawings for more detailed dimensions.

3: Array Frame, shackles and other rigging parts not included.

JBL continually engages in research related to product improvement. Some materials, production methods and design refinements are introduced into existing products without notice as a routine expression of that philosophy. For this reason, any current JBL product may differ in some respect from its published description, but will always equal or exceed the original design specifications unless otherwise stated.