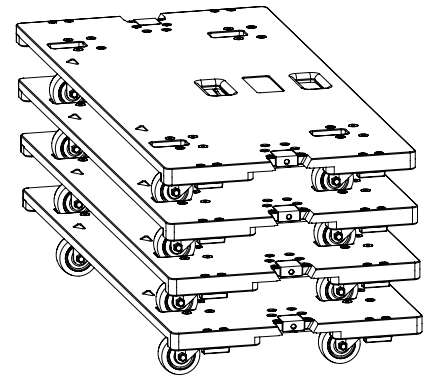
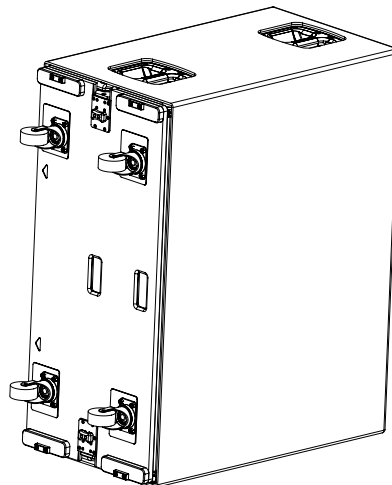
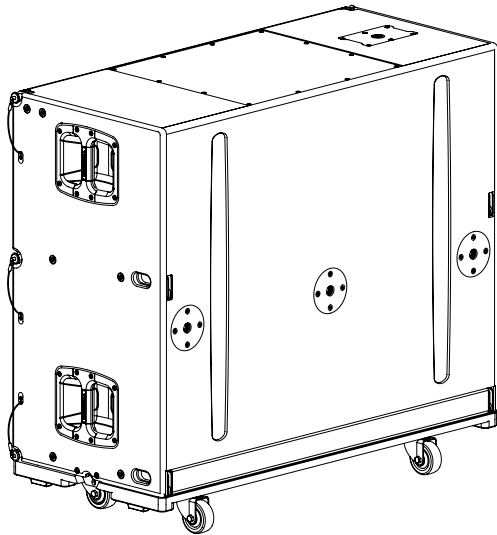


HIGHLIGHTS

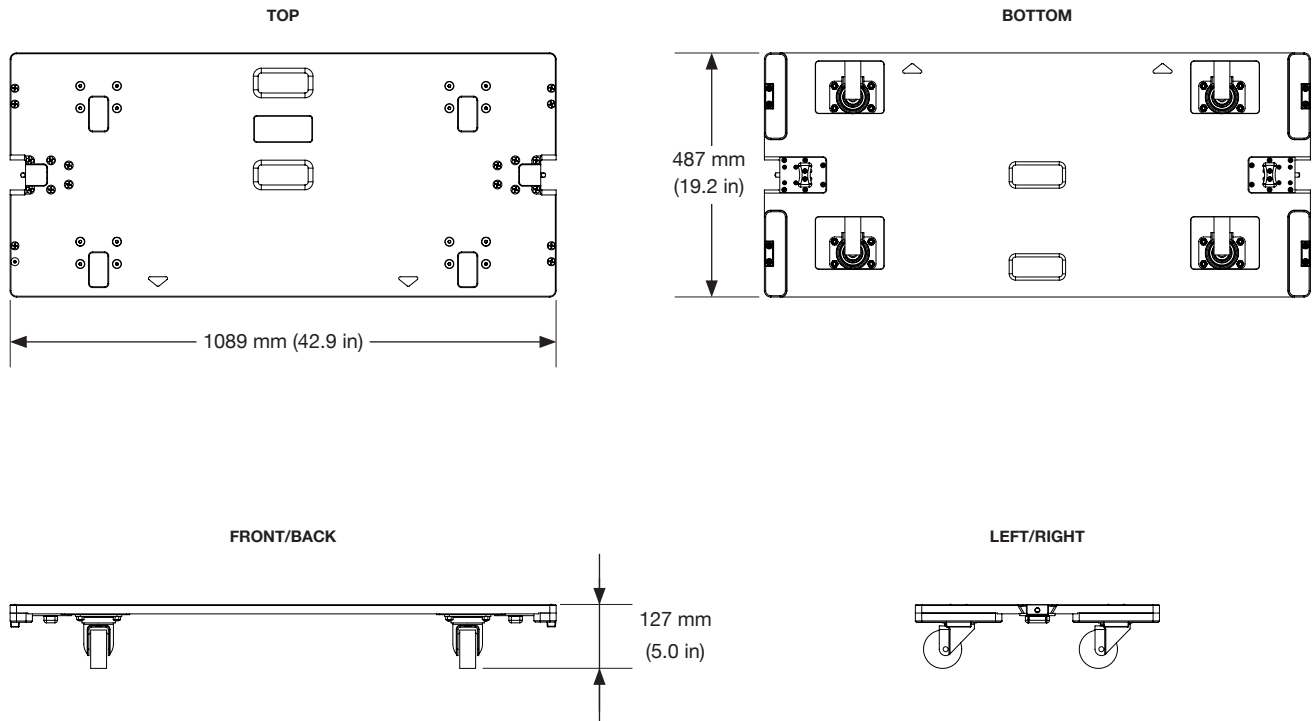
- Front-face dolly and protective cover for VTX B35
- Cover includes handle cutouts and a rear-panel access flap
- Heavy-duty tour-grade casters
- Stackable design for convenient storage
- Spring-loaded release mechanisms
- Compatible with VTX B35 and VTX B35G

DESCRIPTION

The VTX B35 ACC is an accessory kit for the transportation and protection of a single VTX B35 or VTX B35G enclosure. The kit includes a padded, reinforced protective cover with handle cutouts and a rear-panel access flap, as well as a dolly caster board with rugged, tour-grade casters and spring-loaded mechanisms for secure attachment to the B35 enclosure. The dolly features carrying handles and integrated stacking features for easy handling and storage. For more information on the VTX B35 ACC and its applications, refer to the **VTX B35 User and Rigging Manuals**.



DIMENSIONS



TECHNICAL SPECIFICATIONS

PHYSICAL

Construction

- Board:** Exterior grade plywood
- Hardware:** Stainless steel/zinc-plated steel, aluminum

Finish

- Board:** Black DuraFlex™ finish

Dimensions (H x W x D)¹: 127 mm x 1089 mm x 487 mm
(5.0 in x 42.9 in x 19.2 in)

Net Weight²: 14 kg (31 lb)
Shipping Weight: 23.1 kg (51 lb)

ORDERING INFORMATION

SKU: JBL-P3646MX | VTX B35 ACC

Included: (1) Caster board | (1) VTX B35 CVR

Footnotes:

- 1: Refer to the 2D and 3D Customer Drawings for more detailed dimensions that include the B35 attached to the caster board.
- 2: Weight includes caster board and soft cover.

JBL continually engages in research related to product improvement. Some materials, production methods and design refinements are introduced into existing products without notice as a routine expression of that philosophy. For this reason, any current JBL product may differ in some respect from its published description, but will always equal or exceed the original design specifications unless otherwise stated.